

# SE PT Accessory Installation Manual

## SEGCESSORIES



## SEG SOLUTIONS

Manuel d'installation des accessoires • Manuale di installazione accessori PT SE • SE PT Installationshandbuch für Zubehörteile • Manual de instalación de accesorios del transportador SE PT • SE PT アクセサリ取り付けマニュアル • SE PT 附件安装手册

**SEGWAY**

# Table of Contents

Table des matières • Sommario • Inhaltsverzeichnis •  
Contenidos • 目次 • 目录

English.....	2
Français.....	17
Italiano.....	32
Deutsch.....	47
Español.....	62
日本語.....	77
中文.....	92

Safety.....	3
i2 SE Lower Cargo Frame.....	4
x2 SE Side Cargo Frame.....	5
Cargo Clamps and Cargo Rack (i2 SE).....	6
Cargo Rack (x2 SE).....	7
Waterproof Cargo Case Set and Quick Release Mount.....	8
Open-Top Storage Bin Set and Quick Release Mount.....	9
Standard Front Case/Power-Pack Front Case.....	10
Handlebar Accessory Mount Base.....	11
Articulating Smart Phone Holder Mount.....	12
Articulating Tablet Holder Mount.....	13
Clipboard Case with Articulating Mount.....	14
Universal Water Bottle Mount.....	15

# Safety

## WARNING

- All riders should read all instructions in these user materials. Failure to adhere to these warnings could lead to serious injury, death, or damage to property.
- These installation instructions are in addition to the Segway Personal Transporter (PT) User Manual and Safety Video provided with your Segway PT. Be sure to read and understand the User Manual and watch the Safety Video before riding your PT.
- Always shut down your PT and unplug the AC Power Cord before performing any maintenance or installing any part or accessory.
- Carrying cargo in the bins or cases will change the behavior of the Segway PT. The greater the weight, the more the change. You should acquaint yourself with these changes while riding at slow speeds.
- The Waterproof Cargo Case Set and Open-Top Storage Bin Set may reduce the rider's range of movement, increase the total width of the PT, and reduce the rider's ability to lean into turns and/or lean uphill to maintain lateral stability. This may increase the risk of collision, and/or prevent the rider from dismounting to the sides in the event of a fall, collision, loss of traction, Safety Shutdown, or other emergency. The increased total width of the PT fitted with these accessories will make it more difficult to fit through doorways and may increase the risk of a fall, collision, or loss of traction caused by bumping into other objects. For these reasons, riding a PT with these accessories may increase risk of injury.
- When riding a PT with accessories installed, riders must be especially careful to avoid slippery surfaces and obstacles, not ride on steep slopes, and not take fast turns.
- Do not use the Segway parking stand when these accessories are installed. The Segway parking stand is designed to support an unloaded PT only and will not support the PT with accessories installed.
- Do not sit or stand on cargo frames, plates, cases, or bins. Do not place children or pets in open bins, cargo cases or on cargo frames.
- Never let go of a PT in Balance Mode, because the PT will travel some distance on its own, risking injury or damage.
- Use only Segway-approved parts, fasteners, and accessories, and tighten to the prescribed torque.
- Be sure to periodically check the tightness of all fasteners.

## WARNING

You should check to make sure the combined weight of the rider plus all accessories and cargo carried by the rider or on the PT does not exceed 260 lbs. Exceeding the following weight limits, especially when riding on slopes or uneven surfaces, increases the risk of falling and risk of injury.

### Weight Limits:

- Maximum total payload (weight of rider plus all cargo): **260 lbs (118 kg)**
- Maximum total payload on Lean Steer (including Front Case, any cargo, and phone/tablet/clipboard holder): **12 lbs (5.4 kg)**
- Maximum total payload mounted to each Cargo Frame: **15 lbs (6.8 kg)**

### Maximum Allowable Cargo Weight (to be placed in/on each accessory):

- Standard Front Case: 7.4 lbs (3.4 kg)
- Power-Pack Front Case: 5.4 lbs (2.5 kg)
- Waterproof Cargo Case Set: 7.1 lbs (3.2 kg)
- Open-Top Storage Bin Set: 10.1 lbs (4.6 kg)
- Smart Phone Holder Mount: 0.5 lbs (0.23 kg)
- Tablet Holder Mount: 1 lbs (0.45 kg)
- Clipboard Case/Mount: 1 lbs (0.45 kg)
- Universal Water Bottle Mount: 2.7 lbs (1.23 kg)

# i2 SE Lower Cargo Frame

20412-00001

## Tools required

- 4 mm hex wrench
- Torque wrench

## Parts

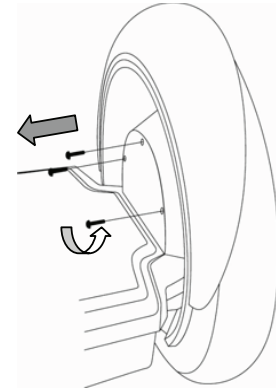
- (2) i2 SE Lower Cargo Frame
- (6) 28 mm hex fastener
- (6) Flat washer

## IMPORTANT

Be sure to read and understand all warnings (p. 3) at the beginning of this Installation Manual.

## Installation

1. ⚠ Make sure the PT is powered off and unplugged.
2. Using a 4 mm hex wrench, remove the three fasteners that attach each Gearbox Cover and put them in a safe place. See **Figure 1**.
3. Position the i2 SE Lower Cargo Frame so it aligns with the holes in the Gearbox Cover.
4. Thread three of the included 28 mm fasteners through three of the included flat washers, the i2 SE Lower Cargo Frame, the Gearbox Cover, and into the Gearbox. Torque the fasteners to **6.0 N-m (4.4 ft-lbf)**. See **Figure 2**.



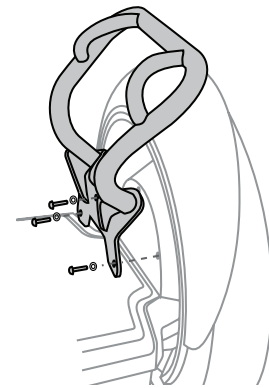
**Figure 1. Remove Gearbox Cover**

## Removal

1. ⚠ Make sure the PT is powered off and unplugged.
2. Remove the i2 SE Lower Cargo Frame in the reverse order of the above procedure.

## NOTE

Refer to the **Weight Limits** and **Maximum Allowable Cargo Weight** sections (p. 3) before using this accessory.



**Figure 2. Install i2 Lower Cargo Frame**



# x2 SE Side Cargo Frame

24018-00001

Tools required
<ul style="list-style-type: none"><li>• 4 mm hex wrench</li><li>• Torque wrench</li></ul>

Parts
(1) x2 SE Side Cargo Frame

## IMPORTANT

Be sure to read and understand all warnings (p. 3) at the beginning of this Installation Manual.

### Remove the x2 SE Fender/Frame assembly:

1. ⚠ Make sure the Segway PT is unplugged and powered off.
2. Remove the three 28 mm fasteners using a 4 mm hex wrench and put them in a safe place (see **Figure 3**).
3. Lift off the Fender and Frame assembly and clean all debris from the mounting surfaces.
4. To remove the Fender from the Fender Frame, remove the four 18 mm fasteners using a 4 mm hex wrench (see **Figure 4**).

### Install the x2 SE Side Cargo Frame:

1. ⚠ Make sure the Segway PT is unplugged and powered off.
2. Thread the four 18 mm fasteners through the fender and into the Side Cargo Frame. Using a 4 mm hex wrench, tighten the fasteners until seated. Continue to tighten one-half to one full turn.
3. Thread the three 28 mm long fasteners through the Fender and Frame assembly into the gearbox cover on the PT.
4. Using a 4 mm hex wrench, torque to **6.0 N-m (4.4 ft-lbf)**.

#### NOTE

Refer to the **Weight Limits** and **Maximum Allowable Cargo Weight** sections (p. 3) before using this accessory.

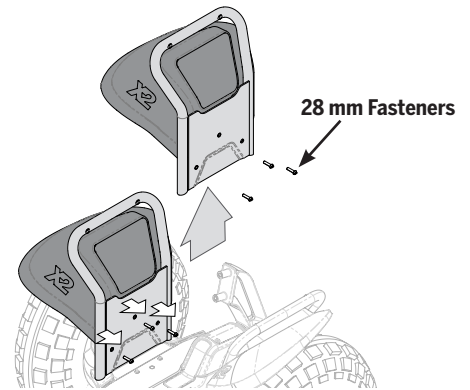


Figure 3. Remove x2 SE Fender Frame

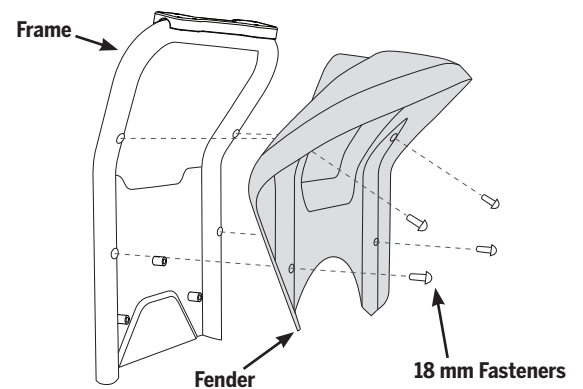


Figure 4. Install Fender to x2 SE Side Cargo Frame

# Cargo Clamps and Cargo Rack (for i2 SE model)

24078-00001 (Cargo Clamps), 24042-00001 (Cargo Rack)

Tools required
<ul style="list-style-type: none"><li>• 4 mm hex wrench</li><li>• Torque wrench</li></ul>

Parts	
(4) i2 SE Cargo Clamp	(2) Quick Release Knob
(16) 35 mm hex fastener	(4) 16 mm hex fastener
(2) Cargo Rack	(4) Nyloc nut
(12) Rubber Grommet	

## IMPORTANT

Be sure to read and understand all warnings (p. 3) at the beginning of this Installation Manual.

## Installation

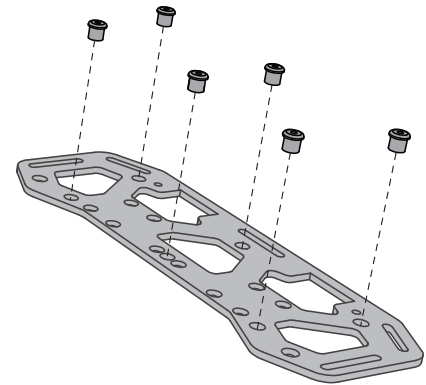
- ⚠ 1. Make sure the PT is powered off and unplugged.
2. Install six Rubber Grommets to each Cargo Rack as shown in **Figure 5**.
3. Install one Quick Release Knob to each Cargo Rack using two 16 mm fasteners and two Nyloc nuts, as shown in **Figure 6**. Torque the fasteners to **6.0 N-m (4.4 ft-lbf)**.
4. Position the Cargo Clamps on the i2 SE Lower Cargo Frame as shown. The threaded clamps should be on the underside of the i2 SE Lower Cargo Frame. See **Figure 7**.
5. Position the Cargo Rack so it aligns with the Cargo Clamps as shown in **Figure 7**.
6. Thread eight of the included 35 mm fasteners through the Cargo Rack into the Cargo Clamps. Torque the fasteners to **6.0 N-m (4.4 ft-lbf)**.

## Removal

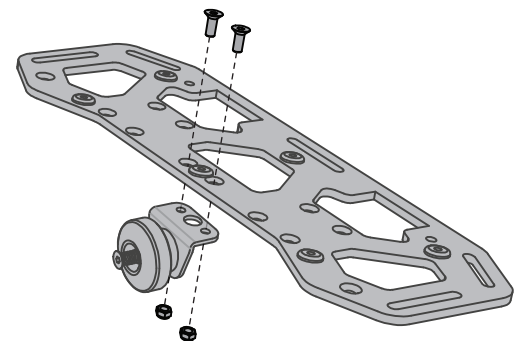
- ⚠ 1. Make sure the PT is powered off and unplugged.
2. Remove the Cargo Rack and Cargo Clamps in the reverse order of the above procedure.

## NOTE

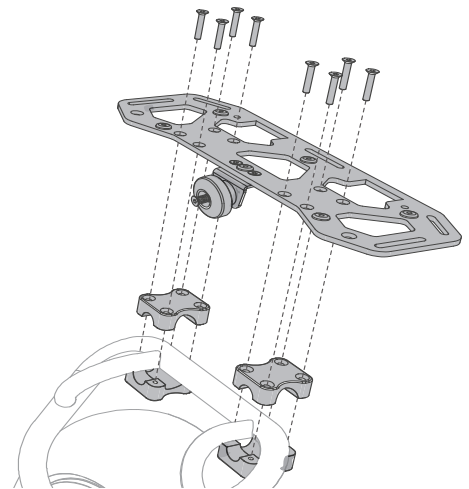
Refer to the **Weight Limits** and **Maximum Allowable Cargo Weight** sections (p. 3) before using this accessory.



**Figure 5. Install Rubber Grommets**



**Figure 6. Install Quick Release Knob**



**Figure 7. Install Cargo Clamps and Cargo Rack**

# Cargo Rack (for x2 SE model)

24042-00001 (Cargo Rack)

## Tools required

- 4 mm hex wrench
- Torque wrench

## Parts

- |                         |                        |
|-------------------------|------------------------|
| (2) Cargo Rack          | (4) 16 mm hex fastener |
| (16) 35 mm hex fastener | (4) Nyloc nut          |
| (12) Rubber Grommet     |                        |
| (2) Quick Release Knob  |                        |

## IMPORTANT

Be sure to read and understand all warnings (p. 3) at the beginning of this Installation Manual.

## Installation

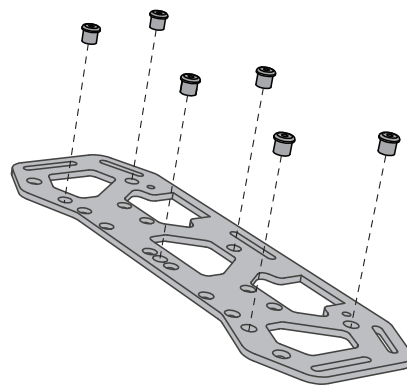
1. ⚠ Make sure the PT is powered off and unplugged.
2. Install six Rubber Grommets to each Cargo Rack as shown in **Figure 8**.
3. Install one Quick Release Knob to each Cargo Rack using two 16 mm fasteners and two Nyloc nuts, as shown in **Figure 9**. Torque the fasteners to **6.0 N-m (4.4 ft-lbf)**.
4. Position the Cargo Rack so it aligns with the Side Cargo Frame as shown in **Figure 10**.
5. Thread eight of the included 35 mm fasteners through the Cargo Rack into the Side Cargo Frame. Torque the fasteners to **6.0 N-m (4.4 ft-lbf)**.

## Removal

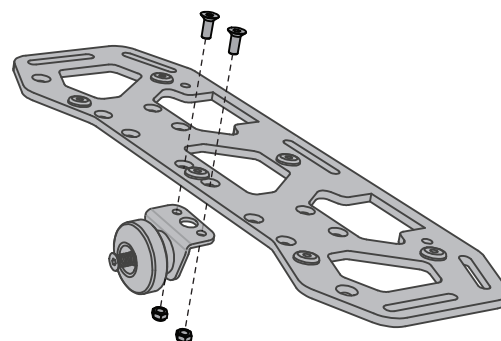
1. ⚠ Make sure the PT is powered off and unplugged.
2. Remove the Cargo Rack in the reverse order of the above procedure.

## NOTE

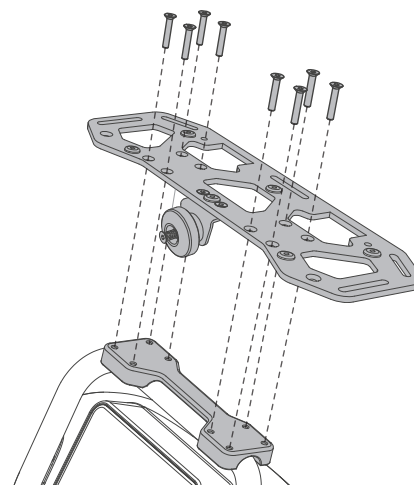
Refer to the **Weight Limits** and **Maximum Allowable Cargo Weight** sections (p. 3) before using this accessory.



**Figure 8. Install Rubber Grommets**



**Figure 9. Install Quick Release Knob**



**Figure 10. Install Cargo Rack**

# Waterproof Cargo Case Set and Quick Release Mount

24044-00001 (Waterproof Cargo Case), 24043-00001 (Quick Release Mount)

Tools required
<ul style="list-style-type: none"><li>• 4 mm hex wrench</li><li>• Torque wrench</li></ul>

Parts	
(2) Waterproof Case	(8) Nyloc nut
(2) Quick Release Mount	(8) Plastic nut cover
(4) Spacer	
(8) 20 mm hex fastener	

## IMPORTANT

Be sure to read and understand all warnings (p. 3) at the beginning of this Installation Manual.

## Installation

1. ⚠ Make sure the PT is powered off and unplugged.
2. Install a Quick Release Mount to each Waterproof Case using four 20 mm fasteners, two spacers (between the mount and case), and four Nyloc nuts, as shown in **Figure 11**. Torque the fasteners to **11.0 N-m (8.1 ft-lbf)**.
3. Install four Plastic nut covers over the four Nyloc nuts.
4. Secure the Waterproof Case to the Cargo Rack using the Quick Release Mount as shown in **Figure 12**.

### NOTE

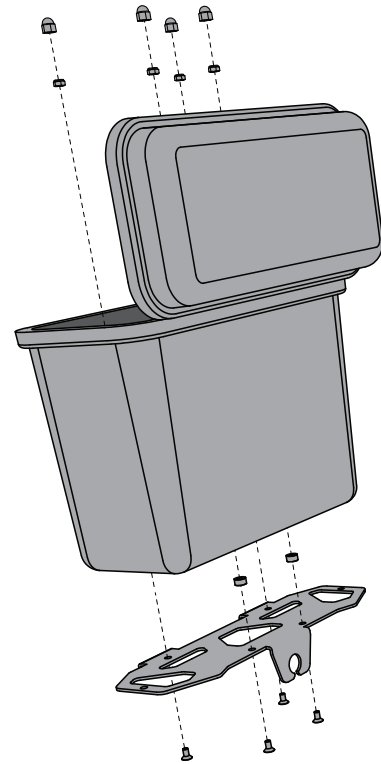
Be sure the Quick Release Mount engages the Quick Release Knob firmly and securely, with an audible “click.”

## Removal

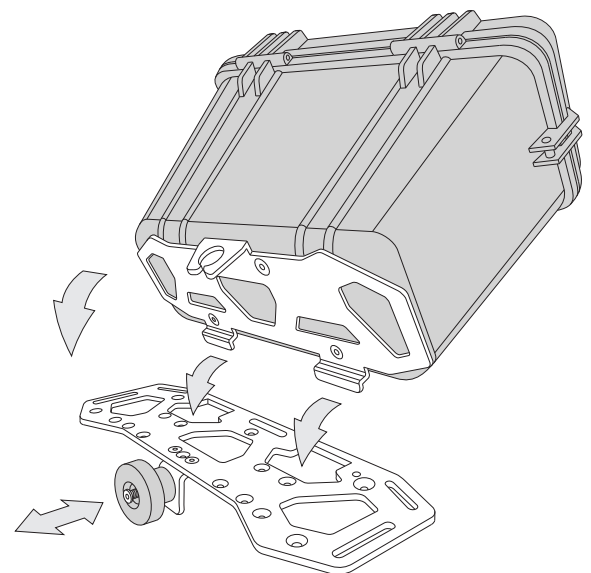
1. ⚠ Make sure the PT is powered off and unplugged.
2. Remove the Waterproof Case from the Cargo Rack by pulling out on the Quick Release Knob, while tilting the Waterproof Case away from the Cargo Rack.

### NOTE

Refer to the **Weight Limits** and **Maximum Allowable Cargo Weight** sections (p. 3) before using this accessory.



**Figure 11. Install Quick Release Mount to Case**



**Figure 12. Secure Waterproof Case to Cargo Rack**

# Open-Top Storage Bin Set and Quick Release Mount

24045-00001 (Open-Top Storage Bin Set), 24043-00001 (Quick Release Mount)

Tools required
<ul style="list-style-type: none"><li>• 4 mm hex wrench</li><li>• Torque wrench</li></ul>

Parts	
(2) Open-Top Storage Bin	(8) Nyloc nut
(2) Quick Release Mount	(8) Plastic nut cover
(8) 12 mm hex fastener	

## IMPORTANT

Be sure to read and understand all warnings (p. 3) at the beginning of this Installation Manual.

## Installation

1. ⚠ Make sure the PT is powered off and unplugged.
2. Install a Quick Release Mount to each Open-Top Storage Bin using four 12 mm fasteners and four Nyloc nuts, as shown in **Figure 13**. Torque the fasteners to **6.0 N-m (4.4 ft-lbf)**.
3. Install four Plastic nut covers over the four Nyloc nuts.
4. Secure the Open-Top Storage Bin to the Cargo Rack using the Quick Release Mount as shown in **Figure 14**.

### NOTE

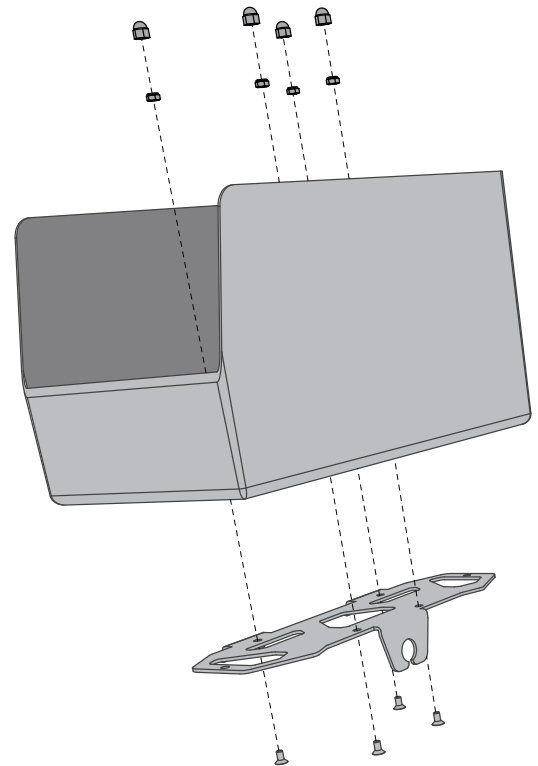
Be sure the Quick Release Mount engages the Quick Release Knob firmly and securely, with an audible “click.”

## Removal

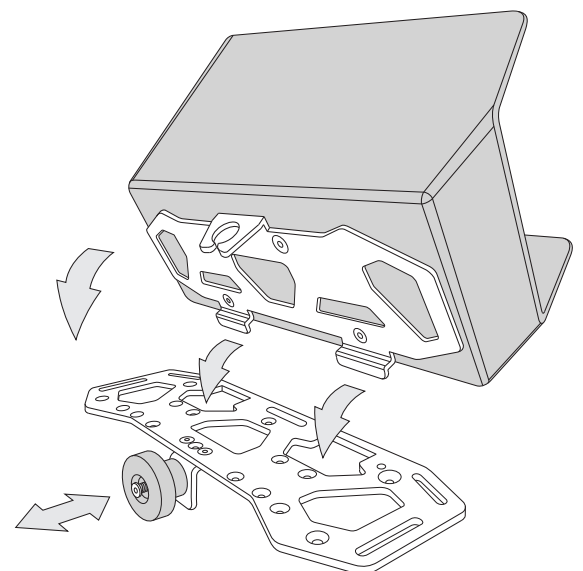
1. ⚠ Make sure the PT is powered off and unplugged.
2. Remove the Open-Top Storage Bin from the Cargo Rack by pulling out on the Quick Release Knob, while tilting the Open-Top Storage Bin away from the Cargo Rack.

### NOTE

Refer to the **Weight Limits** and **Maximum Allowable Cargo Weight** sections (p. 3) before using this accessory.



**Figure 13. Install Quick Release Mount to Bin**



**Figure 14. Secure Open-Top Bin to Cargo Rack**

# Standard Front Case/Power-Pack Front Case

24046-00001 (Standard Front Case), 24047-00001 (Power-Pack Front Case)

Tools required
<ul style="list-style-type: none"><li>• 4 mm hex wrench</li><li>• Torque wrench</li></ul>

Parts	
(1) Front Case	(1) Stabilizer Plate
(2) Lean Steer Mount	
(4) O-ring	
(2) 25 mm hex fastener	

## IMPORTANT

Be sure to read and understand all warnings (p. 3) at the beginning of this Installation Manual.

## Installation

1. ⚠ Make sure the PT is powered off and unplugged.
2. Install the Front Case to the Lean Steer using two 25 mm fasteners, four O-rings (two on each side of the Stabilizer Plate), and two Lean Steer Mounts, as shown in **Figure 15**. Torque the fasteners to **11.0 N-m (8.1 ft-lbf)**.

### NOTE

The Lean Steer mount closest to the rider has chamfered (rounded) edges and threaded holes.

Power-Pack Front Case only: Be sure to install the case where you can reach the light/horn switches without removing your hands from the handlebar.

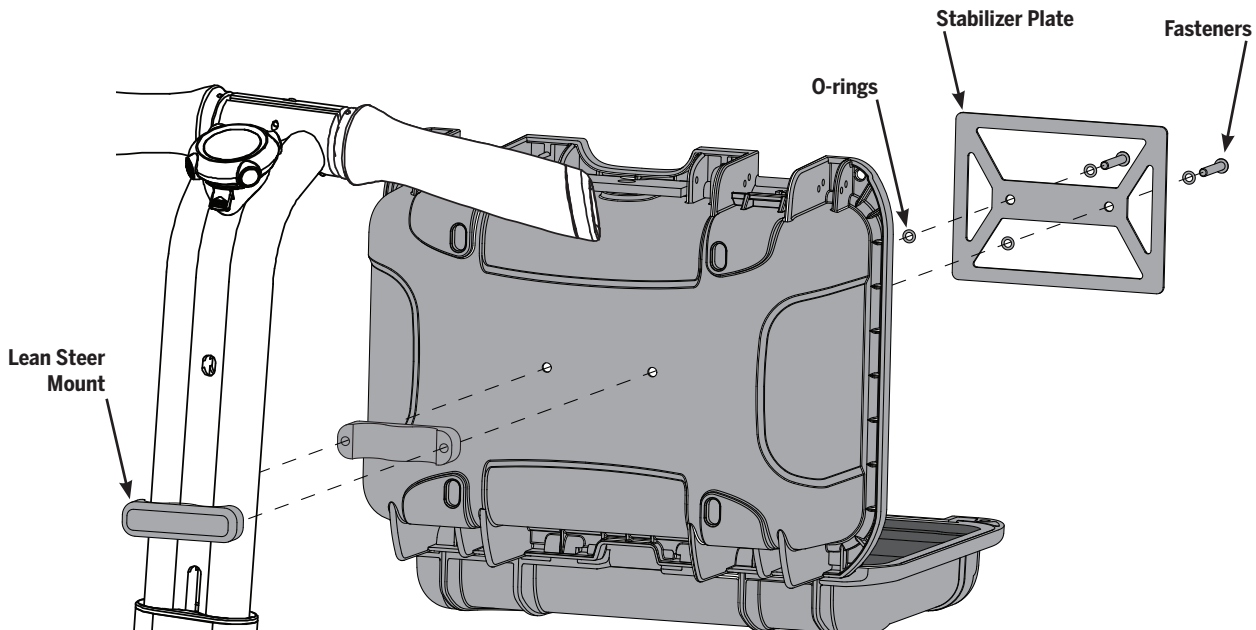
Be sure to periodically check the tightness of all fasteners.

## Removal

1. ⚠ Make sure the PT is powered off and unplugged.
2. Remove the Front Case from the Lean Steer in the reverse order of the above procedure.

### NOTE

Refer to the **Weight Limits** and **Maximum Allowable Cargo Weight** sections (p. 3) before using this accessory.



**Figure 15. Install Front Case to Lean Steer**

# Handlebar Accessory Mount Base

24048-00001

Tools required
<ul style="list-style-type: none"><li>• 4 mm hex wrench</li><li>• Torque wrench</li></ul>

Parts	
(1) Mount Base	(2) Mount Ball w/fastener
(3) 35 mm hex fastener	
(3) Spacer	

## IMPORTANT

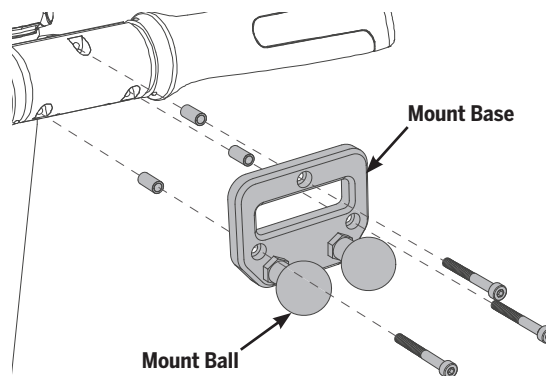
Be sure to read and understand all warnings (p. 3) at the beginning of this Installation Manual.

## Installation

1. ⚠ Make sure the PT is powered off and unplugged.
2. Remove the three standard fasteners from the handlebar.
3. Install the two Mount Balls and fasteners (not shown) to the Mount Base. Torque the fasteners to **6.0 N-m (4.4 ft-lbf)**.
4. Install the Mount Base to the Handlebar using three 35 mm fasteners and three spacers as shown in **Figure 16**. Torque the fasteners to **11.0 N-m (8.1 ft-lbf)**.

## NOTE

Be sure to periodically check the tightness of all fasteners.



**Figure 16. Install Handlebar Accessory Mount Base**

## Removal

1. ⚠ Make sure the PT is powered off and unplugged.
2. Remove the Mount Base from the handlebar in the reverse order of the above procedure.

## NOTE

Refer to the **Weight Limits** and **Maximum Allowable Cargo Weight** sections (p. 3) before using this accessory.

# Articulating Smart Phone Holder Mount

24049-00001

Tools required
• None

Parts
(1) RAM® X-grip Phone Holder
(1) 3-inch extension arm

## IMPORTANT

Be sure to read and understand all warnings (p. 3) at the beginning of this Installation Manual.

## Installation

- ⚠ 1. Make sure the PT is powered off and unplugged.
2. Install the extension arm onto the Phone Holder mounting ball, then mount the Phone Holder and extension arm to one of the mounting balls on the Handlebar Accessory Mount Base.
3. Orient the Phone Holder to your preference, then tighten the extension arm securely.

### NOTE

Be sure to periodically check the tightness of all fasteners and the extensions.

## Removal

1. Loosen the extension arm, then remove the Phone Holder and extension arm from the Handlebar Accessory Mount Base.

### NOTE

Refer to the **Weight Limits** and **Maximum Allowable Cargo Weight** sections (p. 3) before using this accessory.

- ⚠ 1. Do not text while riding. This will interfere with your ability to monitor your surroundings while riding, which can lead to an increased risk of serious injury, death, or damage to property from falls or collisions.

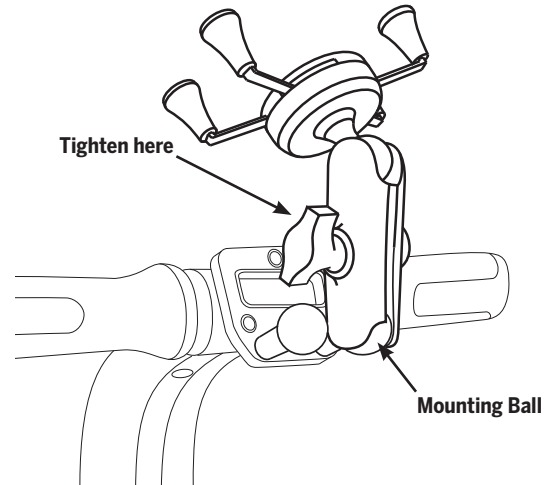


Figure 17. Install Smart Phone Holder



# Articulating Tablet Holder Mount

24052-00001

Tools required
• None

Parts
(1) RAM® X-grip Tablet Holder (1) 5.25-inch extension arm

## IMPORTANT

Be sure to read and understand all warnings (p. 3) at the beginning of this Installation Manual.

## Installation

- ⚠ 1. Make sure the PT is powered off and unplugged.
2. Install the extension arm onto the Tablet Holder mounting ball, then mount the Tablet Holder and extension arm to one of the mounting balls on the Handlebar Accessory Mount Base.
3. Orient the Tablet Holder to your preference, then tighten the extension arm securely.

### NOTE

Be sure to periodically check the tightness of all fasteners and the extensions.

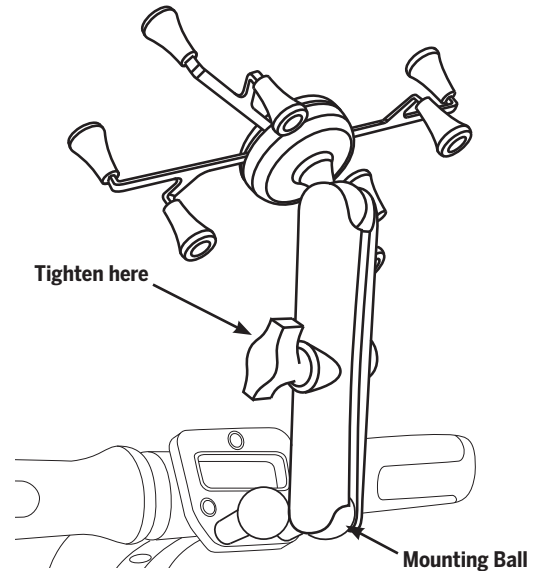
## Removal

1. Loosen the extension arm, then remove the Tablet Holder and extension arm from the Handlebar Accessory Mount Base.

### NOTE

Refer to the **Weight Limits** and **Maximum Allowable Cargo Weight** sections (p. 3) before using this accessory.

- ⚠ 1. Do not use tablet while riding. This will interfere with your ability to monitor your surroundings while riding, which can lead to an increased risk of serious injury, death, or damage to property from falls or collisions.



**Figure 18. Install Tablet Holder**

# Clipboard Case with Articulating Mount

24050-00001

Tools required	Parts
<ul style="list-style-type: none"><li>• 4 mm hex wrench</li><li>• Torque wrench</li></ul>	<ul style="list-style-type: none"><li>(1) Clipboard</li><li>(1) 5.25-inch extension arm</li><li>(1) Base Plate with 1-inch ball</li><li>(3) 16 mm hex fastener</li><li>(3) Nyloc nut</li></ul>

## IMPORTANT

Be sure to read and understand all warnings (p. 3) at the beginning of this Installation Manual.

## Installation

- ⚠ 1. Make sure the PT is powered off and unplugged.
2. Install the Base Plate to the back of the Clipboard as shown in **Figure 19**, using three 16 mm fasteners and three Nyloc nuts. Torque the fasteners to **6.0 N-m (4.4 ft-lbf)**.
3. Install the extension arm onto the Base Plate mounting ball, then mount the Clipboard and extension arm to one of the mounting balls on the Handlebar Accessory Mount Base.
4. Orient the Clipboard to your preference, then tighten the extension arm securely.

## NOTE

Be sure to periodically check the tightness of all fasteners and the extensions.

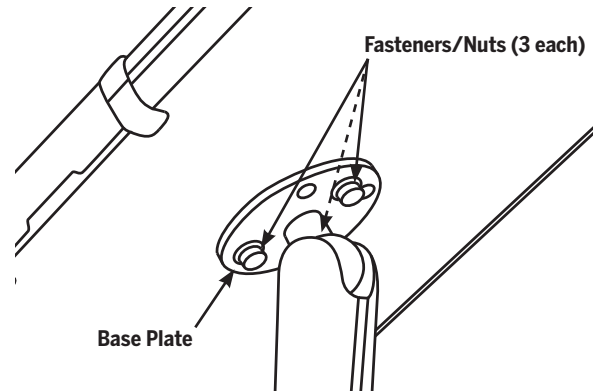
## Removal

1. Loosen the extension arm, then remove the Clipboard and extension arm from the Handlebar Accessory Mount Base.

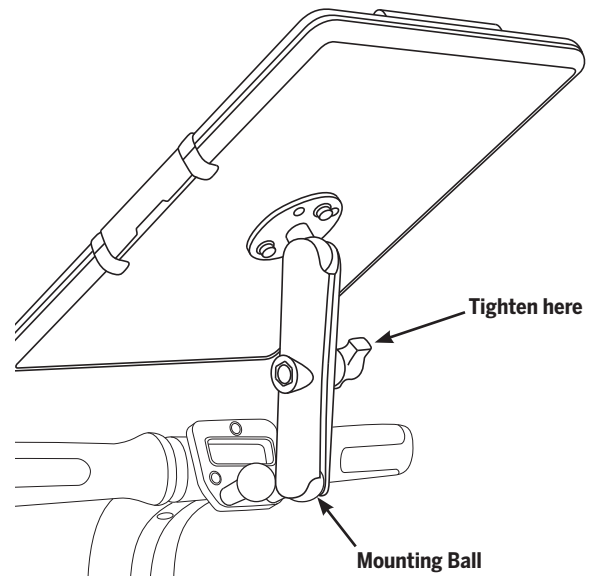
## NOTE

Refer to the **Weight Limits** and **Maximum Allowable Cargo Weight** sections (p. 3) before using this accessory.

- ⚠ Do not read from clipboard while riding. This will interfere with your ability to monitor your surroundings while riding, which can lead to an increased risk of serious injury, death, or damage to property from falls or collisions.



**Figure 19. Install Base Plate to Clipboard**



**Figure 20. Install Clipboard**

# Universal Water Bottle Mount

24051-00001

Tools required
<ul style="list-style-type: none"><li>• 4 mm hex wrench</li><li>• Torque wrench</li><li>• Electric drill</li><li>• 6-8 mm drill bit</li></ul>

Parts
(1) Water Bottle Holder
(2) Velcro strap
(2) 16 mm fastener
(2) Nyloc nut
(2) Sealing washer

## IMPORTANT

Be sure to read and understand all warnings (p. 3) at the beginning of this Installation Manual.

## Installation

- ⚠ 1. Make sure the PT is powered off and unplugged, and the Standard Case or Power-Pack Case is installed on the Lean Steer.
2. Using the Water Bottle Holder as a template, mark two drill locations where you will install the Holder. Using a 6-8 mm drill bit, drill the mounting holes.

### NOTE

Be sure you do not drill into any internal components on the Power-Pack Case.

3. Install the Water Bottle Holder to the Case using the two 16 mm Fasteners, two Sealing Washers, and two Nyloc Nuts as shown in **Figure 21**. Torque the fasteners to **6.0 N-m (4.4 ft-lbf)**.
4. Secure your water bottle to the holder using the two Velcro Straps.

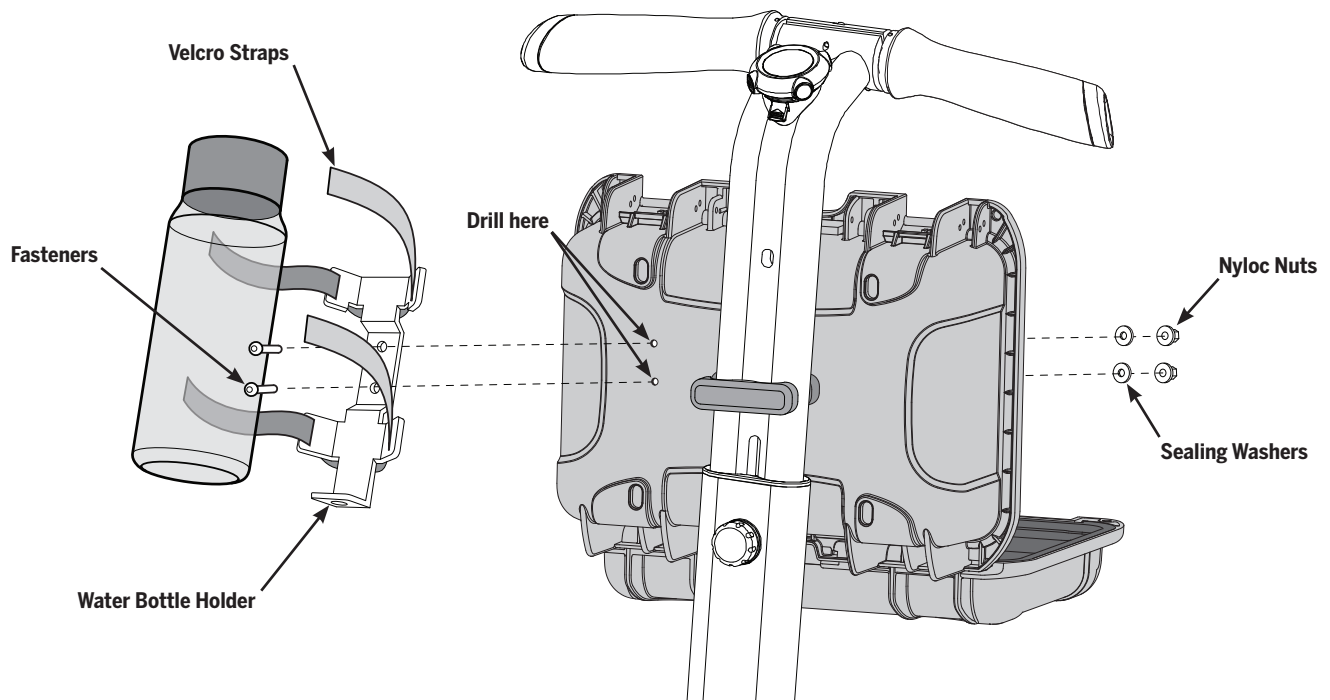
NOTE: Be sure to periodically check the tightness of all fasteners.

## Removal

- ⚠ 1. Make sure the PT is powered off and unplugged.
2. Remove two 16 mm Fasteners that hold the Water Bottle Holder to the Case.
3. To maintain water-tightness, reinstall the two 16 mm Fasteners to the Case with the two Sealing Washers and Nyloc Nuts.

### NOTE

Refer to the **Weight Limits** and **Maximum Allowable Cargo Weight** sections (p. 3) before using this accessory.



**Figure 21. Install Universal Water Bottle Mount**

**QUESTIONS?**

If you are missing a part or have any questions, please contact your local Segway Authorized Dealer. To locate the dealer nearest you, go to [www.segway.com](http://www.segway.com). This document is also available at [www.segway.com](http://www.segway.com).

**LIMITED WARRANTY/GUARANTEE**

The parts listed in this document are "Accessories" covered by the Segway Personal Transporter Limited Warranty/Guarantee (copy delivered with this kit).

# Table des matières

Table of Contents • Sommario • Inhaltsverzeichnis  
Contenidos • 目次 • 目录

English.....	2
Français.....	17
Italiano.....	32
Deutsch.....	47
Español.....	62
日本語.....	77
中文.....	92

Sécurité.....	18
Cadre inférieur de chargement du i2 SE.....	19
Cadre latéral de chargement du x2 SE.....	20
Pinces de chargement et support de chargement (i2 SE).....	21
Support de chargement (x2 SE).....	22
Ensemble boîtier de chargement étanche et support à dégagement rapide.....	23
Ensemble compartiment à partie supérieure ouverte et support à dégagement rapide.....	24
Boîtier avant standard / Boîtier d'alimentation avant.....	25
Socle pour accessoire de guidon.....	26
Socle de fixation articulé pour support de téléphone.....	27
Socle de fixation articulé pour tablette.....	28
Boîtier de bloc note avec fixation articulée.....	29
Support universel pour bouteille d'eau.....	30

# Sécurité

## AVERTISSEMENT

- Les utilisateurs doivent lire les instructions dans ce guide de l'utilisateur. Le non respect de ces avertissements peut entraîner des blessures graves, voire la mort, ou endommager l'équipement.
- Ces instructions d'installation sont en supplément du manuel de l'utilisateur du Segway Personal Transporter (PT) et de la vidéo de sécurité fournie avec votre Segway PT. Assurez-vous d'avoir lu et compris le manuel de l'utilisateur et d'avoir regardé la vidéo de sécurité avant de conduire votre PT.
- Arrêtez toujours votre PT et débranchez le cordon d'alimentation CA avant d'effectuer tout entretien ou d'installer une pièce ou un accessoire.
- Le transport d'un chargement dans le compartiment ou la caisse modifie le comportement de votre Segway PT. Plus le chargement est lourd, plus le changement de comportement est important. Nous vous recommandons de vous familiariser avec ces modifications en conduisant à une vitesse réduite.
- Le boîtier de chargement étanche et le compartiment à partie supérieure ouverte peuvent réduire l'amplitude des mouvements de l'utilisateur, accroître la largeur totale du PT et réduire la capacité de l'utilisateur à se pencher dans les virages et/ou se pencher en avant en montée pour assurer la stabilité latérale de l'appareil. Ceci peut accroître le risque de collision et/ou empêcher l'utilisateur d'enlever les côtés en cas de chute, collision, perte de traction, coupure de sécurité ou toute autre cas d'urgence. La largeur totale accrue du PT doté de ces accessoires accroît la difficulté de passer dans les encadrements de portes et peut augmenter le risque de chutes, de collision, de perte de traction causé par le choc avec d'autres objets. Pour ces raisons, la conduite d'un PT doté de ces accessoires peut accroître le risque de blessures.
- En conduisant un PT doté de ces accessoires, les utilisateurs doivent faire particulièrement attention à éviter les surfaces glissantes et les obstacles, à ne pas conduire sur les pentes raides et à ne pas prendre des virages à grande vitesse.
- N'utilisez pas la béquille de stationnement Segway quand ces accessoires sont installés. La béquille de stationnement Segway est conçue pour supporter un PT déchargé mais ne peut pas supporter un PT doté de ces accessoires.
- Ne vous asseyez pas sur les cadres de chargement, les plaques, les casiers ou les compartiments. N'installez pas d'enfants ni d'animaux dans les compartiments ouverts, les casiers de chargement ou sur les cadres de chargement.
- Ne lâchez jamais un PT en mode Équilibrage car le PT continuera à avancer sur quelques mètres, entraînant un risque de blessures ou de dommages.
- N'utilisez que les pièces, fixations et accessoires approuvés par Segway. Serrez au niveau de serrage recommandé.
- Vérifiez régulièrement le serrage de toutes les fixations.

## AVERTISSEMENT

Nous vous recommandons de vérifier que le poids combiné de l'utilisateur, des accessoires et du chargement n'excède pas les 118 kg. Le dépassement des limites de poids autorisées, en particulier sur les pentes ou les surfaces irrégulières, accroît le risque de chute et de blessure.

### Limites de poids :

- Charge maximale totale (poids de l'utilisateur et du chargement) : **118 kg**
- Charge maximale totale sur le cadre LeanSteer (comprenant le boîtier avant, n'importe quel chargement et le support de téléphone/tablette/bloc note) : **5,4 kg**
- Charge maximale totale installée sur chaque cadre de chargement : **6,8 kg**

### Poids de charge maximum autorisé (à placer dans/sur chaque accessoire) :

- Boîtier avant standard : 3,4 kg
- Boîtier d'alimentation avant : 2,5 kg
- Ensemble de boîtier de chargement étanche : 3,2 kg
- Ensemble de compartiment à partie supérieure ouverte : 4,6 kg
- Support de téléphone : 0,23 kg
- Support de tablette : 0,45 kg
- Boîtier/support pour bloc note : 0,45 kg
- Support universel pour bouteille d'eau : 1,23 kg

# Cadre inférieur de chargement du i2 SE

20412-00001

## Outils nécessaires

- Clé hexagonale 4 mm
- Clé dynamométrique

## Pièces

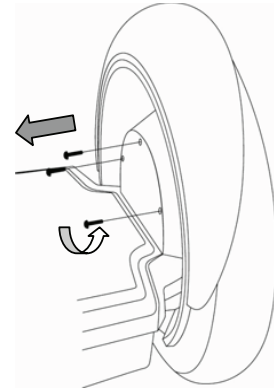
- (2) Cadre inférieur de chargement du i2 SE
- (6) Fixation hexagonale de 28 mm
- (6) Joint plat

## IMPORTANT

Assurez-vous d'avoir bien lu et compris tous les avertissements (p. 3) situés au début de ce manuel d'installation.

## Installation

- ⚠ 1. Assurez-vous que le PT est bien débranché et éteint.
2. À l'aide d'une clé hexagonale de 4 mm, retirez les trois fixations qui maintiennent le cache de la boîte de vitesses et rangez-les dans un endroit sûr. Voir **Illustration 1**.
3. Placez le cadre inférieur de chargement du i2 SE afin qu'il soit aligné avec les trous du cache de la boîte de vitesses.
4. Faites passer trois des fixations de 28 mm incluses à travers les joints plats, le cadre inférieur de chargement du i2 SE, le cache de la boîte de vitesses et dans la boîte de vitesses. Serrez les fixations à **6,0 N-m**. Voir **Illustration 2**.



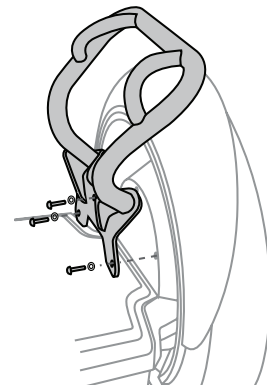
**Illustration 1. Retirez le cache de la boîte de vitesses**

## Retrait

- ⚠ 1. Assurez-vous que le PT est mis hors tension et débranché.
2. Retirez le cadre inférieur de chargement du i2 SE en suivant la procédure ci-dessus en sens inverse.

## REMARQUE

Voir les sections **Limites de poids** et **Poids de charge maximum autorisé** (p. 3) avant d'utiliser cet accessoire.



**Illustration 2. Installation du cadre inférieur de chargement du i2**

# Cadre latéral de chargement du x2 SE

24018-00001

## Outils nécessaires

- Clé hexagonale 4 mm
- Clé dynamométrique

## Pièces

(1) Cadre latéral de chargement du x2 SE

## IMPORTANT

Assurez-vous d'avoir bien lu et compris tous les avertissements (p. 3) situés au début de ce manuel d'installation.

### Retirez l'ensemble pare-chocs/cadre du x2 SE :

1. ⚠ Assurez-vous que le Segway PT est bien débranché et éteint.
2. Retirez les trois fixations de 28 mm avec une clé hexagonale de 4 mm et rangez-les dans endroit sûr (voir l'**illustration 3**).
3. Soulevez et enlevez le pare-chocs et le cadre, puis enlevez tous les débris déposés sur les surfaces de montage.
4. Pour retirer le pare-chocs de son cadre, retirez les quatre fixations 28 mm à l'aide de la clé Allen 4 mm (Voir l'**illustration 4**).

### Installez le cadre latéral de chargement du x2 SE :

1. ⚠ Assurez-vous que le Segway PT est bien débranché et éteint.
2. Faites passer les quatre fixations de 18 mm à travers le pare-chocs et dans le cadre latéral de chargement. Serrez les fixations jusqu'à ce qu'elles soient bien en place, à l'aide d'une clé hexagonale de 4 mm. Continuez à serrez d'un demi tour ou d'un tour entier.
3. Faites passer les fixations de 28 mm à travers l'ensemble pare-chocs/cadre dans le cache de la boîte de vitesses sur le PT.
4. À l'aide d'une clé hexagonale de 4 mm, serrez à **6,0 N-m**.

#### REMARQUE

Voir les sections **Limites de poids** et **Poids de charge maximum autorisé** (p. 3) avant d'utiliser cet accessoire.

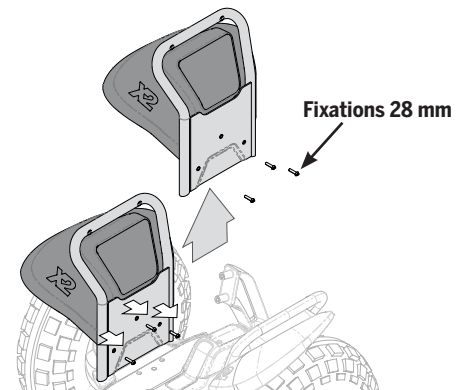


Illustration 3. Retrait du cadre du pare-chocs x2 SE

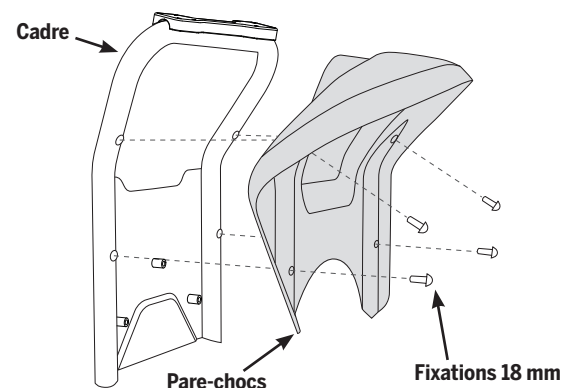


Illustration 4. Installation du pare-chocs sur le cadre latéral de chargement du x2 SE



# Pinces de chargement et support de chargement (pour le modèle i2 SE)

24078-00001 (Pinces de chargement), 24042-00001 (Support de chargement)

Outils nécessaires	Pièces
<ul style="list-style-type: none"><li>• Clé hexagonale 4 mm</li><li>• Clé dynamométrique</li></ul>	(4) Pince de chargement i2 SE (2) Bouton à dégagement rapide (16) Fixation hexagonale de 35 mm (4) Fixation hexagonale de 16 mm (2) Support de chargement (4) Écrou de blocage (12) Oeillet en caoutchouc

## IMPORTANT

Assurez-vous d'avoir bien lu et compris tous les avertissements (p. 3) situés au début de ce manuel d'installation.

## Installation

1. Assurez-vous que le PT est bien débranché et éteint.
2. Installez six œillets en caoutchouc sur chacun des supports de chargement, comme indiqué sur l'**illustration 5**.
3. Installez un bouton à dégagement rapide sur chacun des supports de chargement avec deux fixations de 16 mm et deux écrous de blocage, comme indiqué sur l'**illustration 6**. Serrez les fixations à **6,0 N-m**.
4. Placez les pinces de chargement sur le cadre inférieur de chargement du i2 SE, comme indiqué. Les pinces filetées doivent être placées sous le cadre inférieur de chargement du i2 SE. Voir l'**illustration 7**.
5. Placez le support de chargement afin qu'il soit aligné avec les pinces de chargement, comme indiqué sur l'**illustration 7**.
6. Faites passer huit des fixations de 35 mm incluses à travers le support de chargement dans les pinces de chargement. Serrez les fixations à **6,0 N-m**.

## Retrait

1. Assurez-vous que le PT est mis hors tension et débranché.
2. Retirez le support de chargement et les pinces de chargement en suivant la procédure ci-dessus en sens inverse.

## REMARQUE

Voir les sections **Limites de poids** et **Poids de charge maximum autorisé** (p. 3) avant d'utiliser cet accessoire.

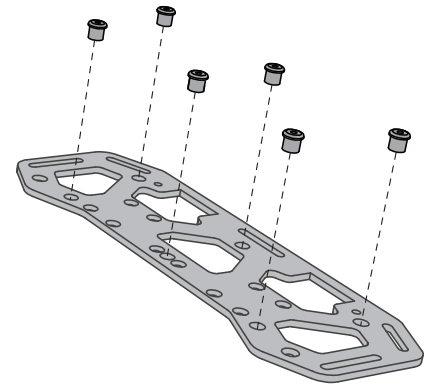


Illustration 5. Installation des œillets en caoutchouc

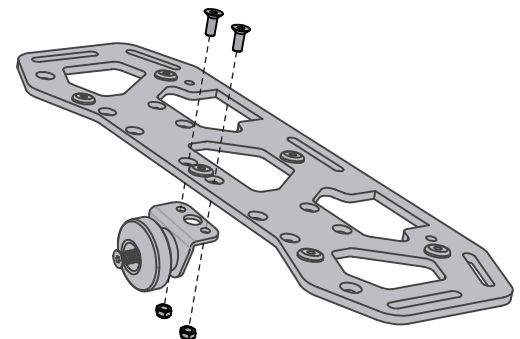


Illustration 6. Installation du bouton à dégagement rapide

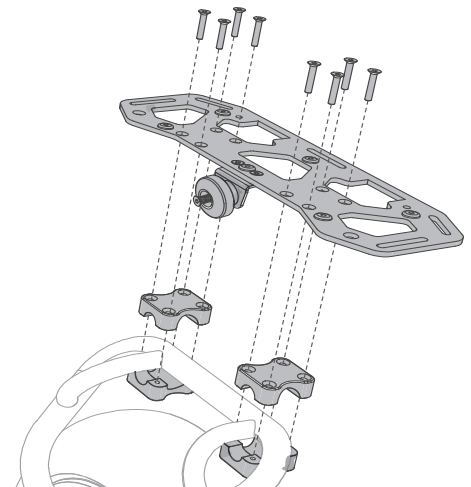


Illustration 7. Installation des pinces de chargement et du support de chargement

# Support de chargement (pour le modèle x2 SE)

24042-00001 (Support de chargement)

## Outils nécessaires

- Clé hexagonale 4 mm
- Clé dynamométrique

## Pièces

- |                                   |                                  |
|-----------------------------------|----------------------------------|
| (2) Support de chargement         | (4) Fixation hexagonale de 16 mm |
| (16) Fixation hexagonale de 35 mm | (4) Écrou de blocage             |
| (12) Oeillet en caoutchouc        |                                  |
| (2) Bouton à dégagement rapide    |                                  |

## IMPORTANT

Assurez-vous d'avoir bien lu et compris tous les avertissements (p. 3) situés au début de ce manuel d'installation.

## Installation

1. Assurez-vous que le PT est bien débranché et éteint.
2. Installez six œillets en caoutchouc sur chacun des supports de chargement, comme indiqué sur l'**illustration 8**.
3. Installez un bouton à dégagement rapide sur chacun des supports de chargement avec deux fixations de 16 mm et deux écrous de blocage, comme indiqué sur l'**illustration 9**. Serrez les fixations à **6,0 N-m**.
4. Placez le support de fixation afin qu'il soit aligné avec le cadre latéral de chargement, comme indiqué sur l'**illustration 10**.
5. Faites passer huit des fixations de 35 mm incluses à travers le support de chargement dans le cadre latéral de chargement. Serrez les fixations à **6,0 N-m**.

## Retrait

1. Assurez-vous que le PT est mis hors tension et débranché.
2. Retirez le support de chargement en suivant la procédure ci-dessus en sens inverse.

## REMARQUE

Voir les sections **Limites de poids** et **Poids de charge maximum autorisé** (p. 3) avant d'utiliser cet accessoire.

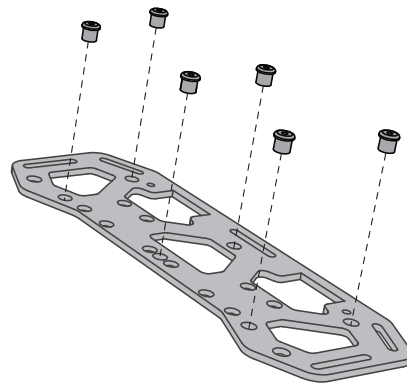


Illustration 8. Installation des œillets en caoutchouc

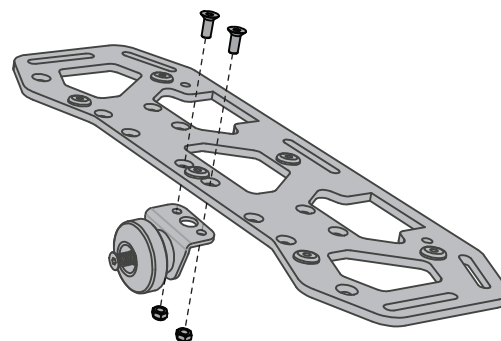


Illustration 9. Installation du bouton à dégagement rapide

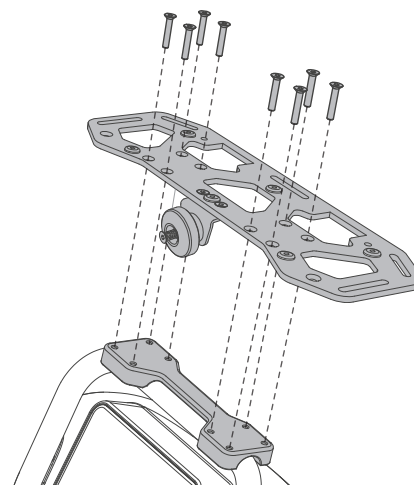


Illustration 10. Installation du support de chargement

# Boîtier de chargement étanche et support à dégagement rapide

24044-00001 (Boîtier de chargement étanche), 24043-00001 (Support à dégagement rapide)

## Outils nécessaires

- Clé hexagonale 4 mm
- Clé dynamométrique

## Pièces

- |                                  |                              |
|----------------------------------|------------------------------|
| (2) Boîtier étanche              | (8) Écrou de blocage         |
| (2) Support à dégagement rapide  | (8) Cache écrou en plastique |
| (4) Patin d'espacement           |                              |
| (8) Fixation hexagonale de 20 mm |                              |

## IMPORTANT

Assurez-vous d'avoir bien lu et compris tous les avertissements (p. 3) situés au début de ce manuel d'installation.

## Installation

1. Assurez-vous que le PT est bien débranché et éteint.
2. Installez un support à dégagement rapide sur chacun des boîtiers étanches avec quatre fixations de 20 mm, deux patins d'espacement (entre le support et le boîtier), quatre écrous de blocage, comme indiqué sur l'**illustration 11**. Serrez les fixations à **11,0 N·m**.
3. Installez quatre cache écrous sur les quatre écrous de blocage.
4. Fixez le boîtier étanche au support de chargement avec le support à dégagement rapide, comme indiqué sur l'**illustration 12**.

## REMARQUE

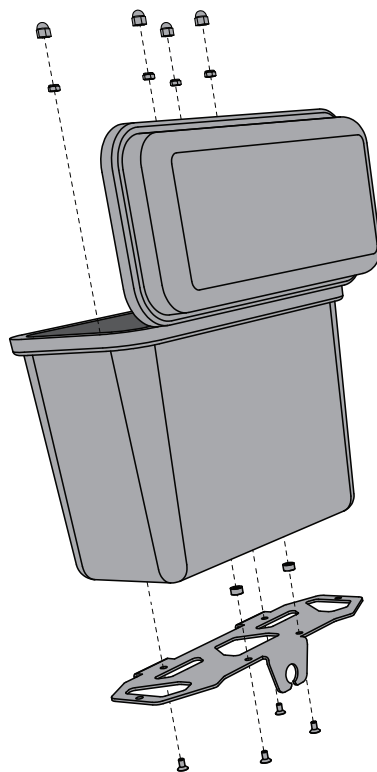
Assurez-vous que le support à dégagement rapide est solidement et fermement fixé au bouton de dégagement rapide avec un « clic » audible.

## Retrait

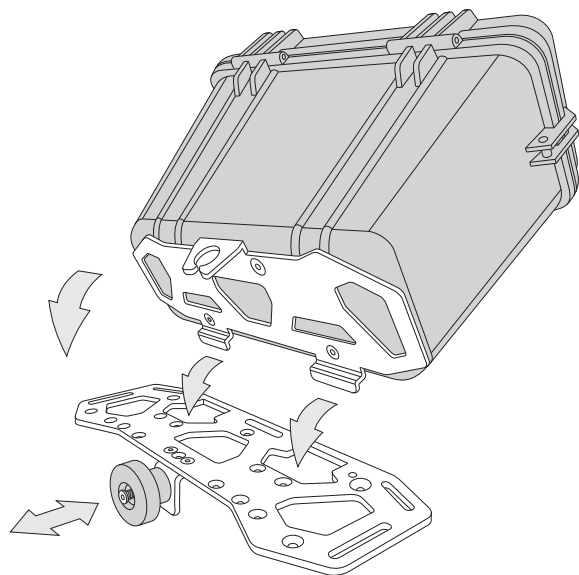
1. Assurez-vous que le PT est mis hors tension et débranché.
2. Retirez le boîtier étanche du support de chargement en tirant sur le bouton de dégagement rapide tout en inclinant le compartiment à partie supérieure ouverte dans la direction opposée au support de chargement.

## REMARQUE

Voir les sections **Limites de poids** et **Poids de charge maximum autorisé** (p. 3) avant d'utiliser cet accessoire.



**Illustration 11. Installation du support à dégagement rapide sur le boîtier**



**Illustration 12. Fixation du boîtier étanche au support de chargement**

# Ensemble compartiment à partie supérieure ouverte et support à dégagement rapide

24045-00001 (Ensemble compartiment à partie supérieure ouverte), 24043-00001 (Support à dégagement rapide)

Outils nécessaires	Pièces	
<ul style="list-style-type: none"><li>• Clé hexagonale 4 mm</li><li>• Clé dynamométrique</li></ul>	(2) Compartiment à partie supérieure ouverte	(8) Écrou de blocage
	(2) Support à dégagement rapide	(8) Cache écrou en plastique
	(8) Fixation hexagonale de 12 mm	

## IMPORTANT

Assurez-vous d'avoir bien lu et compris tous les avertissements (p. 3) situés au début de ce manuel d'installation.

## Installation

1. Assurez-vous que le PT est bien débranché et éteint.
2. Installez un support à dégagement rapide sur chaque compartiment à partie supérieure ouverte avec quatre fixations de 12 mm et quatre écrous de blocage, comme indiqué sur l'**illustration 13**. Serrez les fixations à **6,0 N-m**.
3. Installez quatre cache écrous sur les quatre écrous de blocage.
4. Fixez le compartiment à partie supérieure ouverte au support de chargement avec le support à dégagement rapide, comme indiqué sur l'**illustration 14**.

## REMARQUE

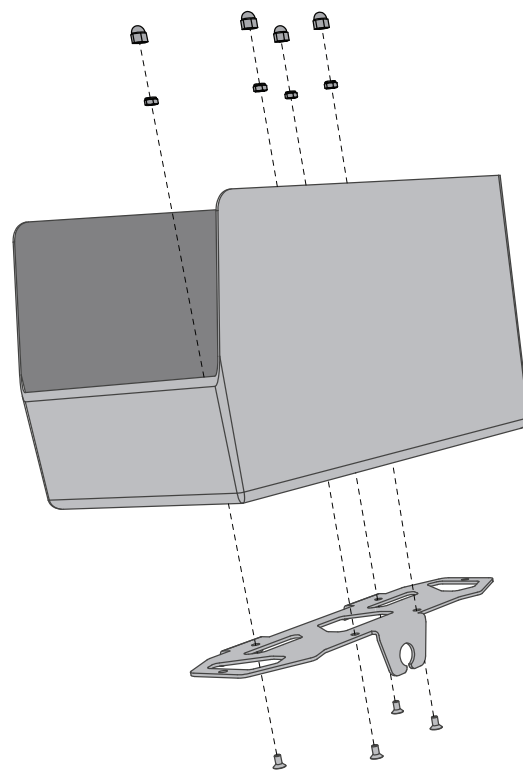
Assurez-vous que le support à dégagement rapide est solidement et fermement fixé au bouton de dégagement rapide avec un « clic » audible.

## Retrait

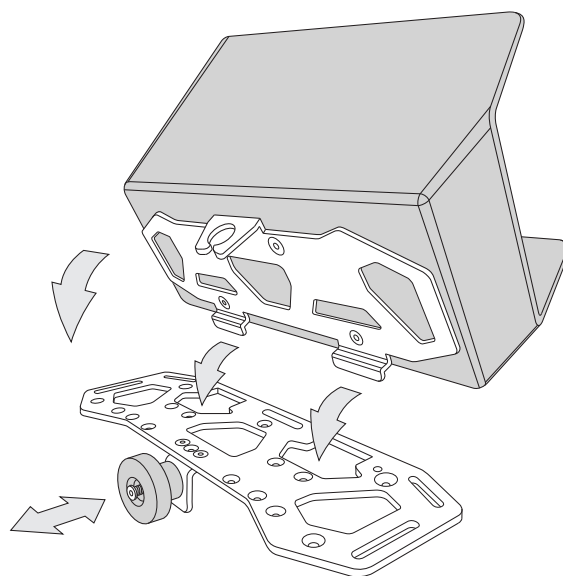
1. Assurez-vous que le PT est mis hors tension et débranché.
2. Retirez le compartiment à partie supérieure ouverte du support de chargement en tirant sur le bouton de dégagement rapide tout en inclinant le compartiment à partie supérieure ouverte dans la direction opposée au support de chargement.

## REMARQUE

Voir les sections **Limites de poids** et **Poids de charge maximum autorisé** (p. 3) avant d'utiliser cet accessoire.



**Illustration 13. Installation du support à dégagement rapide sur le compartiment**



**Illustration 14. Fixation du compartiment à partie supérieure ouverte au support de chargement**

# Boîtier avant standard / Boîtier d'alimentation avant

24046-00001 (Boîtier avant standard), 24047-00001 (Boîtier d'alimentation avant)

Outils nécessaires	Pièces
<ul style="list-style-type: none"><li>• Clé hexagonale 4 mm</li><li>• Clé dynamométrique</li></ul>	(1) Boîtier avant (2) Support de cadre LeanSteer (4) Joint torique (2) Fixation hexagonale de 25 mm
	(1) Plateau de stabilisation

## IMPORTANT

Assurez-vous d'avoir bien lu et compris tous les avertissements (p. 3) situés au début de ce manuel d'installation.

## Installation

1. Assurez-vous que le PT est bien débranché et éteint.
2. Installez le boîtier avant sur le cadre LeanSteer avec deux fixations de 25 mm, quatre joints toriques (deux de chaque côté du plateau de stabilisation) et deux supports de cadre LeanSteer, comme indiqué sur l'**illustration 15**. Serrez les fixations à **11,0 N-m**.

### REMARQUE

Le support de cadre LeanSteer le plus proche de l'utilisateur est doté de bords biseautés (arrondis) et de trous filetés.

Pour le boîtier d'alimentation avant uniquement : assurez-vous d'installer le boîtier de façon à pouvoir atteindre les interrupteurs de lumière/klaxon sans avoir à enlever vos mains du guidon.

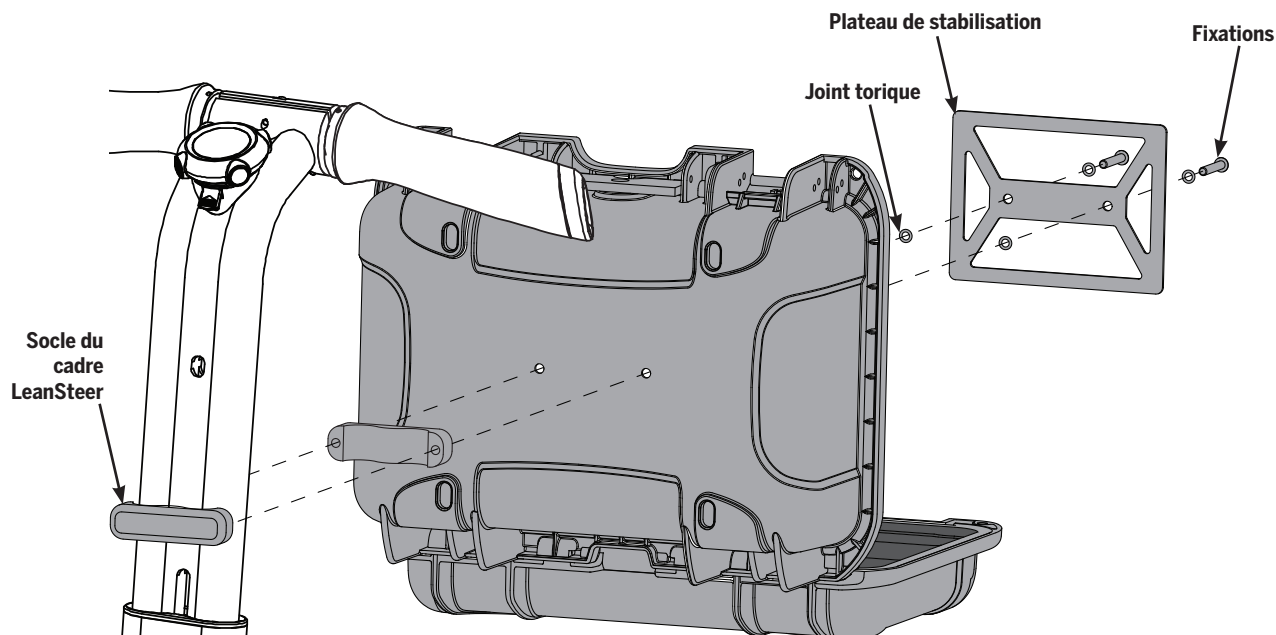
Vérifiez régulièrement le serrage de toutes les fixations.

## Retrait

1. Assurez-vous que le PT est mis hors tension et débranché.
2. Retirez le boîtier avant du cadre LeanSteer en suivant la procédure ci-dessus en sens inverse.

### REMARQUE

Voir les sections **Limites de poids** et **Poids de charge maximum autorisé** (p. 3) avant d'utiliser cet accessoire.



**Illustration 15. Installation du boîtier avant sur le cadre LeanSteer**

# Socle pour accessoire de guidon

24048-00001

Outils nécessaires	Pièces
<ul style="list-style-type: none"><li>• Clé hexagonale 4 mm</li><li>• Clé dynamométrique</li></ul>	(1) Socle (3) Fixation hexagonale de 35 mm (3) Patin d'espacement
	(2) Boule de fixation avec fixation

## IMPORTANT

Assurez-vous d'avoir bien lu et compris tous les avertissements (p. 3) situés au début de ce manuel d'installation.

## Installation

1. Assurez-vous que le PT est bien débranché et éteint.
2. Enlevez les trois fixations standard du guidon.
3. Installez les deux boules de fixation et les fixations (non illustrées) sur le socle. Serrez les fixations à **6,0 N-m**.
4. Installez le socle au guidon avec trois fixations de 35 mm et trois patins d'espacement, comme indiqué sur l'**illustration 16**. Serrez les fixations à **11,0 N-m**.

## REMARQUE

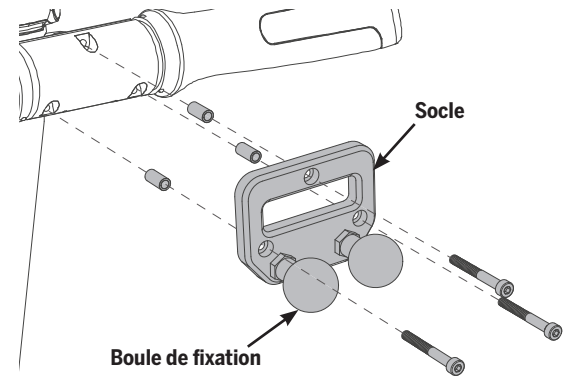
Vérifiez régulièrement le serrage de toutes les fixations.

## Retrait

1. Assurez-vous que le PT est mis hors tension et débranché.
2. Retirez le socle du guidon en suivant la procédure ci-dessus en sens inverse.

## REMARQUE

Voir les sections **Limites de poids** et **Poids de charge maximum autorisé** (p. 3) avant d'utiliser cet accessoire.



**Illustration 16. Installation de l'accessoire de fixation du guidon**

# Socle de fixation articulé pour support de téléphone

24049-00001

Outils nécessaires	Pièces
<ul style="list-style-type: none"><li>Aucun</li></ul>	(1) Support de téléphone RAM® X-grip (1) Bras d'extension de 13,3 cm

## IMPORTANT

Assurez-vous d'avoir bien lu et compris tous les avertissements (p. 3) situés au début de ce manuel d'installation.

## Installation

- ⚠ 1. Assurez-vous que le PT est bien débranché et éteint.
2. Installez le bras d'extension sur la boule de fixation du support de téléphone, puis montez le support de téléphone et le bras d'extension à l'une des boules de fixation de l'accessoire de fixation du guidon.
3. Orientez le support de téléphone dans la direction de votre choix, puis serrez fermement le bras d'extension.

### REMARQUE

Vérifiez régulièrement le serrage de l'ensemble des écrous et des extensions.

## Retrait

1. Desserrez le bras d'extension, puis enlevez le support de téléphone et le bras d'extension de l'accessoire de fixation du guidon.

### REMARQUE

Voir les sections **Limites de poids** et **Poids de charge maximum autorisé** (p. 3) avant d'utiliser cet accessoire.

- ⚠ N'écrivez pas de SMS pendant que vous roulez. Ceci peut avoir un impact sur votre capacité à surveiller votre environnement pendant que vous roulez, pouvant entraîner un risque de blessures graves, d'accident mortel ou de dommages, dû à des chutes.

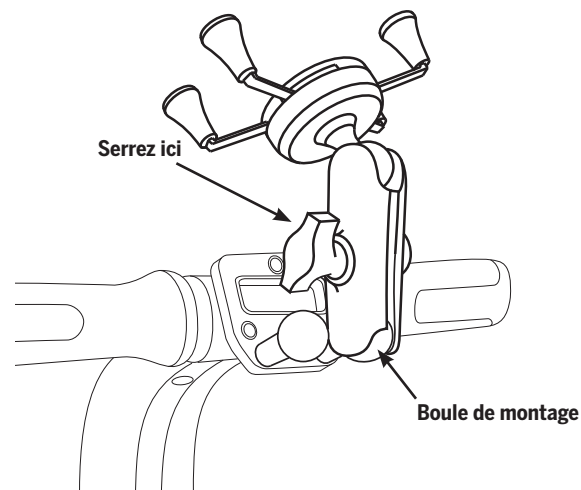


Illustration 17. Installation du support de téléphone

# Socle de fixation articulé pour tablette

24052-00001

## Outils nécessaires

- Aucun

## Pièces

- (1) Support pour tablette RAM® X-grip
- (1) Bras d'extension de 13,3 cm

## IMPORTANT

Assurez-vous d'avoir bien lu et compris tous les avertissements (p. 3) situés au début de ce manuel d'installation.

## Installation

- ⚠ 1. Assurez-vous que le PT est bien débranché et éteint.
2. Installez le bras d'extension sur la boule de fixation du support de tablette, puis montez le support de tablette et le bras d'extension à l'une des boules de fixation de l'accessoire de fixation du guidon.
3. Orientez le support de tablette dans la direction de votre choix, puis serrez fermement le bras d'extension.

## REMARQUE

Vérifiez régulièrement le serrage de l'ensemble des écrous et des extensions.

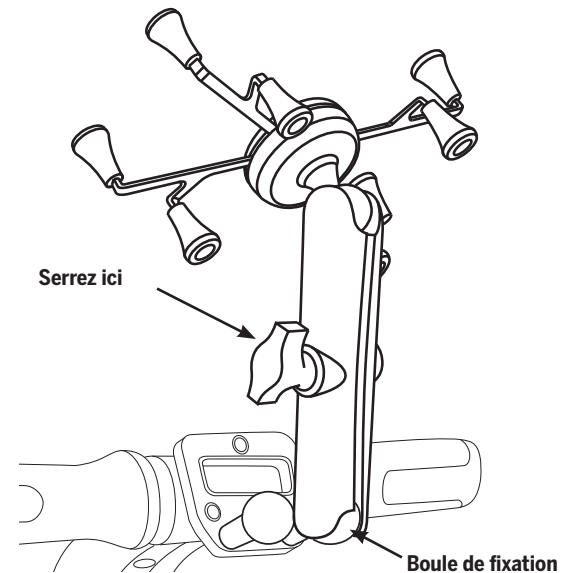
## Retrait

1. Desserrez le bras d'extension, puis enlevez le support de tablette et le bras d'extension de l'accessoire de fixation du guidon.

## REMARQUE

Voir les sections **Limites de poids** et **Poids de charge maximum autorisé** (p. 3) avant d'utiliser cet accessoire.

- ⚠ N'utilisez pas la tablette en roulant. Ceci peut avoir un impact sur votre capacité à surveiller votre environnement pendant que vous roulez, pouvant entraîner un risque de blessures graves, d'accident mortel ou de dommages, dû à des chutes ou des collisions.



**Illustration 18. Installation du support de tablette**



# Boîtier de bloc note avec fixation articulée

24050-00001

## Outils nécessaires

- Clé hexagonale 4 mm
- Clé dynamométrique

## Pièces

- (1) Bloc note
- (1) Bras d'extension de 13,3 cm
- (2) Socle avec boule de 2,5 cm
- (3) Fixation hexagonale de 16 mm
- (3) Écrou de blocage

## IMPORTANT

Assurez-vous d'avoir bien lu et compris tous les avertissements (p. 3) situés au début de ce manuel d'installation.

## Installation

1. Assurez-vous que le PT est bien débranché et éteint.
2. Installez le socle à l'arrière du bloc note, comme sur l'**illustration 19**, avec trois fixations de 16 mm et trois écrous de blocage. Serrez les fixation à **6,0 N-m**.
3. Installez le bras d'extension sur la boule de fixation du socle, puis montez le bloc note et le bras d'extension à l'une des boules de fixation de l'accessoire de fixation du guidon.
4. Orientez le bloc note dans la direction de votre choix, puis serrez fermement le bras d'extension.

## REMARQUE

Vérifiez régulièrement le serrage de l'ensemble des écrous et des extensions.

## Retrait

1. Desserrez le bras d'extension, puis enlevez le bloc note et le bras d'extension de l'accessoire de fixation du guidon.

## REMARQUE

Voir les sections **Limites de poids** et **Poids de charge maximum autorisé** (p. 3) avant d'utiliser cet accessoire.

1. Ne lisez pas votre bloc note en roulant. Ceci aura un impact sur votre capacité à surveiller votre environnement pendant que vous roulez, pouvant entraîner un risque de blessures graves, d'accident mortel ou de dommages, dû à des chutes ou des collisions.

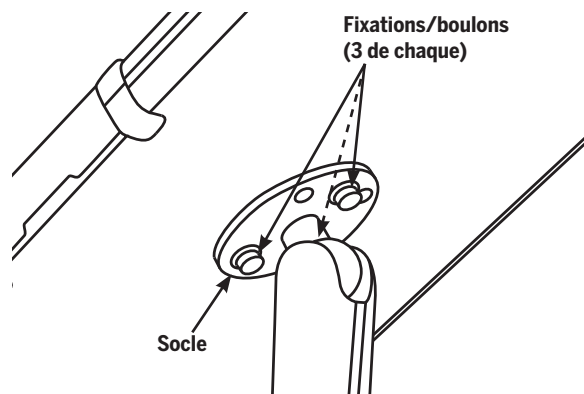


Illustration 19. Installation du socle pour bloc note

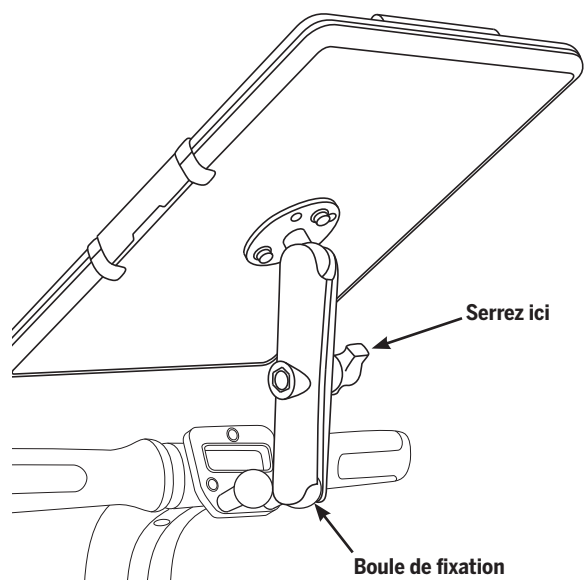


Illustration 20. Installation du bloc note

# Support universel pour bouteille d'eau

24051-00001

Outils nécessaires	Pièces
<ul style="list-style-type: none"><li>• Clé hexagonale 4 mm</li><li>• Clé dynamométrique</li><li>• Perceuse électrique</li><li>• Forêt de 6 à 8 mm</li></ul>	<ul style="list-style-type: none"><li>(1) Support pour bouteille d'eau</li><li>(2) Bande Velcro</li><li>(2) Fixation de 16 mm</li><li>(2) Écrou de blocage</li><li>(2) Joint d'étanchéité</li></ul>

## IMPORTANT

Assurez-vous d'avoir bien lu et compris tous les avertissements (p. 3) situés au début de ce manuel d'installation.

## Installation

- ⚠ 1. Assurez-vous que le PT est débranché et éteint, et que le boîtier standard ou le boîtier d'alimentation est installé sur le cadre LeanSteer.
2. En vous servant du support pour bouteille d'eau comme modèle, faites deux marques de perçage là où vous comptez installer le support. Percez les trous de fixation grâce à un forêt de 6 à 8 mm.

### REMARQUE

Assurez-vous de ne pas percer de composant interne du boîtier d'alimentation.

3. Installez le support pour bouteille d'eau sur le boîtier avec deux fixations de 16 mm, deux joints d'étanchéité et deux écrous de blocage, comme indiqué sur l'**illustration 21**. Serrez les fixations à **6,0 N-m**.
4. Fixez votre bouteille d'eau sur le support à l'aide des deux bandes Velcro.

REMARQUE : vérifiez régulièrement le serrage de toutes les fixations.

## Retrait

- ⚠ 1. Assurez-vous que le PT est mis hors tension et débranché.
2. Enlevez les deux fixations de 16 mm qui maintiennent la bouteille d'eau au boîtier.
3. Pour assurer l'étanchéité, installez de nouveau les deux fixations de 16 mm avec deux joints d'étanchéité et écrous de blocage.

### REMARQUE

Voir les sections **Limites de poids** et **Poids de charge maximum autorisé** (p. 3) avant d'utiliser cet accessoire.

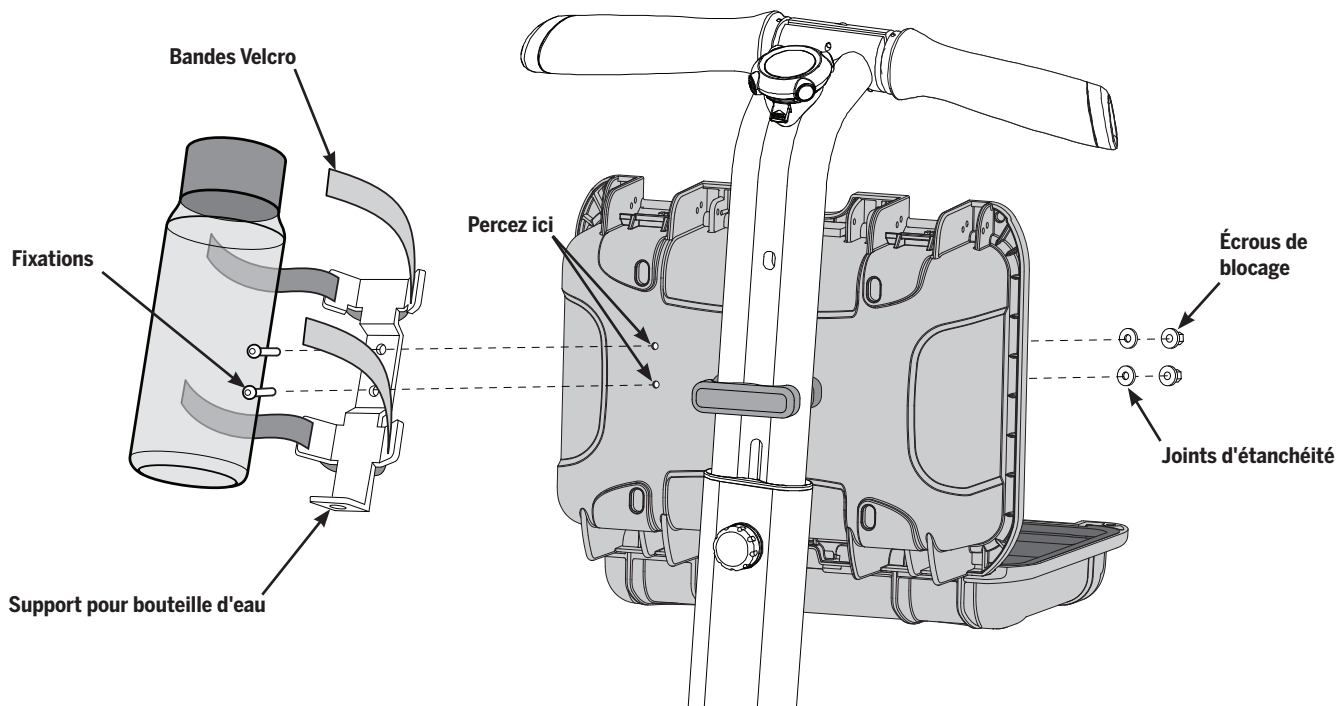


Illustration 21. Installation du support universel pour bouteille d'eau

**DES QUESTIONS ?**

S'il vous manque une pièce ou si vous avez des questions, contactez votre concessionnaire local agréé Segway. Pour trouver le concessionnaire le plus près de chez vous, visitez le site Web [www.segway.com](http://www.segway.com). Ce document est également disponible sur [www.segway.com](http://www.segway.com).

**GARANTIE LIMITÉE/GARANTIE**

Les pièces listées dans ce document sont les « Accessoires » couverts « par la garantie limitée/garantie Segway Personal Transporter » (copie fournie avec ce kit).

# Sommario

Table of Contents • Table des matières • Inhaltsverzeichnis •  
Contenidos • 目次 • 目录

English.....	2
Français.....	17
Italiano.....	32
Deutsch.....	47
Español.....	62
日本語.....	77
中文.....	92

Sicurezza.....	33
Telaio di carico inferiore i2 SE.....	34
Telaio di carico laterale x2 SE.....	35
Morsetti di carico e piastra di carico (i2 SE).....	36
Piastra di carico (x2 SE).....	37
Set borsa di carico impermeabile e supporto di sgancio rapido.....	38
Cesto di carico aperto e supporto di sgancio rapido.....	39
Borsa anteriore standard/Borsa anteriore Power-Pack.....	40
Base accessori del manubrio.....	41
Supporto per smartphone articolato.....	42
Supporto per tablet articolato.....	43
Cartellina portablocco con supporto articolato.....	44
Portabottiglia universale.....	45

# Sicurezza

## AVVERTENZA

- Tutti gli utilizzatori sono tenuti a leggere le istruzioni allegate ai componenti. Il mancato rispetto di queste avvertenze potrebbe causare gravi infortuni, decessi o danni materiali.
- Le presenti istruzioni per l'installazione si aggiungono al manuale d'uso di Segway Personal Transporter (PT) e al video sulla sicurezza contenuto all'interno di Segway PT. Accertarsi di aver letto e compreso il manuale d'uso e guardare il video sulla sicurezza prima di guidare il PT.
- Spegnerne sempre il PT e scollegare il cavo di alimentazione CA prima di eseguire qualsiasi intervento di manutenzione o di installare un componente o un accessorio.
- Trasportare dei carichi nei cestini o nelle borse modificherà il comportamento di Segway PT. Maggiore è il peso, maggiori saranno i cambiamenti. Prendere confidenza con questi cambiamenti guidando a bassa velocità.
- Il set borsa di carico impermeabile e il cesto di carico aperto possono ridurre il raggio di movimento dell'utilizzatore, aumentare la larghezza totale del PT e ridurre la possibilità dell'utilizzatore di piegarsi in curva e/o piegarsi in salita per mantenere la stabilità laterale. In questo modo potrebbero aumentare i rischi di collisione e/o evitare che l'utilizzatore scenda lateralmente in caso di caduta, collisione, perdita di trazione, arresto di sicurezza o altre emergenze. La maggiore larghezza totale del PT dotato degli accessori renderà più difficile il passaggio attraverso le porte e può aumentare il rischio di caduta, collisione o perdita di trazione dovuta allo scontro con altri oggetti. Per questi motivi, guidare un PT con questi accessori può aumentare il rischio di infortuni.
- Quando si guida un PT con gli accessori installati, gli utilizzatori devono prestare particolare attenzione ad evitare superfici scivolose e ostacoli, i percorsi con pendenze elevate e le svolte improvvise.
- Non utilizzare il cavalletto Segway quando sono installati questi accessori. Il cavalletto Segway è progettato per supportare solamente un PT senza carichi e non sosterrà il PT con gli accessori installati.
- Non sedersi né sostare sui telai, le piastre, le borse o i cestini di carico. Non mettere bambini o animali nei cestini aperti, nelle borse di carico o sui telai di carico.
- Non lasciare mai un PT in modalità Equilibrio, poiché il mezzo percorrerà ancora una certa distanza, comportando rischi di lesioni o danni.
- Utilizzare solo parti, viti di fissaggio e accessori approvati Segway e serrare alla coppia indicata.
- Verificare periodicamente la tenuta delle viti di fissaggio.

## AVVERTENZA

Verificare che il peso combinato dell'utilizzatore e di tutti gli accessori e il carico trasportati dall'utilizzatore o sul PT non superino 260 lb. Pesi superiori ai seguenti limiti di peso aumentano il rischio di caduta e di lesioni, specialmente in percorsi in pendenza o superfici irregolari.

### Limiti di peso:

- Carico utile massimo (peso dell'utilizzatore e del bagaglio): **260 lbs (118 kg)**
- Carico utile massimo sul Lean Steer (inclusi borsa anteriore, carico e supporto per telefono/tablet/portablocco): **12 lbs (5,4 kg)**
- Carico utile massimo montato su ciascun telaio di carico: **15 lbs (6,8 kg)**

### Peso massimo del carico consentito (da posizionare in/su ciascun accessorio):

- Borsa anteriore standard: 7,4 lbs (3,4 kg)
- Borsa anteriore Power-Pack: 5,4 lbs (2,5 kg)
- Set borsa di carico impermeabile: 7,1 lbs (3,2 kg)
- Cesto di carico aperto: 10,1 lbs (4,6 kg)
- Supporto per smartphone: 0,5 lbs (0,23 kg)
- Supporto per tablet: 1 lbs (0,45 kg)
- Supporto/Cartellina portablocco: 1 lbs (0,45 kg)
- Portabottiglia universale: 2,7 lbs (1,23 kg)

# Telaio di carico inferiore i2 SE

20412-00001

## Strumenti occorrenti

- Chiave a brugola da 4 mm
- Chiave dinamometrica

## Parti

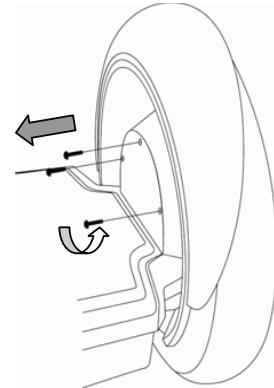
- (2) Telaio di carico inferiore i2 SE
- (6) Vite di fissaggio esagonale da 28 mm
- (6) Rondella piana

## IMPORTANTE

Leggere e comprendere tutte le avvertenze (p.3) all'inizio di questo Manuale per l'installazione.

## Installazione

1. ⚠ Accertarsi che il PT sia spento e scollegato.
2. Utilizzando una chiave a brugola da 4 mm, rimuovere le tre viti di fissaggio che collegano il coperchio della scatola di trasmissione e riporle in un luogo sicuro. Vedere **Figura 1**.
3. Posizionare il telaio di carico inferiore i2 SE, così che sia allineato con i fori del coperchio del blocco di trasmissione.
4. Inserire tre delle viti di fissaggio da 28 mm nel blocco di trasmissione attraverso tre delle rondelle piane, il telaio di carico inferiore i2 SE e il coperchio del blocco di trasmissione. Serrare le viti di fissaggio a **6,0 N-m (4,4 ft-lbf)**.  
Vedere **Figura 2**.



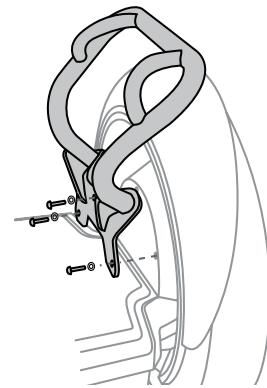
**Figura 1. Rimozione del coperchio del blocco di trasmissione**

## Rimozione

1. ⚠ Accertarsi che il PT sia spento e scollegato.
2. Rimuovere il telaio di carico inferiore i2 SE nell'ordine inverso rispetto alla procedura sopra.

## NOTA

Consultare le sezioni **Limiti di peso** e **Peso massimo del carico consentito** (p. 3) prima di usare questo accessorio.



**Figura 2. Installazione del telaio di carico inferiore i2**

# Telaio di carico laterale x2 SE

24018-00001

## Strumenti occorrenti

- Chiave a brugola da 4 mm
- Chiave dinamometrica

## Parti

- (1) Telaio di carico laterale x2 SE

## IMPORTANTE

Leggere e comprendere tutte le avvertenze (p.3) all'inizio di questo Manuale per l'installazione.

### Rimuovere il gruppo parafango/telaio x2 SE:

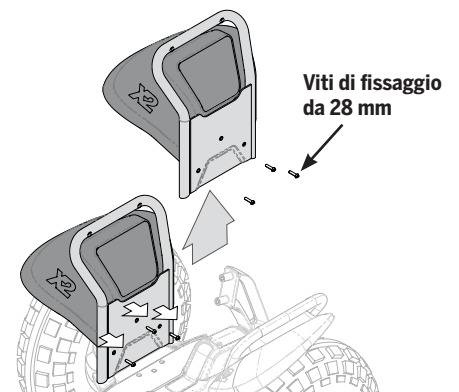
1. Assicurarsi che il Segway PT sia scollegato e spento.
2. Rimuovere le tre viti di fissaggio da 28 mm utilizzando una chiave a brugola da 4 mm e riporle in un luogo sicuro (vedere **Figura 3**).
3. Sfilare il gruppo parafango e telaio e pulire le superfici di montaggio eliminando qualsiasi traccia di sporcizia.
4. Per estrarre il parafango dal telaio, rimuovere le quattro viti di fissaggio da 18 mm utilizzando una chiave a brugola da 4 mm (vedere la **Figura 4**).

### Installare il telaio di carico laterale x2 SE:

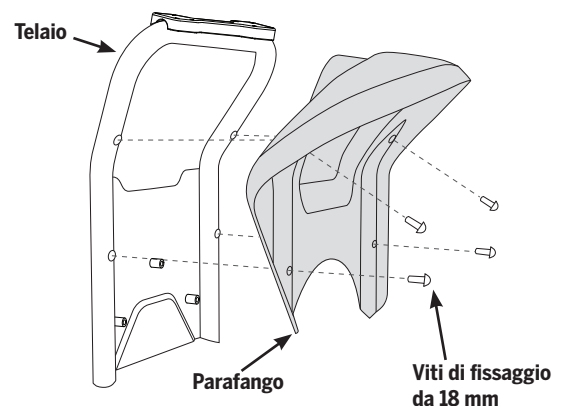
1. Assicurarsi che il Segway PT sia scollegato e spento.
2. Inserire le quattro viti di fissaggio da 18 mm nel telaio di carico laterale attraverso il parafango. Utilizzando una chiave a brugola da 4 mm, stringere le viti di fissaggio fino a che non sono completamente inserite. Continuare a stringere di mezzo giro/ un giro.
3. Inserire le tre viti di fissaggio da 28 mm nel coperchio del blocco di trasmissione sul PT attraverso il gruppo parafango e telaio.
4. Con una chiave a brugola da 4 mm, serrare a una coppia di **6,0 N-m (4,4 ft-lbf)**.

#### NOTA

Consultare le sezioni **Limiti di peso** e **Peso massimo del carico consentito** (p. 3) prima di usare questo accessorio.



**Figura 3. Rimozione del telaio del parafango per x2 SE**



**Figura 4. Installazione del parafango sul telaio di carico laterale x2 SE**

# Morsetti di carico e piastra di carico (per modello i2 SE)

24078-00001 (Morsetti di carico), 24042-00001 (Piastra di carico)

Strumenti occorrenti
<ul style="list-style-type: none"><li>• Chiave a brugola da 4 mm</li><li>• Chiave dinamometrica</li></ul>

Parti	
(4) Morsetto di carico i2 SE	(2) Pulsante di sgancio rapido
(16) Vite di fissaggio esagonale da 35 mm	(4) Vite di fissaggio esagonale da 16 mm
(2) Piastra di carico	(4) Dado Nyloc
(12) Occhiello in gomma	

## IMPORTANTE

Leggere e comprendere tutte le avvertenze (p.3) all'inizio di questo Manuale per l'installazione.

## Installazione

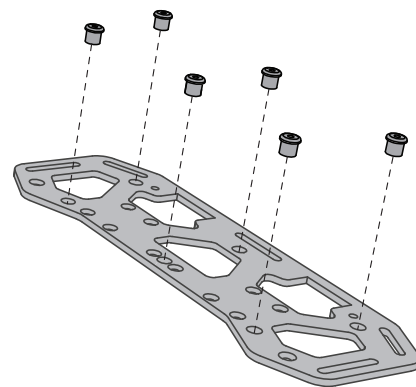
- ⚠ 1. Accertarsi che il PT sia spento e scollegato.
2. Installare sei occhielli in gomma su ciascuna piastra di carico, come mostrato in **Figura 5**.
3. Installare un pulsante di sgancio rapido su ciascuna piastra di carico utilizzando due viti di fissaggio da 16 mm e due dadi Nyloc, così come indicato in **Figura 6**. Serrare le viti di fissaggio a **6,0 N-m (4,4 ft-lbf)**.
4. Posizionare i morsetti di carico sul telaio di carico inferiore i2 SE, come mostrato. I morsetti filettati devono essere nella parte inferiore del telaio di carico inferiore i2 SE. Vedere **Figura 7**.
5. Posizionare la piastra di carico in modo tale che si allinei con i morsetti di carico come indicato nella **Figura 7**.
6. Inserire otto delle viti di fissaggio da 35 mm incluse nei morsetti di carico attraverso la piastra di carico. Serrare le viti di fissaggio a **6,0 N-m (4,4 ft-lbf)**.

## Rimozione

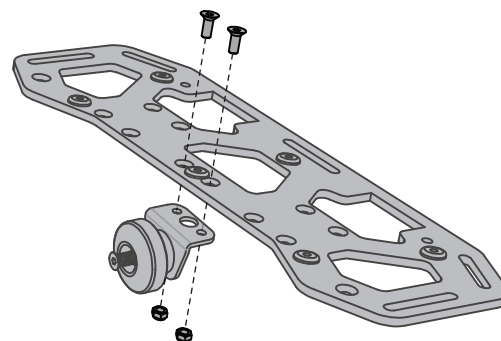
- ⚠ 1. Accertarsi che il PT sia spento e scollegato.
2. Rimuovere la piastra di carico e i morsetti di carico in ordine inverso rispetto alla procedura sopra descritta.

## NOTA

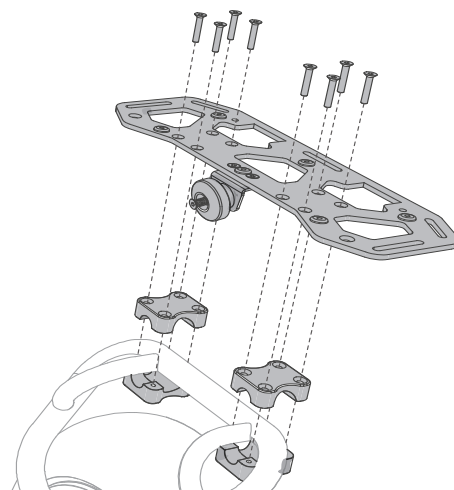
Consultare le sezioni **Limiti di peso** e **Peso massimo del carico consentito** (p. 3) prima di usare questo accessorio.



**Figura 5. Installazione degli occhielli in gomma**



**Figura 6. Installazione del pulsante di sgancio rapido**



**Figura 7. Installazione dei morsetti di carico e della piastra di carico**



# Piastra di carico (per modello x2 SE)

24042-00001 (Piastra di carico)

## Strumenti occorrenti

- Chiave a brugola da 4 mm
- Chiave dinamometrica

## Parti

- |   |  |
|---|--|
| (2) Piastra di carico                     | (4) Vite di fissaggio esagonale da 16 mm |
| (16) Vite di fissaggio esagonale da 35 mm | (4) Dado Nyloc                           |
| (12) Occhiello in gomma                   |  |
| (2) Pulsante di sgancio rapido            |  |

## IMPORTANTE

Leggere e comprendere tutte le avvertenze (p.3) all'inizio di questo Manuale per l'installazione.

## Installazione

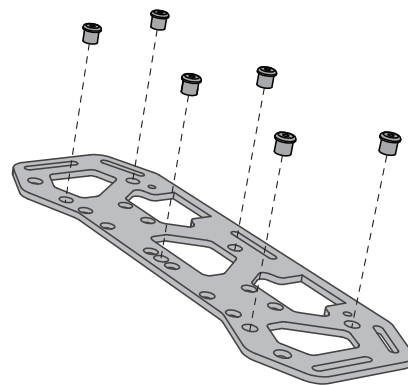
1. ⚠ Accertarsi che il PT sia spento e scollegato.
2. Installare sei occhielli in gomma su ciascuna piastra di carico, come mostrato alla **Figura 8**.
3. Installare un pulsante di sgancio rapido su ciascuna piastra di carico utilizzando due viti di fissaggio da 16 mm e due dadi Nyloc, così come indicato alla **Figura 9**. Serrare le viti di fissaggio a **6,0 N-m (4,4 ft-lbf)**
4. **Posizionare la piastra di carico, così che si allinei con il telaio laterale di carico, come indicato alla Figura 10.**
5. Inserire otto delle viti di fissaggio da 35 mm incluse nel telaio di carico laterale attraverso la piastra di carico. Serrare le viti di fissaggio a **6,0 N-m (4,4 ft-lbf)**.

## Rimozione

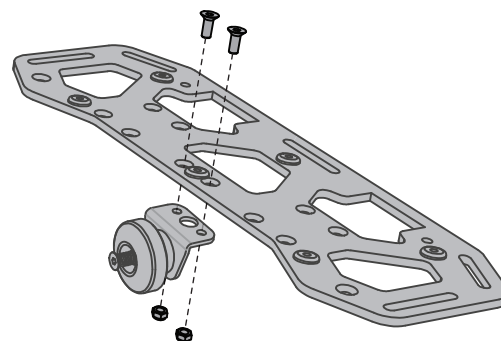
1. ⚠ Accertarsi che il PT sia spento e scollegato.
2. Rimuovere la piastra di carico nell'ordine inverso rispetto alla procedura sopra.

## NOTA

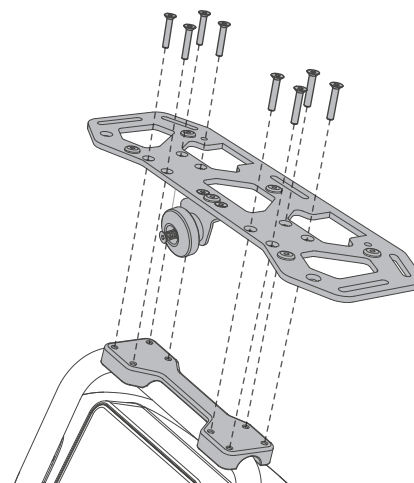
Consultare le sezioni **Limiti di peso** e **Peso massimo del carico consentito** (p. 3) prima di usare questo accessorio.



**Figura 8. Installazione degli occhielli in gomma**



**Figura 9. Installazione del pulsante di sgancio rapido**



**Figura 10. Installazione della piastra di carico**

# Set borsa di carico impermeabile e supporto di sgancio rapido

24044-00001 (Borsa di carico impermeabile), 24043-00001 (Supporto di sgancio rapido)

Strumenti occorrenti	Parti	
<ul style="list-style-type: none"><li>• Chiave a brugola da 4 mm</li><li>• Chiave dinamometrica</li></ul>	(2) Borsa impermeabile	(8) Dado Nyloc
	(2) Supporto di sgancio rapido	(8) Copridado in plastica
	(4) Distanziatore	
	(8) Vite di fissaggio esagonale da 20 mm	

## IMPORTANTE

Leggere e comprendere tutte le avvertenze (p.3) all'inizio di questo Manuale per l'installazione.

## Installazione

1. ⚠️ Accertarsi che il PT sia spento e scollegato.
2. Installare un supporto di montaggio rapido su ciascuna borsa impermeabile utilizzando quattro viti di fissaggio da 20 mm, due distanziatori (tra il supporto e la borsa) e quattro dadi Nyloc, come mostrato in **Figura 11**. Serrare le viti di fissaggio a **11,0 N-m (8,1 ft-lbf)**.
3. Installare quattro copridado in plastica sopra i quattro dadi Nyloc.
4. Fissare la borsa impermeabile alla piastra di carico utilizzando il supporto di sgancio rapido, come indicato alla **Figura 12**.

### NOTA

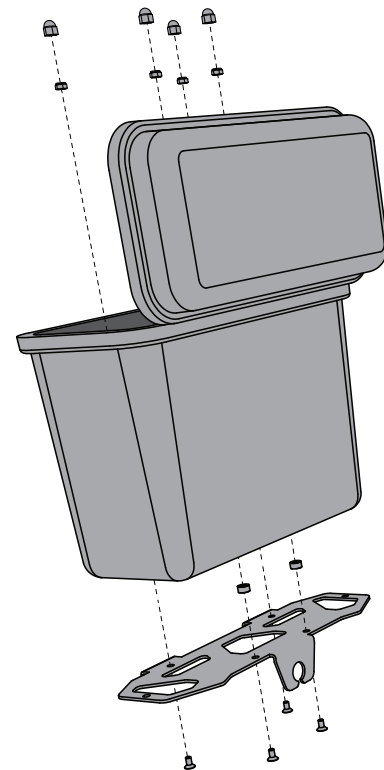
Verificare che il supporto di sgancio rapido si inserisca saldamente e in modo sicuro nel pulsante di sgancio rapido, con un chiaro "clic".

## Rimozione

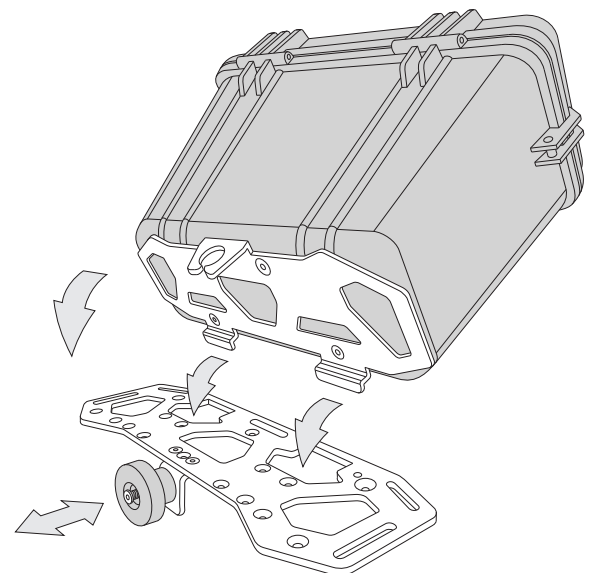
1. ⚠️ Accertarsi che il PT sia spento e scollegato.
2. Rimuovere la borsa impermeabile dalla piastra di carico spingendo verso l'esterno il pulsante di sgancio rapido, inclinando la borsa impermeabile in direzione opposta alla piastra di carico.

### NOTA

Consultare le sezioni **Limiti di peso** e **Peso massimo del carico consentito** (p. 3) prima di usare questo accessorio.



**Figura 11. Installazione del supporto di sgancio rapido alla borsa**



**Figura 12. Borsa impermeabile sicura sulla piastra di carico**

# Set cesto di carico aperto e supporto di sgancio rapido

24045-00001 (Set cesto di carico aperto), 24043-00001 (Supporto di sgancio rapido)

Strumenti occorrenti
<ul style="list-style-type: none"><li>• Chiave a brugola da 4 mm</li><li>• Chiave dinamometrica</li></ul>

Parti	
(2) Cesto di carico aperto	(8) Dado Nyloc
(2) Supporto di sgancio rapido	(8) Copridado in plastica
(8) Vite di fissaggio esagonale da 12 mm	

## IMPORTANTE

Leggere e comprendere tutte le avvertenze (p.3) all'inizio di questo Manuale per l'installazione.

## Installazione

1. ⚠ Accertarsi che il PT sia spento e scollegato.
2. Installare un supporto di sgancio rapido su ciascun Cesto di carico aperto utilizzando quattro viti di fissaggio da 12 mm e quattro dadi Nyloc, come indicato in **Figura 13**. Serrare le viti di fissaggio a **6,0 N-m (4,4 ft-lbf)**.
3. **Installare i quattro copridado in plastica sopra i quattro dadi Nyloc.**
4. Fissare il cesto di carico aperto sul telaio di carico utilizzando il supporto di sgancio rapido, così come indicato nella **Figura 14**.

### NOTA

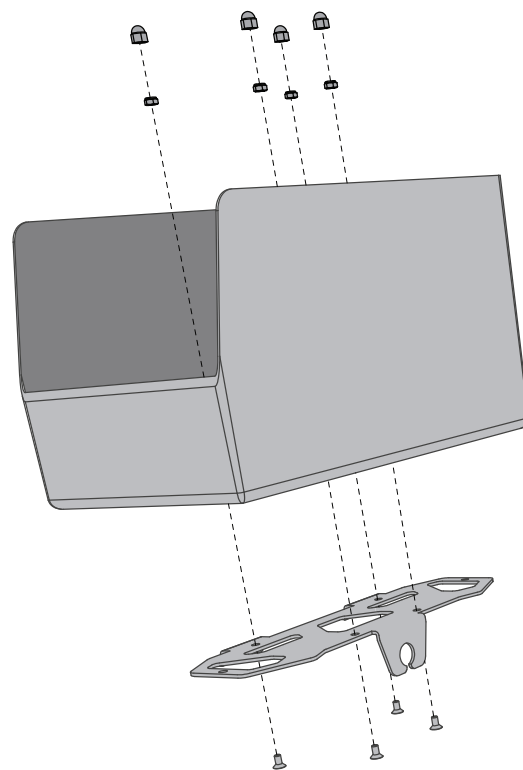
Verificare che il supporto di sgancio rapido si inserisca saldamente e in modo sicuro nel pulsante di sgancio rapido, con un chiaro "clic".

## Rimozione

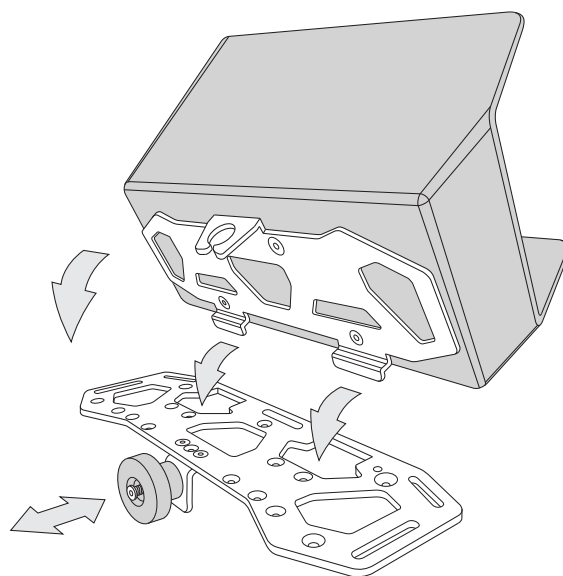
1. ⚠ Accertarsi che il PT sia spento e scollegato.
2. Rimuovere il cesto di carico aperto dalla piastra di carico spingendo verso l'esterno il pulsante di sgancio rapido, inclinando il cesto di carico aperto in direzione opposta alla piastra di carico.

### NOTA

Fare riferimento alle sezioni **Limiti di peso** e **Peso massimo del carico consentito** (p. 3) prima di usare questo accessorio.



**Figura 13. Installazione del supporto di sgancio rapido sul cesto**



**Figura 14. Fissaggio del cesto aperto alla piastra di carico**

# Borsa anteriore standard/Borsa anteriore Power-Pack

24046-00001 (Borsa anteriore standard), 24047-00001 (Borsa anteriore Power-Pack)

Strumenti occorrenti
<ul style="list-style-type: none"><li>• Chiave a brugola da 4 mm</li><li>• Chiave dinamometrica</li></ul>

Parti	
(1) Borsa anteriore	(1) Piastra stabilizzatrice
(2) Supporto Lean Steer	
(4) O-ring	
(2) Vite di fissaggio esagonale da 25 mm	

## IMPORTANTE

Leggere e comprendere tutte le avvertenze (p.3) all'inizio di questo manuale per l'installazione.

## Installazione

- ⚠ 1. Accertarsi che il PT sia spento e scollegato.
2. Installare la borsa anteriore sul Lean Steer utilizzando due viti di fissaggio da 25 mm, quattro O-ring (due su ciascun lato della piastra stabilizzatrice) e due supporti Lean Steer, come indicato in **Figura 15**. Serrare le viti di fissaggio a **11,0 N-m (8,1 ft-lbf)**.

### NOTA

Il supporto Lean Steer più vicino all'utilizzatore ha i bordi smussati (tondi) e i fori filettati.

Solo per borsa anteriore Power-Pack: assicurarsi di installare la borsa in un punto in cui è possibile raggiungere gli interruttori di luce/clacson senza staccare le mani dal manubrio.

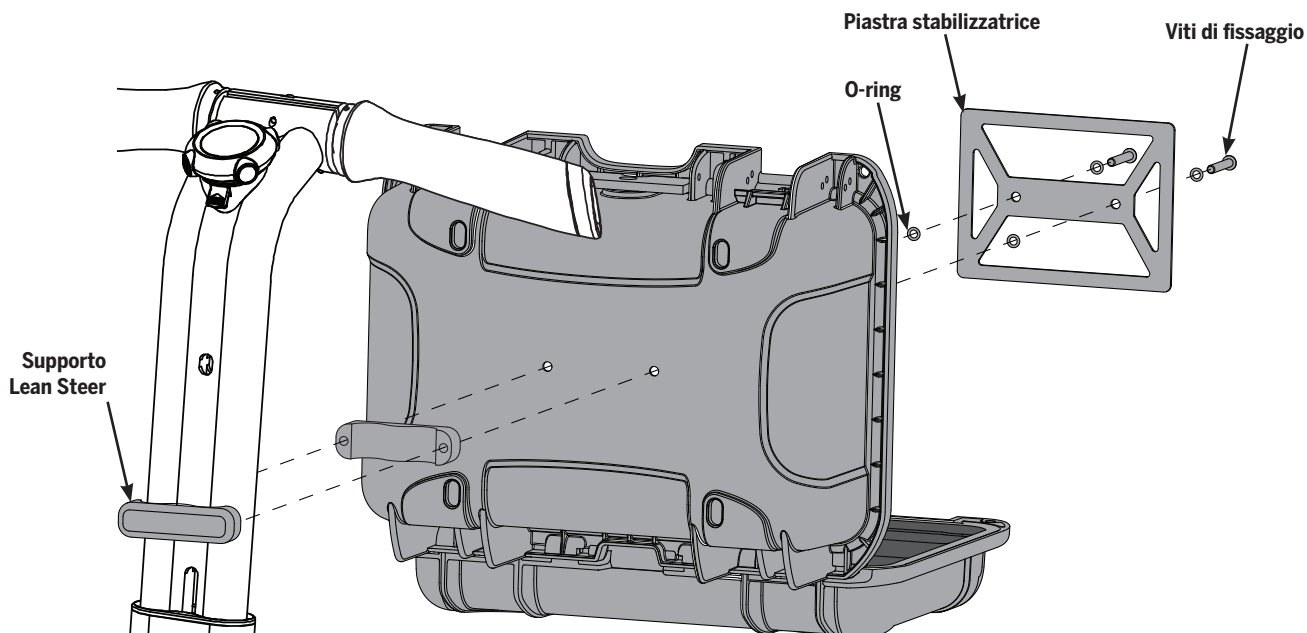
Verificare periodicamente la tenuta delle viti di fissaggio.

## Rimozione

- ⚠ 1. Accertarsi che il PT sia spento e scollegato.
2. Rimuovere la borsa anteriore dal Lean Steer in ordine inverso rispetto alla procedura sopra descritta.

### NOTA

Consultare le sezioni **Limiti di peso** e **Peso massimo del carico consentito** (p. 3) prima di usare l'accessorio.



**Figura 15. Installazione della borsa anteriore sul Lean Steer**

# Base accessori del manubrio

24048-00001

Strumenti occorrenti	Parti						
<ul style="list-style-type: none"><li>• Chiave a brugola da 4 mm</li><li>• Chiave dinamometrica</li></ul>	<table><tbody><tr><td>(1) Base</td><td>(2) Sfera di montaggio con vite di fissaggio</td></tr><tr><td>(3) Vite di fissaggio esagonale da 35 mm</td><td></td></tr><tr><td>(3) Distanziatore</td><td></td></tr></tbody></table>	(1) Base	(2) Sfera di montaggio con vite di fissaggio	(3) Vite di fissaggio esagonale da 35 mm		(3) Distanziatore	
(1) Base	(2) Sfera di montaggio con vite di fissaggio						
(3) Vite di fissaggio esagonale da 35 mm							
(3) Distanziatore							

## IMPORTANTE

Leggere e comprendere tutte le avvertenze (p.3) all'inizio di questo Manuale per l'installazione.

## Installazione

1. ⚠ Accertarsi che il PT sia spento e scollegato.
2. Rimuovere le tre viti di fissaggio standard dal manubrio.
3. Installare le due sfere di fissaggio e le viti di fissaggio (non in figura) sulla base. Serrare le viti di fissaggio a **6,0 N-m (4,4 ft-lbf)**.
4. Installare la base sul manubrio utilizzando tre viti di fissaggio da 35 mm e tre distanziatori, come indicato in **Figura 16**. Serrare le viti di fissaggio a **11,0 N-m (8,1 ft-lbf)**.

### NOTA

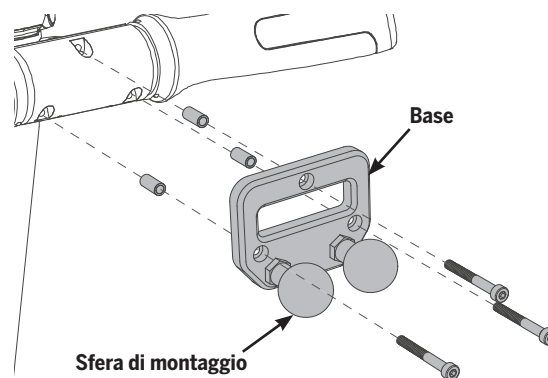
Verificare periodicamente la tenuta delle viti di fissaggio.

## Rimozione

1. ⚠ Accertarsi che il PT sia spento e scollegato.
2. Rimuovere la base dal manubrio in ordine inverso rispetto alla procedura sopra descritta.

### NOTA

Consultare le sezioni **Limiti di peso** e **Peso massimo del carico consentito** (p. 3) prima di usare questo accessorio.



**Figura 16. Installazione della base accessori del manubrio**

# Supporto per smartphone articolato

24049-00001

Strumenti occorrenti	Parti
<ul style="list-style-type: none"><li>Nessuno</li></ul>	(1) Supporto per telefono RAM® X-grip (1) braccio di prolunga da 3 pollici

## IMPORTANTE

Leggere e comprendere tutte le avvertenze (p.3) all'inizio di questo Manuale per l'installazione.

## Installazione

- ⚠ 1. Accertarsi che il PT sia spento e scollegato.
2. Installare il braccio di prolunga sulla sfera di montaggio del supporto per telefono, quindi montare il supporto stesso e il braccio di prolunga su una delle sfere di montaggio della base accessori del manubrio.
3. Orientare il supporto per telefono a discrezione, quindi serrare saldamente il braccio di prolunga.

### NOTA

Verificare sistematicamente la tenuta di tutte le viti di fissaggio e delle prolunghie.

## Rimozione

1. Allentare il braccio di prolunga, quindi rimuovere il supporto per telefono e il braccio di prolunga dalla base accessori del manubrio.

### NOTA

Consultare le sezioni **Limiti di peso** e **Peso massimo del carico consentito** (p. 3) prima di usare questo accessorio.

- ⚠ Non digitare messaggi di testo durante la guida. Interferirebbe con la capacità di controllare l'area circostante durante la guida, comportando un maggiore rischio di infortuni gravi, decessi o danni materiali dovuti a cadute o collisioni.

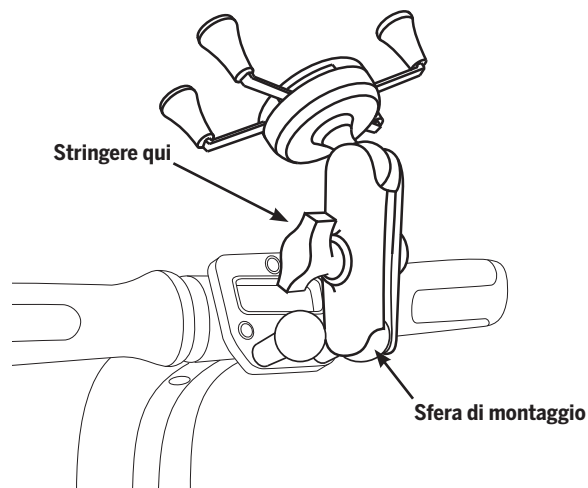


Figura 17. Installazione del supporto per smartphone

# Supporto per tablet articolato

24052-00001

Strumenti occorrenti	Parti
<ul style="list-style-type: none"><li>Nessuna</li></ul>	(1) Supporto per tablet RAM® X-grip (1) braccio di prolunga da 5,25 pollici

## IMPORTANTE

Leggere e comprendere tutte le avvertenze (p.3) all'inizio di questo Manuale per l'installazione.

## Installazione

- ⚠ 1. Accertarsi che il PT sia spento e scollegato.
2. Installare il braccio di prolunga sulla sfera di montaggio del supporto per tablet, montare il supporto per tablet e il braccio di prolunga su una delle sfere di montaggio sulla base accessori del manubrio.
3. Orientare il supporto per tablet a propria discrezione, quindi stringere accuratamente il braccio di prolunga.

### NOTA

Verificare sistematicamente la tenuta di tutte le viti di fissaggio e delle prolunghie.

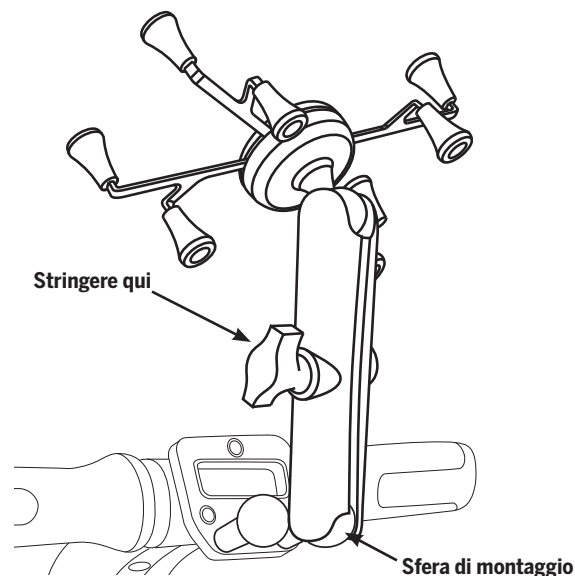
## Rimozione

1. Allentare il braccio di prolunga, quindi rimuovere il supporto per tablet e il braccio di prolunga dalla base accessori del manubrio.

### NOTA

Consultare le sezioni **Limiti di peso** e **Peso massimo del carico consentito** (p. 3) prima di usare questo accessorio.

- ⚠ Non utilizzare il tablet durante la guida. Interferirebbe con la capacità di controllare l'area circostante durante la guida, comportando un maggiore rischio di infortuni gravi, decessi o danni materiali dovuti a cadute o collisioni.



**Figura 18. Installazione del supporto per tablet**

# Cartellina portablocco con supporto articolato

24050-00001

## Strumenti occorrenti

- Chiave a brugola da 4 mm
- Chiave dinamometrica

## Parti

- (1) Portablocco
- (1) Braccio di prolunga da 5,25 pollici
- (1) Piastra base con sfera da 1 pollice
- (3) Vite di fissaggio esagonale da 16 mm
- (3) Dado Nyloc

## IMPORTANTE

Leggere e comprendere tutte le avvertenze (p.3) all'inizio di questo Manuale per l'installazione.

## Installazione

1. ⚠ Accertarsi che il PT sia spento e scollegato.
2. Installare la piastra base sul retro del portablocco, come indicato nella **Figura 19**, utilizzando tre viti di fissaggio da 16 mm e tre dadi Nyloc. Serrare le viti di fissaggio a **6,0 N-m (4,4 ft-lbf)**.
3. Installare il braccio di prolunga sulla sfera di montaggio della piastra base, quindi montare il portablocco e il braccio di prolunga su una delle sfere di montaggio della base accessori del manubrio.
4. Orientare il portablocco a propria discrezione, quindi stringere il braccio di prolunga.

### NOTA

Verificare sistematicamente la tenuta di tutte le viti di fissaggio e delle prolunghie.

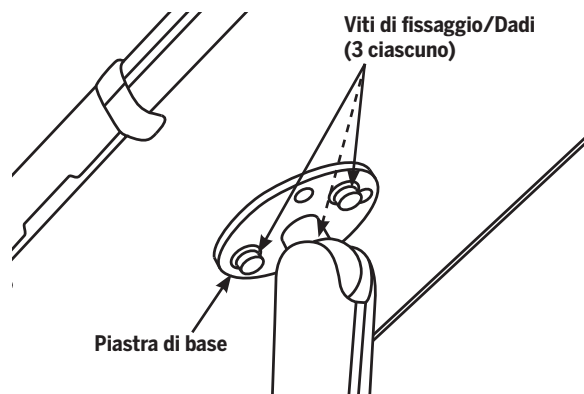
## Rimozione

1. Allentare il braccio di prolunga, quindi rimuovere il portablocco e la prolunga dalla base accessori del manubrio.

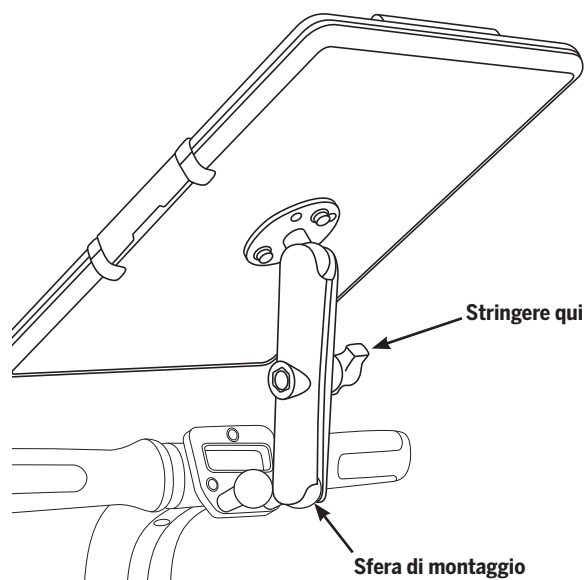
### NOTA

Fare riferimento alle sezioni **Limiti di peso** e **Peso massimo del carico consentito** (p. 3) prima di usare questo accessorio.

1. ⚠ Non leggere il blocco durante la guida. Interferirebbe con la capacità di controllare l'area circostante durante la guida, comportando un maggiore rischio di infortuni gravi, decessi o danni materiali dovuti a cadute o collisioni.



**Figura 19. Installazione della piastra base sul portablocco**



**Figura 20. Installazione portablocco**



# Portabottiglia universale

24051-00001

## Strumenti occorrenti

- Chiave a brugola da 4 mm
- Chiave dinamometrica
- Trapano elettrico
- Punta per trapano da 6-8 mm

## Parti

- (1) Portabottiglia
- (2) Cinghie in velcro
- (2) Vite di fissaggio da 16 mm
- (2) Dado Nyloc
- (2) Rondella di tenuta

## IMPORTANTE

Leggere e comprendere tutte le avvertenze (p.3) all'inizio di questo Manuale per l'installazione.

## Installazione

- ⚠ 1. Accertarsi che il PT sia spento e scollegato e che la borsa standard o power-pack sia installata sul montante Lean Steer.
2. Utilizzando il portabottiglia come modello, segnare la posizione dei due fori dove installare il portabottiglia. Praticare i fori di montaggio utilizzando una punta per trapano da 6-8 mm.

### NOTA

Assicurarsi di non forare nessun componente interno della borsa Power-Pack.

3. Installare il portabottiglia sulla borsa utilizzando due viti di fissaggio da 16 mm, due rondelle di tenuta e due dadi Nyloc come indicato nella **Figura 21**. Serrare le viti di fissaggio a **6,0 N-m (4,4 ft-lbf)**.
4. Fissare la bottiglia al supporto utilizzando le due cinghie in Velcro.

NOTA: assicurarsi di verificare periodicamente la tenuta delle viti di fissaggio.

## Rimozione

- ⚠ 1. Accertarsi che il PT sia spento e scollegato.
2. Rimuovere le due viti di fissaggio da 16 mm che fissano il portabottiglia alla borsa.
3. Per mantenere l'impermeabilità, reinstallare le due viti di fissaggio da 16 mm alla borsa utilizzando le due rondelle di tenuta e i dadi Nyloc.

### NOTA

Fare riferimento alle sezioni **Limiti di peso** e **Peso massimo del carico consentito** (p. 3) prima di usare l'accessorio.

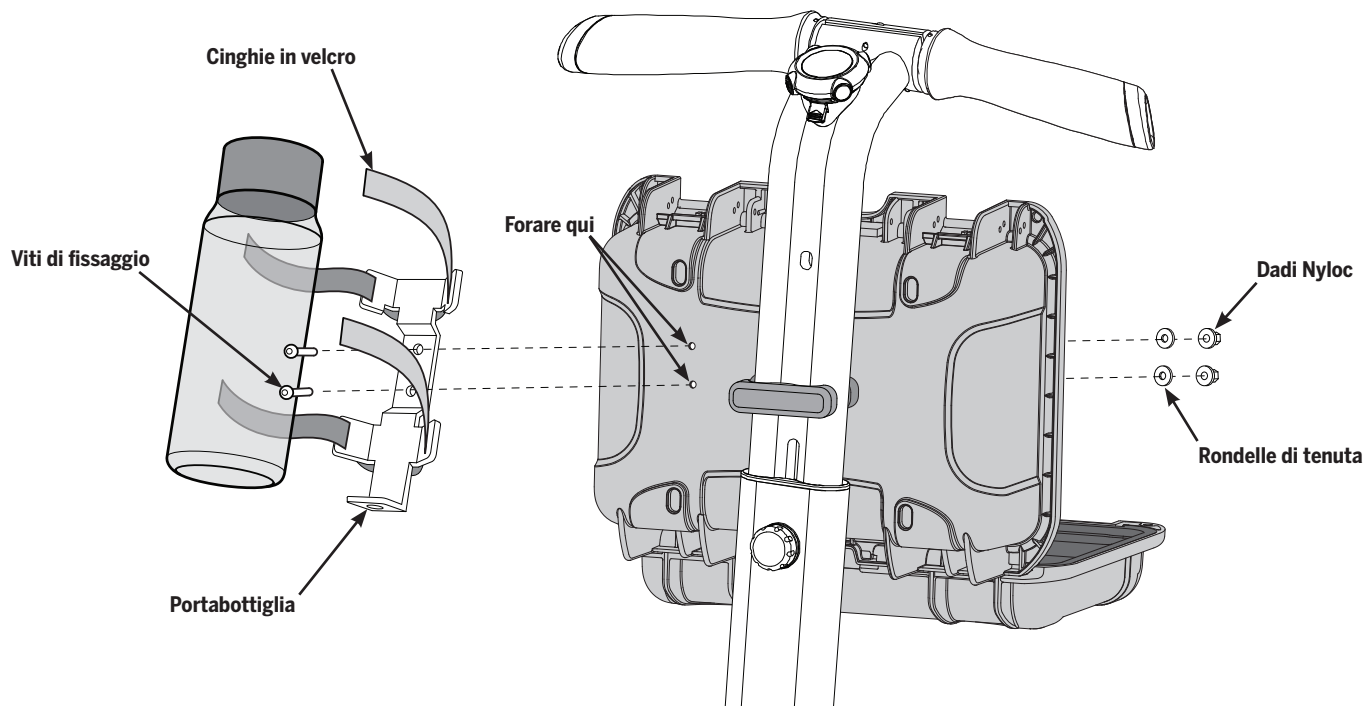


Figura 21. Installazione del portabottiglia universale

**DOMANDE?**

Se riscontrate la mancanza di una parte o in caso di domande vi invitiamo a contattare il rivenditore autorizzato Segway. Per individuare il rivenditore più vicino consultate il sito [www.segway.com](http://www.segway.com). Il presente documento è disponibile anche su [www.segway.com](http://www.segway.com)

**GARANZIA LIMITATA/GARANZIA**

Le parti elencate nel presente documento sono "Accessori" coperti dalla garanzia limitata/garanzia di Segway Personal Transporter Limited (copia consegnata con questo kit).

# Inhaltsverzeichnis

Table of Contents • Table des matières • Sommario •  
Contenidos • 目次 • 目录

English.....	2
Français.....	17
Italiano.....	32
Deutsch.....	47
Español.....	62
日本語.....	77
中文.....	92
Sicherheit.....	48
i2 SE Rahmenhalterung.....	49
x2 SE Seitliche Rahmenhalterung.....	50
Cargo-Klammern und Cargo-Träger (i2 SE).....	51
Cargo-Träger (x2 SE).....	52
Wasserdichtes Cargo-Boxset und Schnellverriegelungsvorrichtung.....	53
Offener Aufbewahrungsbehälter und Schnellverriegelungsvorrichtung.....	54
Vorderes Standard-Gehäuse/vorderes Power-Pack-Gehäuse.....	55
Montageplatte für Lenkstangenzubehör.....	56
Kippbare Montagevorrichtung für Smartphone-Halter.....	57
Kippbare Montagevorrichtung für Tablet-Halter.....	58
Clipboard-Gehäuse mit kippbarer Montagevorrichtung.....	59
Universal-Trinkflaschenhalterung.....	60

# Sicherheit

## **WARNUNG**

- Alle Fahrer sollten die Anweisungen in diesen Anwenderhandbüchern lesen. Bei Nichteinhaltung dieser Warnungen kann es zu schweren bis tödlichen Verletzungen oder Sachschäden kommen.
- Diese Montageanleitungen werden mit dem Anwenderhandbuch für Segway Personal Transporter (PT) und dem Sicherheitsvideo zum Segway PT mitgeliefert. Stellen Sie sicher, dass Sie das Anwenderhandbuch gelesen und verstanden und das Sicherheitsvideo vor Benutzung des PT gesehen haben.
- Schalten Sie Ihren PT stets aus und ziehen Sie das Netzkabel, bevor Sie Wartungsarbeiten durchführen und weitere Teile oder Zubehör montieren.
- Der Transport von Lasten in Behältern und Boxen ändert das Fahrverhalten des Segway PT. Je größer das Gewicht, desto stärker die Veränderung. Machen Sie sich mit diesen Veränderungen vertraut, indem Sie langsam fahren.
- Das wasserdichte Cargo-Boxset und der offene Aufbewahrungsbehälter schränken zwar den Bewegungsbereich des Fahrers ein, sie machen aber den PT insgesamt breiter. Dadurch können sich Fahrer nicht mehr so gut in Kurven und/oder beim Bergauffahren in den Hang lehnen, um die Seitenstabilität zu erhalten. Dies kann die Kollisionsgefahr erhöhen und/oder den Fahrer im Falle einer Kollision, eines Traktionsverlusts, einer Sicherheitsabschaltung oder anderen Notfällen am seitlichen Absteigen hindern. Die höhere Gesamtbreite des mit diesem Zubehör ausgerüsteten PT kann das Fahren durch Eingänge erschweren und Stürze, Kollisionen oder Traktionsverlust durch Anfahren anderer Objekte verursachen. Beim Fahren eines mit diesem Zubehör ausgerüsteten PT kann also ein höheres Verletzungsrisiko bestehen.
- Fahrer eines PT mit Zubehör sollten insbesondere rutschige Oberflächen und Hindernisse sowie steile Abhänge vermeiden und nicht zu schnell in Kurven fahren.
- Verwenden Sie den Segway Ständer nicht, wenn das Gefährt mit dem Zubehör ausgerüstet ist. Dieser Ständer ist nur zur Unterstützung von nicht beladenen PTs konzipiert und funktioniert nicht bei Beladung mit Zubehör.
- Setzen oder stellen Sie sich nicht auf Rahmenhalterungen, Platten, Gehäuse oder Behälter. Setzen Sie keine Kinder oder Haustiere in offene Behälter, Cargo-Boxen oder auf Rahmenhalterungen.
- Lassen Sie einen PT niemals los, wenn er sich im Balance-Modus befindet, sonst könnte er eine kurze Strecke allein zurücklegen und Verletzungen oder Schäden verursachen.
- Verwenden Sie nur von Segway genehmigte Ersatzteile, Befestigungen und Zubehör und befestigen Sie sie mit dem vorgeschriebenem Anzugsmoment.
- Überprüfen Sie in regelmäßigen Abständen die Festigkeit aller Befestigungen.

## **WARNUNG**

Stellen Sie sicher, dass das Gesamtgewicht aus Fahrer, Zubehör und vom Fahrer auf dem PT mitgeführte Ladung nicht über 118 kg liegt. Eine Überschreitung der folgenden Gewichtsbegrenzungen erhöht das Sturz- und Verletzungsrisiko, insbesondere an Hängen und auf unebenem Gelände.

### **Gewichtsbegrenzungen:**

- Maximale Gesamtzuladung (Gewicht des Fahrers plus Ladung): **118 kg**
- Maximale Gesamtzuladung an LeanSteer-Lenker (einschließlich vorderes Gehäuse, Ladung und Telefon-, Tablet-, Clipboard-Halter): **5,4 kg**
- Maximale Gesamtzuladung auf jeder Rahmenhalterung: **6,8 kg**

### **Maximal zulässiges Ladegewicht (in/auf jedem Zubehör):**

- Vorderes Standard-Gehäuse: 3,4 kg
- Vorderes Power-Pack-Gehäuse: 2,5 kg
- Wasserdichtes Cargo-Boxset: 3,2 kg
- Offener Aufbewahrungsbehälter: 4,6 kg
- Montagevorrichtung für Smartphone-Halter: 0,23 kg
- Montagevorrichtung für Tablet-Halter: 0,45 kg
- Montagevorrichtung für Clipboard-Gehäuse: 0,45 kg
- Universal-Trinkflaschenhalterung: 1,23 kg

# i2 SE Rahmenhalterung

20412-00001

## Benötigtes Werkzeug

- 4-mm-Innensechskantschlüssel
- Drehmomentschlüssel

## Teile

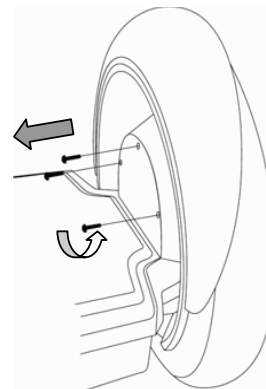
- (2) i2 SE Rahmenhalterung
- (6) 28-mm-Sechskantschraube
- (6) Unterlegscheibe

## WICHTIG

Stellen Sie sicher, dass Sie alle Warnungen (S. 3) am Anfang dieser Montageanleitung gelesen und verstanden haben.

## Montage

- ⚠ 1. Achten Sie darauf, dass der PT ausgeschaltet und vom Netz getrennt ist.
2. Lösen Sie mit einem 4-mm-Innensechskantschlüssel die drei Befestigungen, mit denen jede Getriebeabdeckung fixiert ist, und bewahren Sie sie an einem sicheren Ort auf. Siehe **Abbildung 1**.
3. Richten Sie die i2 SE Rahmenhalterung an den Bohrungen in der Getriebeabdeckung aus.
4. Führen Sie drei der mitgelieferten 28-mm-Befestigungen durch die drei Unterlegscheiben, die i2 SE Rahmenhalterung, die Getriebeabdeckung und das Getriebe. Ziehen Sie die Befestigungen mit einem Anzugsmoment von **6,0 Nm (4,4 ft-lbf)** fest.  
Siehe **Abbildung 2**.



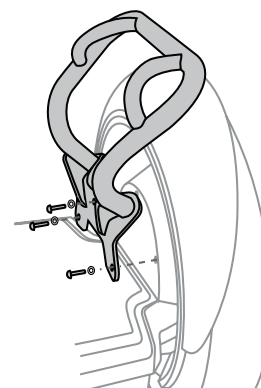
**Abbildung 1. Entfernen der Getriebeabdeckung**

## Entfernen

- ⚠ 1. Achten Sie darauf, dass der PT ausgeschaltet und vom Netz getrennt ist.
2. Entfernen Sie die i2 SE Rahmenhalterung, indem Sie in umgekehrter Reihenfolge vorgehen.

## HINWEIS

Siehe auch die Abschnitte **Gewichtsbegrenzungen** und **Maximal zulässiges Ladegewicht** (S. 3) vor Verwendung des Zubehörs.



**Abbildung 2. Montage der i2 Rahmenhalterung**

# x2 SE Seitliche Rahmenhalterung

24018-00001

## Benötigtes Werkzeug

- 4-mm-Innensechskantschlüssel
- Drehmomentschlüssel

## Teile

(1) x2 SE Seitliche Rahmenhalterung

## Entfernen des x2 SE Kotflügels/Schutzblechbaugruppe:

1. Stellen Sie sicher, dass der Segway PT ausgeschaltet und vom Netz getrennt ist.
2. Entfernen Sie die drei 28-mm-Befestigungen mithilfe eines 4-mm-Innensechskantschlüssels und bewahren Sie diese an einem sicheren Ort auf (siehe **Abbildung 3**).
3. Nehmen Sie die Kotflügel- und Kotflügel-Schutzblech-Baugruppe ab und reinigen Sie die Radauflagefläche.
4. Um das Kotflügel-Schutzblech vom Kotflügel abzubauen, müssen Sie die vier 18-mm-Befestigungen mithilfe eines 4-mm-Innensechskantschlüssels lösen (siehe **Abbildung 4**).

## Montage der seitlichen Rahmenhalterung für x2 SE:

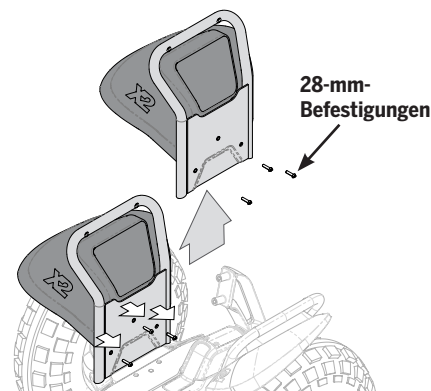
1. Stellen Sie sicher, dass der Segway PT ausgeschaltet und vom Netz getrennt ist.
2. Führen Sie die vier 18-mm-Befestigungen durch den Kotflügel und in die seitliche Rahmenhalterung. Ziehen Sie die Befestigungen mit einem 4-mm-Innensechskantschlüssel an, bis sie fest sitzen. Ziehen Sie noch um eine weitere halbe bis eine Umdrehung an.
3. Führen Sie die drei 28-mm-Befestigungen durch die Kotflügel- und Kotflügel-Schutzblechbaugruppe in die Getriebeabdeckung am PT.
4. Ziehen Sie sie mit einem 4-mm-Innensechskantschlüssel auf **6,0 Nm (4,4 ft-lbf)** an.

## HINWEIS

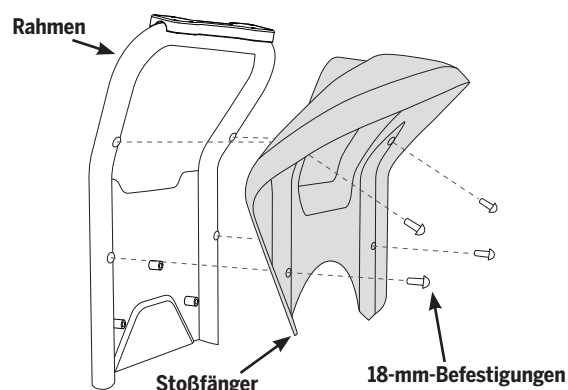
Siehe auch die Abschnitte **Gewichtsbegrenzungen** und **Maximal zulässiges Ladegewicht** (S. 3) vor Verwendung des Zubehörs.

## WICHTIG

Stellen Sie sicher, dass Sie alle Warnungen (S. 3) am Anfang dieser Montageanleitung gelesen und verstanden haben.



**Abbildung 3. Entfernen des Kotflügel-Schutzblechs für das Modell x2 SE**



**Abbildung 4. Montage des Kotflügels an der seitlichen x2 SE Rahmenhalterung**

# Cargo-Klammern und Cargo-Träger (für Modell i2 SE)

24078-00001 (Cargo-Klammern), 24042-00001 (Cargo-Träger)

Benötigtes Werkzeug	Teile	
<ul style="list-style-type: none"><li>• 4-mm-Innensechskantschlüssel</li><li>• Drehmomentschlüssel</li></ul>	(4) i2 SE Cargo-Klammer	(2) Schnellverriegelungsknopf
	(16) 35-mm-Sechskantschraube	(4) 16-mm-Sechskantschraube
	(2) Cargo-Träger	(4) Sicherungsmutter
	(12) Gummiringdichtung	

## WICHTIG

Stellen Sie sicher, dass Sie alle Warnungen (S. 3) am Anfang dieser Montageanleitung gelesen und verstanden haben.

## Montage

- ⚠ 1. Achten Sie darauf, dass der PT ausgeschaltet und vom Netz getrennt ist.
2. Montieren Sie die sechs Gummiringdichtungen wie in **Abbildung 5** gezeigt an jedem Cargo-Träger.
3. Montieren Sie einen Schnellverriegelungsknopf mithilfe von zwei 16-mm-Befestigungen und zwei Sicherungsmuttern wie in **Abbildung 6** gezeigt an jedem Cargo-Träger. Ziehen Sie die Befestigungen mit einem Anzugsmoment von **6,0 Nm (4,4 ft-lbf)** fest.
4. Bringen Sie die Cargo-Klammern wie gezeigt an der i2 SE Rahmenhalterung an. Die Klammern mit Innengewinde, sollten sich auf der Unterseite der i2 SE Rahmenhalterung befinden. Siehe **Abbildung 7**.
5. Richten Sie den Cargo-Träger so aus, dass er sich mit den Cargo-Klammern deckt. Siehe **Abbildung 7**.
6. Führen Sie acht der mitgelieferten 35-mm-Befestigungen durch den Cargo-Träger in die Cargo-Klammern. Ziehen Sie die Befestigungen mit einem Anzugsmoment von **6,0 Nm (4,4 ft-lbf)** fest.

## Entfernen

- ⚠ 1. Achten Sie darauf, dass der PT ausgeschaltet und vom Netz getrennt ist.
2. Entfernen Sie den Cargo-Träger und die Cargo-Klammern, indem Sie in umgekehrter Reihenfolge vorgehen.

## HINWEIS

Siehe auch die Abschnitte **Gewichtsbegrenzungen** und **Maximal zulässiges Ladegewicht** (S. 3) vor Verwendung des Zubehörs.

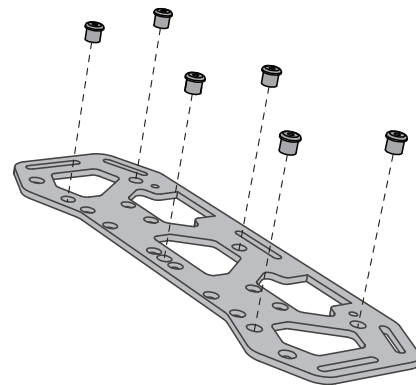


Abbildung 5. Montage der Gummiringdichtung

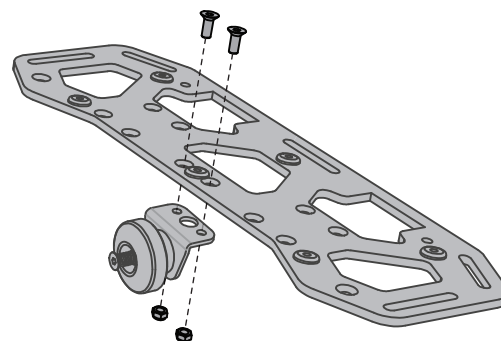


Abbildung 6. Montage des Schnellverriegelungsknopfs

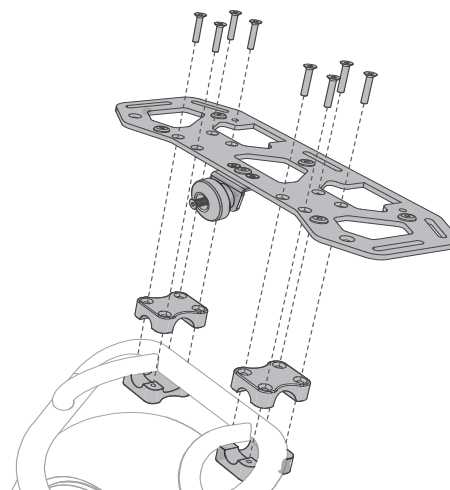


Abbildung 7. Montage von Cargo-Klammern und Cargo-Träger

# Cargo-Träger (für Modell x2 SE)

24042-00001 (Cargo-Träger)

Benötigtes Werkzeug	Teile
<ul style="list-style-type: none"><li>• 4-mm-Innensechskantschlüssel</li><li>• Drehmomentschlüssel</li></ul>	<ul style="list-style-type: none"><li>(2) Cargo-Träger</li><li>(16) 35-mm-Sechskantschraube</li><li>(12) Gummiringdichtung</li><li>(2) Schnellverriegelungsknopf</li><li>(4) 16-mm-Sechskantschraube</li><li>(4) Sicherungsmutter</li></ul>

## WICHTIG

Stellen Sie sicher, dass Sie alle Warnungen (S. 3) am Anfang dieser Montageanleitung gelesen und verstanden haben.

## Montage

- ⚠ 1. Achten Sie darauf, dass der PT ausgeschaltet und vom Netz getrennt ist.
2. Montieren Sie die sechs Gummiringdichtungen wie in **Abbildung 8** gezeigt an jedem Cargo-Träger.
3. Montieren Sie einen Schnellverriegelungsknopf mithilfe von zwei 16-mm-Befestigungen und zwei Sicherungsmuttern wie in **Abbildung 9** gezeigt an jedem Cargo-Träger. Ziehen Sie die Befestigungen mit einem Anzugsmoment von **6,0 Nm (4,4 ft-lbf)** fest.
4. Richten Sie den Cargo-Träger so aus, dass er sich mit der seitlichen Rahmenhalterung deckt. Siehe **Abbildung 10**.
5. Führen Sie acht der mitgelieferten 35-mm-Befestigungen durch den Cargo-Träger in die seitliche Rahmenhalterung. Ziehen Sie die Befestigungen mit einem Anzugsmoment von **6,0 Nm (4,4 ft-lbf)** fest.

## Entfernen

- ⚠ 1. Achten Sie darauf, dass der PT ausgeschaltet und vom Netz getrennt ist.
2. Entfernen Sie den Cargo-Träger, indem Sie in umgekehrter Reihenfolge vorgehen.

## HINWEIS

Siehe auch die Abschnitte **Gewichtsbegrenzungen** und **Maximal zulässiges Ladegewicht** (S. 3) vor Verwendung des Zubehörs.

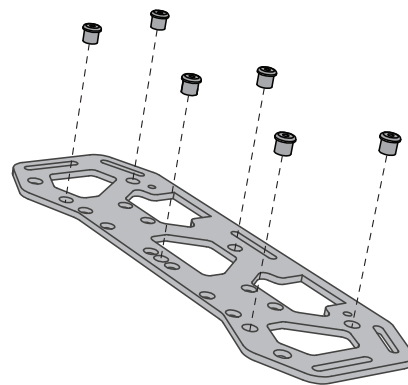


Abbildung 8. Montage der Gummiringdichtung

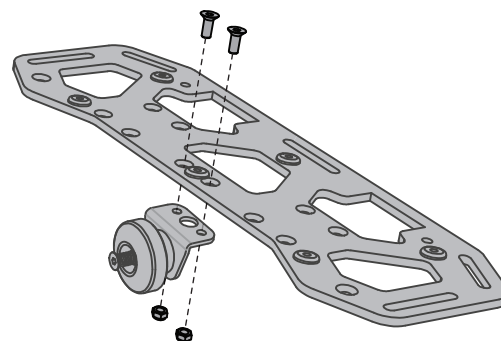


Abbildung 9. Montage des Schnellverriegelungsknopfs

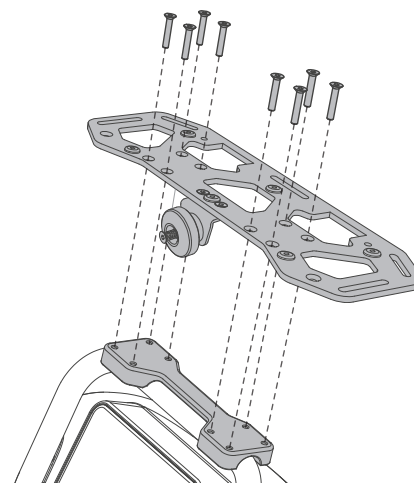


Abbildung 10. Montage des Cargo-Trägers



# Wasserdichtes Cargo-Boxset und Schnellverriegelungsvorrichtung

24044-00001 (wasserdichte Cargo-Box), 24043-00001 (Schnellverriegelungsvorrichtung)

Benötigtes Werkzeug	Teile								
<ul style="list-style-type: none"><li>• 4-mm-Innensechskantschlüssel</li><li>• Drehmomentschlüssel</li></ul>	<table border="0"><tr><td>(2) Wasserdichte Box</td><td>(8) Sicherungsmutter</td></tr><tr><td>(2) Schnellverriegelungsvorrichtung</td><td>(8) Kunststoffkappe für Mutter</td></tr><tr><td>(4) Abstandshalter</td><td></td></tr><tr><td>(8) 20-mm-Sechskantschraube</td><td></td></tr></table>	(2) Wasserdichte Box	(8) Sicherungsmutter	(2) Schnellverriegelungsvorrichtung	(8) Kunststoffkappe für Mutter	(4) Abstandshalter		(8) 20-mm-Sechskantschraube	
(2) Wasserdichte Box	(8) Sicherungsmutter								
(2) Schnellverriegelungsvorrichtung	(8) Kunststoffkappe für Mutter								
(4) Abstandshalter									
(8) 20-mm-Sechskantschraube									

## WICHTIG

Stellen Sie sicher, dass Sie alle Warnungen (S. 3) am Anfang dieser Montageanleitung gelesen und verstanden haben.

## Montage

1. Achten Sie darauf, dass der PT ausgeschaltet und vom Netz getrennt ist.
2. Montieren Sie die Schnellverriegelungsvorrichtung mithilfe der vier 20-mm-Befestigungen, zwei Abstandshalter (zwischen Halterung und Box) und vier Sicherungsmuttern wie in **Abbildung 11** gezeigt an der wasserdichten Box. Ziehen Sie die Befestigungen mit einem Anzugsmoment von **11,0 Nm (8,1 ft-lbf)** fest.
3. Bringen Sie vier Kunststoffkappen über den vier Sicherheitsmutter an.
4. Sichern Sie den wasserdichten Behälter mithilfe der Schnellverriegelungsvorrichtung wie in **Abbildung 12** gezeigt am Cargo-Träger.

## HINWEIS

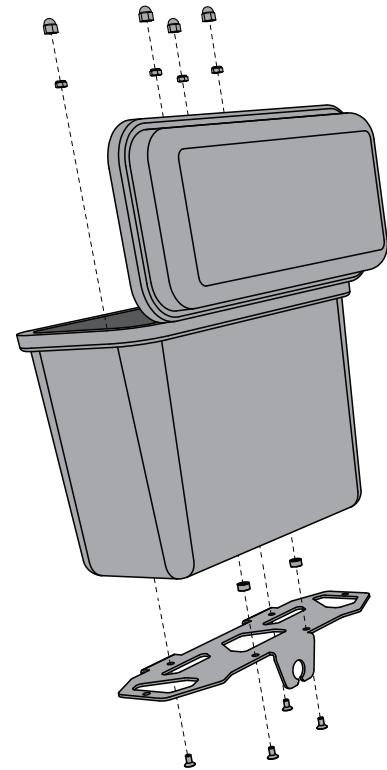
Stellen Sie sicher, dass der Schnellverriegelungsknopf fest und sicher mit einem hörbaren Klick in die Schnellverriegelungsvorrichtung einrastet.

## Entfernen

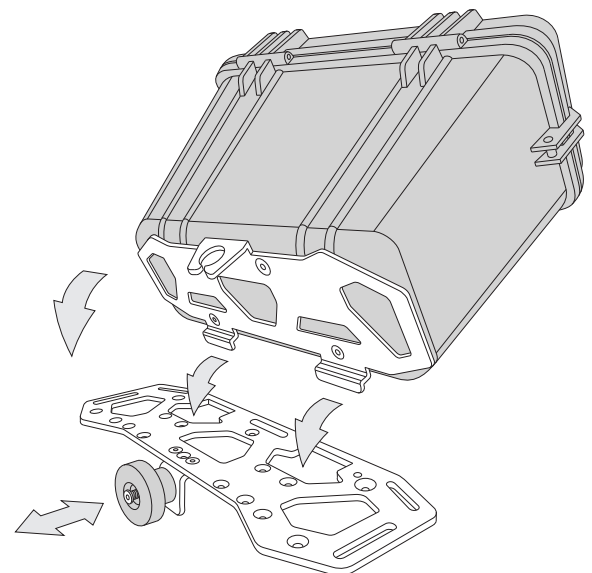
1. Achten Sie darauf, dass der PT ausgeschaltet und vom Netz getrennt ist.
2. Entfernen Sie die wasserdichte Box vom Cargo-Träger, indem Sie den Schnellverriegelungsknopf herausziehen, während die Box vom Cargo-Träger weggekippt wird.

## HINWEIS

Siehe auch die Abschnitte **Gewichtsbegrenzungen** und **Maximal zulässiges Ladegewicht** (S. 3) vor Verwendung des Zubehörs.



**Abbildung 11. Montage der Schnellverriegelungsvorrichtung an der Box**



**Abbildung 12. Befestigung der wasserdichten Box auf dem Cargo-Träger**

# Offener Aufbewahrungsbehälter und Schnellverriegelungsvorrichtung

24045-00001 (Offener Aufbewahrungsbehälter), 24043-00001 (Schnellverriegelungsvorrichtung)

Benötigtes Werkzeug	Teile						
<ul style="list-style-type: none"><li>• 4-mm-Innensechskantschlüssel</li><li>• Drehmomentschlüssel</li></ul>	<table><tr><td>(2) Offener Aufbewahrungsbehälter</td><td>(8) Sicherungsmutter</td></tr><tr><td>(2) Schnellverriegelungsvorrichtung</td><td>(8) Kunststoffkappe für Mutter</td></tr><tr><td>(8) 12-mm-Sechskantschraube</td><td></td></tr></table>	(2) Offener Aufbewahrungsbehälter	(8) Sicherungsmutter	(2) Schnellverriegelungsvorrichtung	(8) Kunststoffkappe für Mutter	(8) 12-mm-Sechskantschraube	
(2) Offener Aufbewahrungsbehälter	(8) Sicherungsmutter						
(2) Schnellverriegelungsvorrichtung	(8) Kunststoffkappe für Mutter						
(8) 12-mm-Sechskantschraube							

## WICHTIG

Stellen Sie sicher, dass Sie alle Warnungen (S. 3) am Anfang dieser Montageanleitung gelesen und verstanden haben.

## Montage

1. Achten Sie darauf, dass der PT ausgeschaltet und vom Netz getrennt ist.
2. Montieren Sie die Schnellverriegelungsvorrichtung mithilfe der vier 12-mm-Befestigungen und vier Sicherheitsmutter wie in **Abbildung 13** gezeigt an jedem offenen Aufbewahrungsbehälter. Ziehen Sie die Befestigungen mit einem Anzugsmoment von **6,0 Nm (4,4 ft-lbf)** fest.
3. Bringen Sie vier Kunststoffkappen über den vier Sicherheitsmutter an.
4. Sichern Sie den offenen Aufbewahrungsbehälter mithilfe der Schnellverriegelungsvorrichtung wie in **Abbildung 14** gezeigt am Cargo-Träger.

## HINWEIS

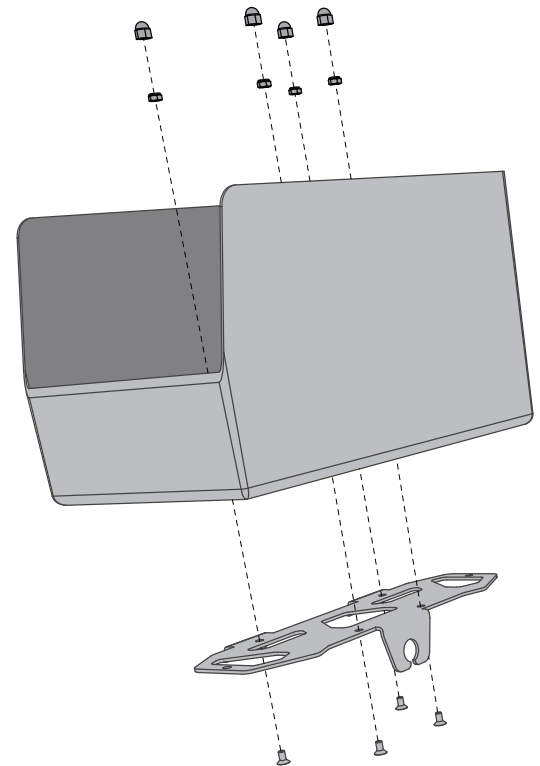
Stellen Sie sicher, dass der Schnellverriegelungsknopf fest und sicher mit einem hörbaren Klick in die Schnellverriegelungsvorrichtung einrastet.

## Entfernen

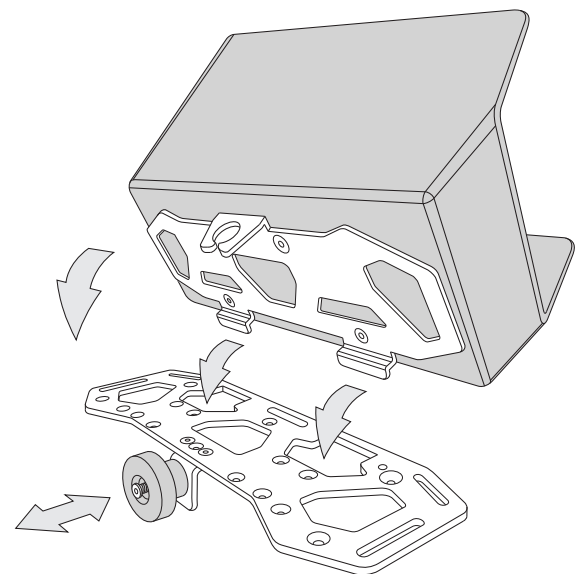
1. Achten Sie darauf, dass der PT ausgeschaltet und vom Netz getrennt ist.
2. Entfernen Sie den Aufbewahrungsbehälter vom Cargo-Träger, indem Sie den Schnellverriegelungsknopf herausziehen, während der Behälter vom Cargo-Träger weggekippt wird.

## HINWEIS

Siehe auch die Abschnitte **Gewichtsbegrenzungen** und **Maximal zulässiges Ladegewicht** (S. 3) vor Verwendung des Zubehörs.



**Abbildung 13. Montage der Schnellverriegelungsvorrichtung am Behälter**



**Abbildung 14. Befestigung des offenen Behälters am Cargo-Träger**

# Vorderes Standard-Gehäuse/vorderes Power-Pack-Gehäuse

24046-00001 (vorderes Standard-Gehäuse), 24047-00001 (vorderes Power-Pack-Gehäuse)

Benötigtes Werkzeug	Teile
<ul style="list-style-type: none"><li>• 4-mm-Innensechskantschlüssel</li><li>• Drehmomentschlüssel</li></ul>	(1) Vorderes Gehäuse (1) Stabilisierungsplatte (2) LeanSteer-Halterung (4) O-Ring (2) 25-mm-Sechskantschraube

## WICHTIG

Stellen Sie sicher, dass Sie alle Warnungen (S. 3) am Anfang dieser Montageanleitung gelesen und verstanden haben.

## Montage

- ⚠ 1. Achten Sie darauf, dass der PT ausgeschaltet und vom Netz getrennt ist.
2. Montieren Sie das vordere Gehäuse mithilfe von zwei 25-mm-Befestigungen, vier O-Ringen (zwei auf jeder Seite der Stabilisierungsplatte) und zwei LeanSteer-Halterungen wie in **Abbildung 15** gezeigt an der LeanSteer-Lenker. Ziehen Sie die Befestigungen mit einem Anzugsmoment von **11,0 Nm (8,1 ft-lbf)** fest.

## HINWEIS

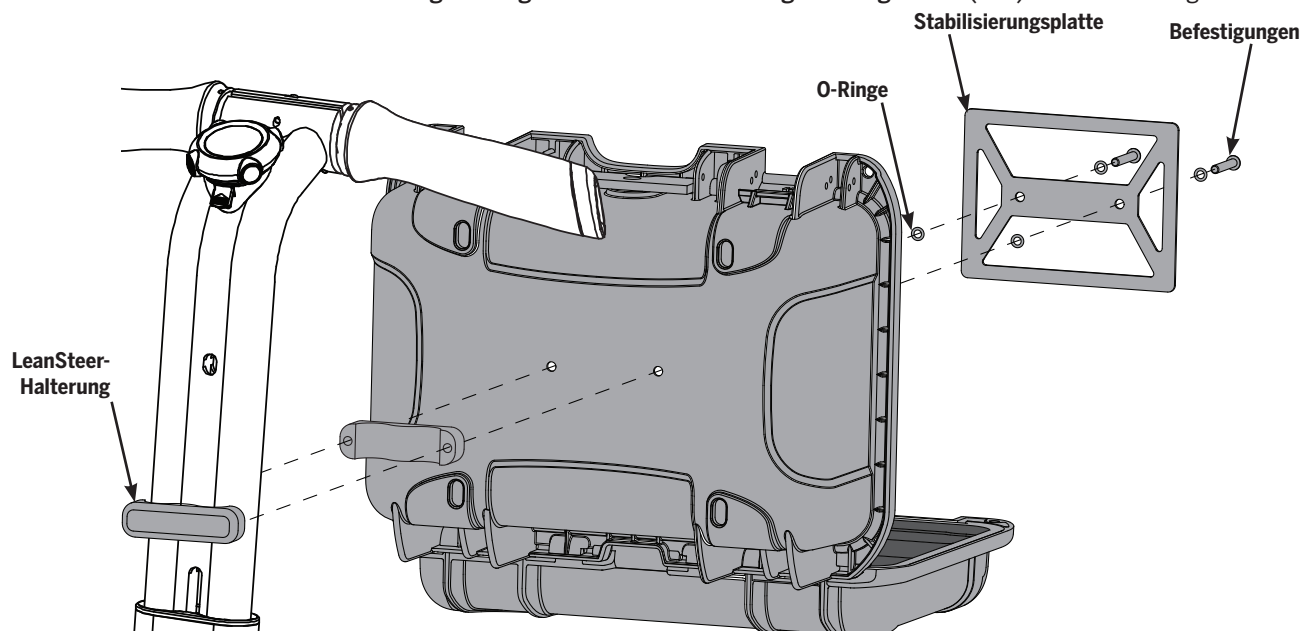
Die LeanSteer-Halterung, die dem Fahrer am nächsten ist, verfügt über abgefaste (abgerundete) Kanten und Gewindelöcher. Gilt nur für vorderes Power-Pack-Gehäuse: Stellen Sie sicher, dass Sie das Gehäuse so montieren, dass Sie die Schalter für Licht und Hupe auch ohne Loslassen der Lenkstange erreichen können. Überprüfen Sie in regelmäßigen Abständen die Festigkeit aller Befestigungen.

## Entfernen

- ⚠ 1. Achten Sie darauf, dass der PT ausgeschaltet und vom Netz getrennt ist.
2. Entfernen Sie das vordere Gehäuse vom LeanSteer-Lenker, indem Sie in umgekehrter Reihenfolge vorgehen.

## HINWEIS

Siehe auch die Abschnitte **Gewichtsbegrenzungen** und **Maximal zulässiges Ladegewicht** (S. 3) vor Verwendung des Zubehörs.



**Abbildung 15. Montage des vorderen Gehäuses an den LeanSteer-Lenker**

# Montageplatte für Lenkstangenzubehör

24048-00001

Benötigtes Werkzeug	Teile
<ul style="list-style-type: none"><li>• 4-mm-Innensechskantschlüssel</li><li>• Drehmomentschlüssel</li></ul>	(1) Montageplatte (3) 35-mm-Sechskantschraube (3) Abstandshalter
	(2) Kugelgelenkhalterung mit Befestigung

## WICHTIG

Stellen Sie sicher, dass Sie alle Warnungen (S. 3) am Anfang dieser Montageanleitung gelesen und verstanden haben.

## Montage

1. Achten Sie darauf, dass der PT ausgeschaltet und vom Netz getrennt ist.
2. Entfernen Sie die drei Standard-Befestigungen von der Lenkstange.
3. Montieren Sie die zwei Kugelgelenke und Befestigungen (nicht im Bild) an der Montageplatte. Ziehen Sie die Befestigungen mit einem Anzugsmoment von **6,0 Nm (4,4 ft-lbf)** fest.
4. Montieren Sie die Montageplatte mit drei 35-mm-Befestigungen und drei Abstandshaltern wie in **Abbildung 16** gezeigt am Lenkrad. Ziehen Sie die Befestigungen mit einem Anzugsmoment von **11,0 Nm (8,1 ft-lbf)** fest.

## HINWEIS

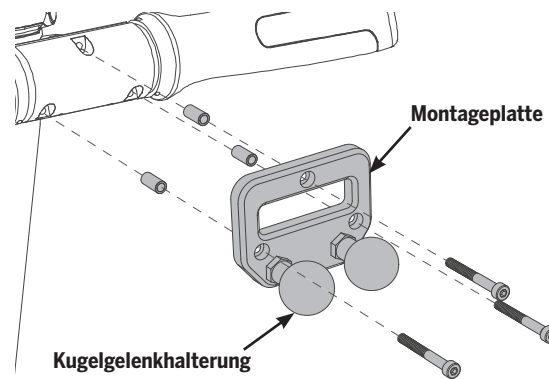
Überprüfen Sie in regelmäßigen Abständen die Festigkeit aller Befestigungen.

## Entfernen

1. Achten Sie darauf, dass der PT ausgeschaltet und vom Netz getrennt ist.
2. Entfernen Sie das vordere Gehäuse vom LeanSteer-Lenker, indem Sie in umgekehrter Reihenfolge vorgehen.

## HINWEIS

Siehe auch die Abschnitte **Gewichtsbegrenzungen** und **Maximal zulässiges Ladegewicht** (S. 3) vor Verwendung des Zubehörs.



**Abbildung 16. Installation der Montageplatte für Lenkstangenzubehör**

# Kippbare Montagevorrichtung für Smartphone-Halter

24049-00001

Benötigtes Werkzeug
• Keine

Teile
(1) RAM® X-grip Telefon-Halter
(1) 3-Zoll-Verlängerungsarm

## WICHTIG

Stellen Sie sicher, dass Sie alle Warnungen (S. 3) am Anfang dieser Montageanleitung gelesen und verstanden haben.

## Montage

- ⚠ 1. Achten Sie darauf, dass der PT ausgeschaltet und vom Netz getrennt ist.
2. Montieren Sie die Verlängerung an der Kugelgelenkhalterung des Telefonhalters und befestigen Sie dann den Telefonhalter und die Verlängerung an einem der Kugelgelenke auf der Montageplatte für Lenkstangenzubehör.
3. Richten Sie den Telefonhalter entsprechend Ihren Anforderungen aus und ziehen Sie dann die Verlängerung fest.

### HINWEIS

Überprüfen Sie in regelmäßigen Abständen die Festigkeit aller Befestigungen und Verlängerungen.

## Entfernen

1. Lockern Sie den Verlängerungsarm und nehmen Sie dann den Telefonhalter und die Verlängerung von der Montageplatte für Lenkstangenzubehör.

### HINWEIS

Siehe auch die Abschnitte **Gewichtsbegrenzungen** und **Maximal zulässiges Ladegewicht** (S. 3) vor Verwendung des Zubehörs.

- ⚠ Beim Fahren keine Kurznachrichten verfassen. Dies schränkt Ihre Fähigkeit ein, Ihre Umgebung während der Fahrt zu beobachten. Das kann zu einem erhöhten Verletzungsrisiko, zum Tod oder Sachschäden führen, die durch Stürze oder Kollisionen verursacht werden.

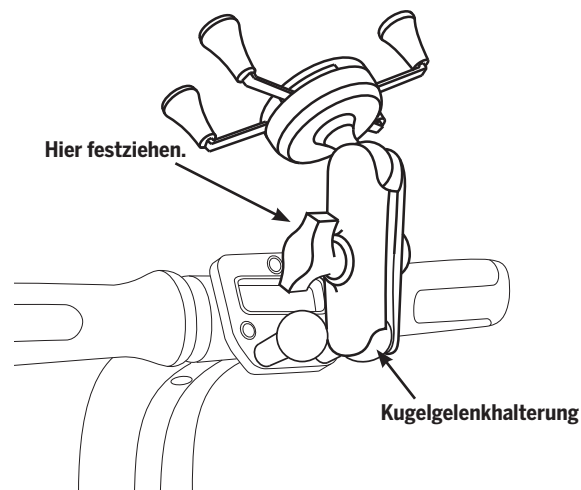


Abbildung 17. Montage des Smartphone-Halters

# Kippbare Montagevorrichtung für Tablet-Halter

24052-00001

Benötigtes Werkzeug	Teile
<ul style="list-style-type: none"><li>Keine</li></ul>	<ul style="list-style-type: none"><li>(1) RAM® X-grip Tablet-Halter</li><li>(1) 5,25-Zoll-Verlängerungsarm</li></ul>

## WICHTIG

Stellen Sie sicher, dass Sie alle Warnungen (S. 3) am Anfang dieser Montageanleitung gelesen und verstanden haben.

## Montage

- ⚠️ 1. Achten Sie darauf, dass der PT ausgeschaltet und vom Netz getrennt ist.
2. Montieren Sie die Verlängerung an der Kugelgelenkhalterung des Tablet-Halters und befestigen Sie dann den Tablet-Halter und die Verlängerung an einem der Kugelgelenke auf der Montageplatte für Lenkstangenzubehör.
3. Richten Sie den Tablet-Halter entsprechend Ihren Anforderungen aus und ziehen Sie dann die Verlängerung fest.

### HINWEIS

Überprüfen Sie in regelmäßigen Abständen die Festigkeit aller Befestigungen und Verlängerungen.

## Entfernen

1. Lockern Sie den Verlängerungsarm und nehmen Sie dann den Tablet-Halter und die Verlängerung von der Montageplatte für Lenkstangenzubehör.

### HINWEIS

Siehe auch die Abschnitte **Gewichtsbegrenzungen** und **Maximal zulässiges Ladegewicht** (S. 3) vor Verwendung des Zubehörs.

- ⚠️ 1. Tablet nicht während der Fahrt verwenden. Dies schränkt Ihre Fähigkeit ein, Ihre Umgebung während der Fahrt zu beobachten. Das kann zu einem erhöhten Verletzungsrisiko, zum Tod oder Sachschäden führen, die durch Stürze oder Kollisionen verursacht werden.

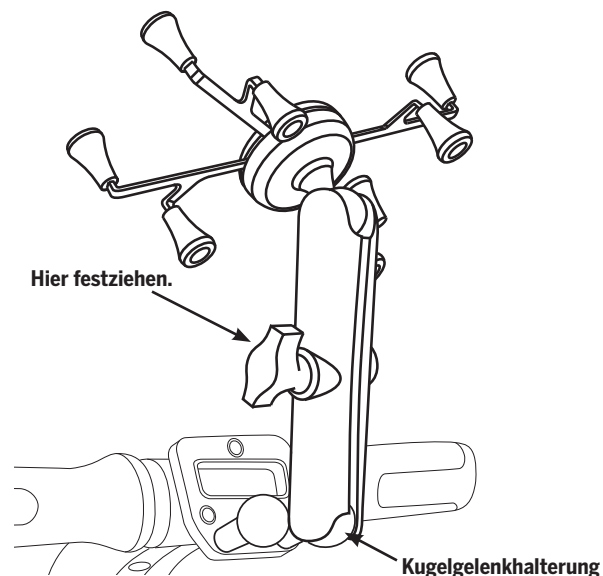


Abbildung 18. Montage des Tablet-Halters

# Clipboard-Gehäuse mit kippbarer Montagevorrichtung

24050-00001

## Benötigtes Werkzeug

- 4-mm-Innensechskantschlüssel
- Drehmomentschlüssel

## Teile

- (1) Clipboard
- (1) 5,25-Zoll-Verlängerungsarm
- (1) Grundplatte mit 1-Zoll-Kugelgelenk
- (3) 16-mm-Sechskantschraube
- (3) Sicherungsmutter

## WICHTIG

Stellen Sie sicher, dass Sie alle Warnungen (S. 3) am Anfang dieser Montageanleitung gelesen und verstanden haben.

## Montage

- ⚠ 1. Achten Sie darauf, dass der PT ausgeschaltet und vom Netz getrennt ist.
2. Montieren Sie mithilfe der drei 16-mm-Befestigungen und Sicherungsmuttern die Grundplatte auf der Rückseite des Clipboards wie in **Abbildung 19** gezeigt. Ziehen Sie die Befestigungen mit einem Anzugsmoment von **6,0 Nm (4,4 ft-lbf)** fest.
3. Montieren Sie die Verlängerung am Kugelgelenk der Grundplatte und befestigen Sie dann das Clipboard und die Verlängerung an einem der Kugelgelenke auf der Montageplatte für Lenkstangenzubehör.
4. Richten Sie das Clipboard entsprechend Ihren Anforderungen aus und ziehen Sie dann die Verlängerung fest.

## HINWEIS

Überprüfen Sie in regelmäßigen Abständen die Festigkeit aller Befestigungen und Verlängerungen.

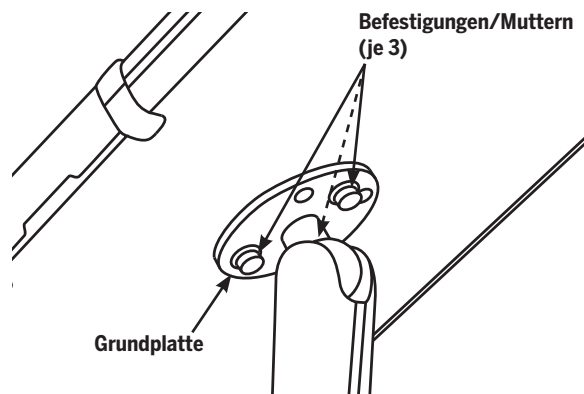
## Entfernen

1. Lockern Sie den Verlängerungsarm und nehmen Sie dann das Clipboard und die Verlängerung von der Montageplatte für Lenkstangenzubehör.

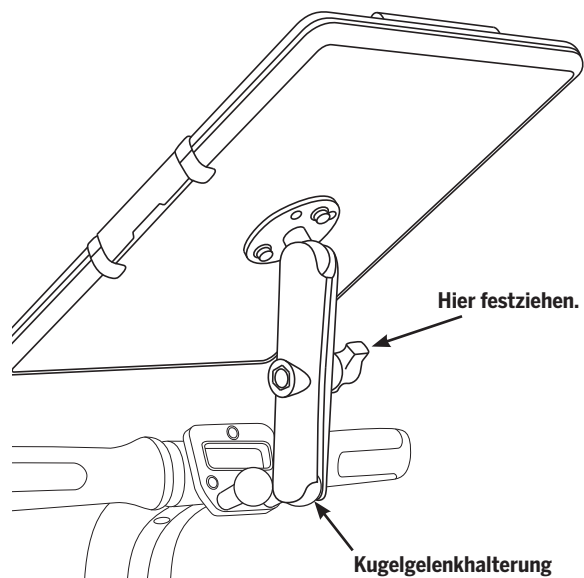
## HINWEIS

Siehe auch die Abschnitte **Gewichtsbegrenzungen** und **Maximal zulässiges Ladegewicht** (S. 3) vor Verwendung des Zubehörs.

- ⚠ Beim Fahren nicht vom Clipboard lesen. Dies schränkt Ihre Fähigkeit ein, Ihre Umgebung während der Fahrt zu beobachten. Das kann zu einem erhöhten Verletzungsrisiko, zum Tod oder Sachschäden führen, die durch Stürze oder Kollisionen verursacht werden.



**Abbildung 19. Montage der Grundplatte am Clipboard**



**Abbildung 20. Clipboard-Montage**

# Universal-Trinkflaschenhalterung

24051-00001

Benötigtes Werkzeug	Teile
<ul style="list-style-type: none"><li>• 4-mm-Innensechskantschlüssel</li><li>• Drehmomentschlüssel</li><li>• Elektrobohrer</li><li>• 6-8-mm-Bohrstück</li></ul>	<ul style="list-style-type: none"><li>(1) Trinkflaschenhalter</li><li>(2) Klettband</li><li>(2) 16-mm-Befestigungen</li><li>(2) Sicherungsmutter</li><li>(2) Dichtungsscheibe</li></ul>

## WICHTIG

Stellen Sie sicher, dass Sie alle Warnungen (S. 3) am Anfang dieser Montageanleitung gelesen und verstanden haben.

## Montage

- ⚠ 1. Achten Sie darauf, dass der PT ausgeschaltet und vom Netz getrennt und die Standard- oder Power-Pack-Gehäuse auf der LeanSteer-Lenkung montiert ist.
2. Markieren Sie mithilfe des Trinkflaschenhalters als Vorlage zwei Bohrstellen, an denen Sie den Halter montieren. Bohren Sie die Montagelöcher mit einem 6-8-mm-Bohrstück.

### HINWEIS

Stellen Sie sicher, dass Sie keine internen Komponenten am Power-Pack-Gehäuse anbohren.

3. Montieren Sie den Trinkflaschenhalter mithilfe der 16-mm-Befestigungen, zwei Dichtungsscheiben und zwei Sicherungsmuttern wie in **Abbildung 21** gezeigt am Gehäuse. Ziehen Sie die Befestigungen mit einem Anzugsmoment von **6,0 Nm (4,4 ft-lbf)** fest.
4. Sichern Sie die Wasserflasche mit zwei Klettbändern am Halter.

## Entfernen

- ⚠ 1. Achten Sie darauf, dass der PT ausgeschaltet und vom Netz getrennt ist.
2. Entfernen Sie die beiden 16-mm-Befestigungen, die den Trinkflaschenhalter mit dem Gehäuse verbinden.
3. Um die Wasserundurchlässigkeit zu bewahren, bringen Sie die beiden 16-mm-Befestigungen wieder mit den zwei Dichtungsscheiben und Sicherungsmuttern am Gehäuse an.

### HINWEIS

Siehe auch die Abschnitte **Gewichtsbegrenzungen** und **Maximal zulässiges Ladegewicht** (S. 3) vor Verwendung des Zubehörs.

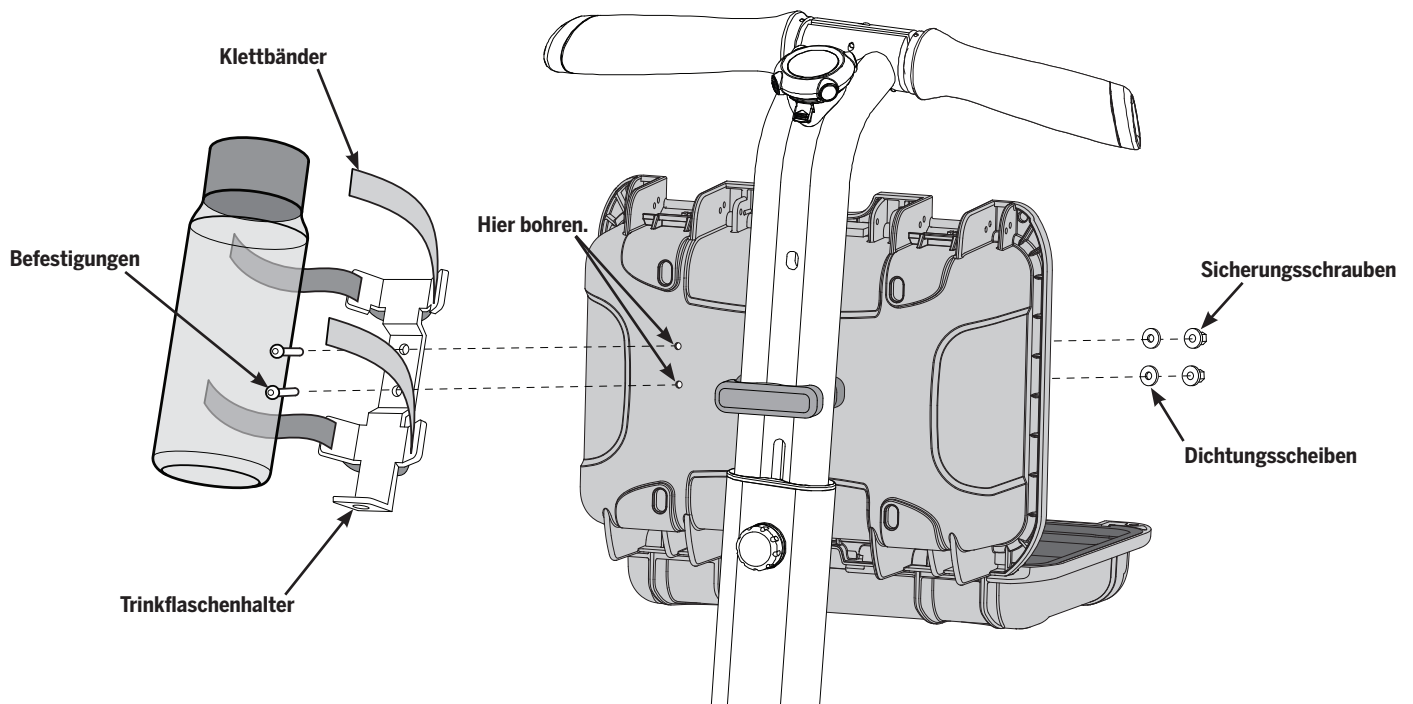


Abbildung 21. Montage der Universal-Trinkflaschenhalterung



**SIE HABEN WEITERE FRAGEN?**

Wenn Sie weitere Fragen haben oder ein Teil des Sets fehlen sollte, wenden Sie sich an einen autorisierten Segway Händler in Ihrer Region. Besuchen Sie [www.segway.com](http://www.segway.com), um einen Händler in Ihrer Nähe zu finden. Dieses Dokument ist auch auf [www.segway.com](http://www.segway.com) verfügbar.

**INGESCHRÄNKTE GEWÄHRLEISTUNG/GARANTIE**

Die in diesem Dokument aufgeführten Teile sind Zubehör, das durch die eingeschränkte Gewährleistung/Garantie von Segway Personal Transporter Limited abgedeckt ist (Exemplar liegt dieser Ausrüstung bei).

# Contenidos

Table of Contents • Table des matières • Sommario •  
Inhaltsverzeichnis • 目次 • 目录

English.....	2
Français.....	17
Italiano.....	32
Deutsch.....	47
Español.....	62
日本語.....	77
中文.....	92

Seguridad.....	63
Estructura de carga inferior del i2 SE.....	64
Estructura de carga lateral del x2 SE.....	65
Abrazaderas de carga y portacarga (modelo i2 SE).....	66
Portacarga (modelo x2 SE).....	67
Kit de la caja de carga impermeable y soporte de desmontaje rápido.....	68
Kit de la cesta de almacenaje descubierta y soporte de desmontaje rápido.....	69
Caja delantera estándar/caja delantera de alimentación.....	70
Base de montaje para accesorios del manillar.....	71
Montaje del soporte articulado para smartphone.....	72
Montaje del soporte articulado para tableta.....	73
Portapapeles con montaje articulado.....	74
Soporte universal para botella de agua.....	75

# Seguridad

## ADVERTENCIA

- Los conductores deben leer todas las instrucciones incluidas en este manual del usuario. Si no sigue estas advertencias, podrían producirse lesiones graves e incluso la muerte, o daños en la propiedad.
- Estas instrucciones de instalación son un complemento al Manual del usuario del transportador personal Segway (PT) y del Vídeo de seguridad incluido con su Segway PT. Asegúrese de leer y comprender el Manual del usuario y de ver el Vídeo de seguridad antes de poner en marcha su transportador.
- Apague siempre el transportador y desconecte el cable de corriente alterna antes de realizar labores de mantenimiento o instalar piezas o accesorios.
- El transporte de carga en las cestas o en las cajas alterará el comportamiento del transportador Segway PT; a mayor peso, mayores alteraciones. Debe familiarizarse con estas alteraciones mientras conduce a baja velocidad.
- El kit de la caja de carga impermeable y el kit de la cesta de almacenaje descubierta reducen el campo de movimiento del conductor, aumentan la anchura total del transportador y minimizan la capacidad del conductor para inclinarse en los giros y/o al subir una cuesta a fin de mantener la estabilidad lateral. Esto puede incrementar el riesgo de colisión y/o impedir al conductor bajar por los laterales en caso de una caída, choque, pérdida de tracción, apagado de seguridad u otra emergencia. El aumento de la anchura total del transportador al incorporar estos accesorios complicará el acceso por entradas y puede incrementar el riesgo de caídas, colisiones o pérdida de tracción provocadas por los golpes contra otros objetos. Por estas razones, conducir un transportador con estos accesorios puede incrementar el riesgo de lesiones.
- A la hora de conducir un transportador con accesorios instalados, los conductores deben prestar especial atención para evitar superficies deslizantes, obstáculos, pendientes pronunciadas y giros rápidos.
- No utilice el caballete de Segway con estos accesorios instalados. El caballete de Segway se ha diseñado para soportar un transportador descargado, no con accesorios instalados.
- No se siente ni se ponga de pie sobre las estructuras de carga, las plataformas, las cajas o las cestas. No transporte niños ni mascotas en las cestas abiertas, las cajas de carga o las estructuras de carga.
- Nunca se baje de un transportador en modo de equilibrio, ya que puede recorrer cierta distancia por sí solo, con el riesgo de lesiones y daños que eso conlleva.
- Utilice solo piezas, fijaciones y accesorios aprobados por Segway y apriete todos los componentes al par indicado.
- Asegúrese de comprobar periódicamente que todas las fijaciones están apretadas.

## ADVERTENCIA

Debe realizar comprobaciones para asegurarse de que el peso combinado del conductor, todos los accesorios y la carga transportada por el propio conductor o el transportador no superan los 118 kg (260 lb). Si se superan los límites de peso siguientes, especialmente al conducir por pendientes o superficies irregulares, aumenta el riesgo de caídas y lesiones.

### Límites de peso:

- Carga total máxima (peso del conductor más toda la carga): **118 kg (260 lb)**
- Carga total máxima en el eje principal LeanSteer (con la caja delantera, toda la carga y el soporte para teléfono o tableta o el portapapeles): **5,4 kg (12 lb)**
- Carga total máxima en cada estructura de carga: **6,8 kg (15 lb)**

### Peso de carga máximo permitido (soportado por cada accesorio):

- Caja delantera estándar 3,4 kg (7,4 lb)
- Caja delantera de alimentación: 2,5 kg (5,4 lb)
- Kit de la caja de carga impermeable: 3,2 kg (7,1 lb)
- Kit de la cesta de almacenaje descubierta: 4,6 kg (10,1 lb)
- Montaje del soporte para smartphone: 0,23 kg (0,5 lb)
- Montaje del soporte para tableta: 0,45 kg (1 lb)
- Montaje/portapapeles: 0,45 kg (1 lb)
- Soporte universal para botella de agua: 1,23 kg (2,7 lb)

# Estructura de carga inferior del i2 SE

20412-00001

## Herramientas necesarias

- Llave Allen de 4 mm
- Llave de apriete prefijado

## Piezas

- (2) Estructura de carga inferior para el i2 SE
- (6) Fijación hexagonal de 28 mm
- (6) Arandela plana

## IMPORTANTE

Asegúrese de leer y comprender todas las advertencias (pág. 3) que se incluyen al comienzo de este Manual de instalación.

## Instalación

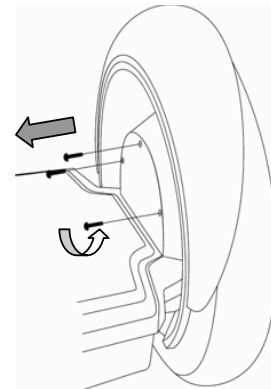
- ⚠ 1. Asegúrese de que el transportador no recibe alimentación y de que está desconectado.
2. Mediante una llave Allen de 4 mm, extraiga las tres fijaciones que sujetan la tapa de la caja de cambios y colóquelas en un lugar seguro. Consulte la **Ilustración 1**.
3. Coloque la estructura de carga inferior del modelo i2 SE para que quede alineada con los orificios de la tapa de la caja de cambios.
4. Enrosque tres de las fijaciones de 28 mm incluidas, a través de tres de las arandelas planas suministradas, la estructura de carga inferior del modelo i2 SE y la tapa de la caja de cambios, en la caja de cambios. Apriete las fijaciones a **6,0 N-m (4,4 pies-lbf)**. Consulte la **Ilustración 2**.

## Desmontaje

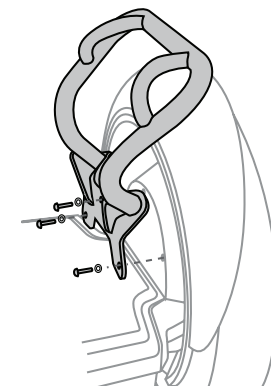
- ⚠ 1. Asegúrese de que el transportador no recibe alimentación y de que está desconectado.
2. Extraiga la estructura de carga inferior del modelo i2 SE siguiendo el procedimiento anterior en orden inverso.

## NOTA

Consulte las secciones **Límites de peso** y **Peso de carga máximo permitido** (pág. 3) antes de utilizar este accesorio.



**Ilustración 1: Desmontaje de la tapa de la caja de cambios**



**Ilustración 2: Instalación de la estructura de carga inferior del i2 SE**

# Estructura de carga lateral del x2 SE

24018-00001

## Herramientas necesarias

- Llave Allen de 4 mm
- Llave de apriete prefijado

## Piezas

- (1) Estructura de carga lateral del x2 SE

## IMPORTANTE

Asegúrese de leer y comprender todas las advertencias (pág. 3) que se incluyen al comienzo de este Manual de instalación.

## Extracción del conjunto del protector y la estructura del x2 SE

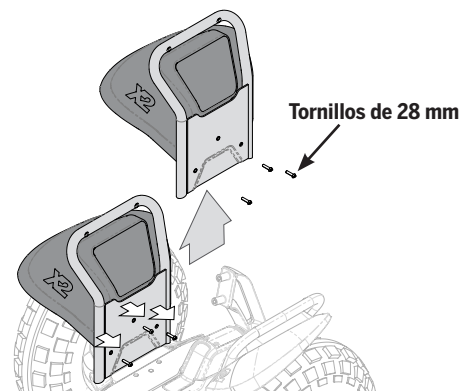
1. Asegúrese de que el transportador Segway PT está desconectado y de que no recibe alimentación.
2. Extraiga las tres fijaciones de 28 mm mediante una llave Allen de 4 mm y colóquelas en un lugar seguro (consulte la **Ilustración 3**).
3. Levante el protector y el conjunto de la estructura y limpie toda la suciedad de las superficies de montaje.
4. Para retirar el protector de su estructura, retire las cuatro fijaciones de 18 mm con una llave Allen de 4 mm (consulte la **ilustración 4**).

## Instalación de la estructura de carga lateral del x2 SE:

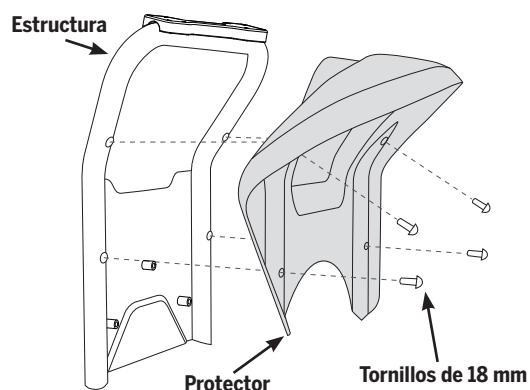
1. Asegúrese de que el transportador Segway PT está desconectado y de que no recibe alimentación.
2. Enrosque las cuatro fijaciones de 18 mm, a través del protector, en la estructura de carga lateral. Mediante una llave Allen de 4 mm, apriete las fijaciones hasta que encajen perfectamente. Continúe apretando entre media vuelta y una vuelta completa.
3. Enrosque las tres fijaciones de 28 mm a través del protector y el conjunto de la estructura hacia la tapa de la caja de cambios del transportador.
4. Utilizando una llave Allen de 4 mm, apriete a un par de **6,0 N-m (4,4 pies-lbf)**.

## NOTA

Consulte las secciones **Límites de peso** y **Peso de carga máximo permitido** (pág. 3) antes de utilizar este accesorio.



**Ilustración 3: Extracción de la estructura del protector del x2 SE**



**Ilustración 4: Instalación del protector en la estructura de carga lateral del x2 SE**

# Abrazaderas de carga y portacarga (modelo i2 SE)

24078-00001 (abrazaderas de carga), 24042-00001 (portacarga)

Herramientas necesarias	Piezas	
<ul style="list-style-type: none"><li>• Llave Allen de 4 mm</li><li>• Llave de apriete prefijado</li></ul>	(4) Abrazadera de carga para el i2 SE	(2) Perilla de desmontaje rápido
	(16) Fijación hexagonal de 35 mm	(4) Fijación hexagonal de 16 mm
	(2) Portacarga	(4) Tuerca de nyloc
	(12) Ojal de goma	

## IMPORTANTE

Asegúrese de leer y comprender todas las advertencias (pág. 3) que se incluyen al comienzo de este Manual de instalación.

## Instalación

1. Asegúrese de que el transportador no recibe alimentación y de que está desconectado.
2. Instale seis ojales de goma en cada portacarga, tal y como se muestra en la **Ilustración 5**.
3. Instale una perilla de desmontaje rápido en cada portacarga utilizando dos fijaciones de 16 mm y dos tuercas de nyloc, tal y como se muestra en la **Ilustración 6**. Apriete las fijaciones a **6,0 N-m (4,4 pies-lbf)**.
4. Coloque las abrazaderas de carga en la estructura de carga inferior del modelo i2 SE, tal y como se muestra. Las abrazaderas roscadas deben colocarse en la parte inferior de la estructura de carga inferior del modelo i2 SE. Consulte la **Ilustración 7**.
5. Coloque el portacarga para que quede alineado con las abrazaderas de carga, tal y como se muestra en la **Ilustración 7**.
6. Enrosque ocho de las fijaciones de 35 mm incluidas a través del portacarga en las abrazaderas de carga. Apriete las fijaciones a **6,0 N-m (4,4 pies-lbf)**.

## Desmontaje

1. Asegúrese de que el transportador no recibe alimentación y de que está desconectado.
2. Extraiga el portacarga y las abrazaderas de carga siguiendo el procedimiento anterior en orden inverso.

## NOTA

Consulte las secciones **Límites de peso** y **Peso de carga máximo permitido** (pág. 3) antes de utilizar este accesorio.

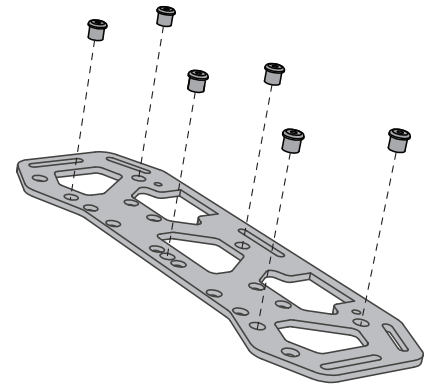


Ilustración 5: Instalación de los ojales de goma

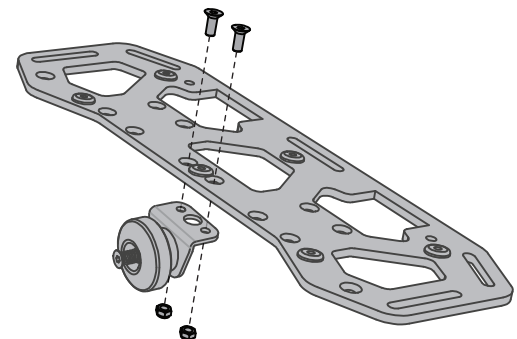


Ilustración 6: Instalación de la perilla de desmontaje rápido

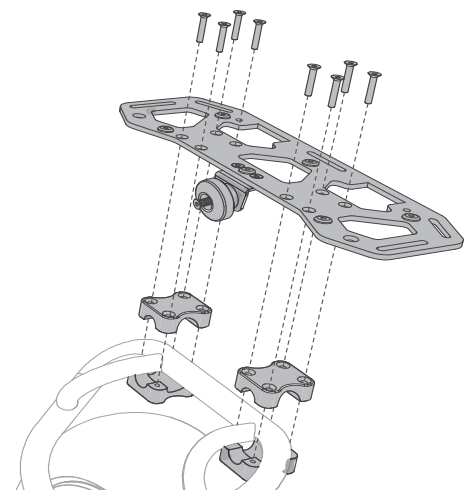


Ilustración 7: Instalación de las abrazaderas de carga y el portacarga

# Portacarga (modelo x2 SE)

24042-00001 (portacarga)

Herramientas necesarias	Piezas	
<ul style="list-style-type: none"><li>• Llave Allen de 4 mm</li><li>• Llave de apriete prefijado</li></ul>	(2) Portacarga	(4) Fijación hexagonal de 16 mm
	(16) Fijación hexagonal de 35 mm	(4) Tuerca de nyloc
	(12) Ojal de goma	
	(2) Perilla de desmontaje rápido	

## IMPORTANTE

Asegúrese de leer y comprender todas las advertencias (pág. 3) que se incluyen al comienzo de este Manual de instalación.

## Instalación

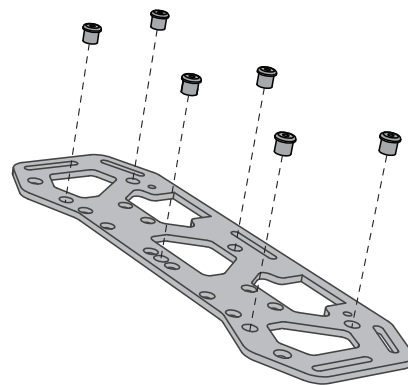
1. Asegúrese de que el transportador no recibe alimentación y de que está desconectado.
2. Instale seis ojales de goma en cada portacarga, tal y como se muestra en la **Ilustración 8**.
3. Instale una perilla de desmontaje rápido en cada portacarga utilizando dos fijaciones de 16 mm y dos tuercas de nyloc, tal y como se muestra en la **Ilustración 9**. Apriete las fijaciones a **6,0 N-m (4,4 pies-lbf)**.
4. Coloque el portacarga para que quede alineado con la estructura de carga lateral, tal y como se muestra en la **Ilustración 10**.
5. Enrosque ocho de las fijaciones de 35 mm incluidas a través del portacarga en la estructura de carga lateral. Apriete las fijaciones a **6,0 N-m (4,4 pies-lbf)**.

## Desmontaje

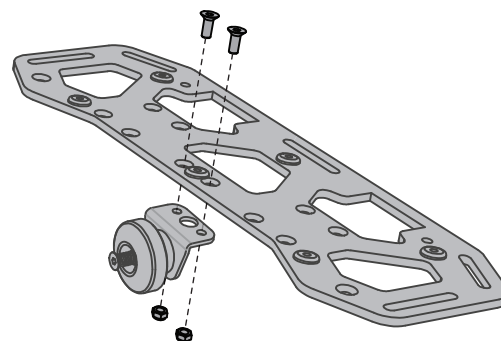
1. Asegúrese de que el transportador no recibe alimentación y de que está desconectado.
2. Extraiga el portacarga siguiendo el procedimiento anterior en orden inverso.

## NOTA

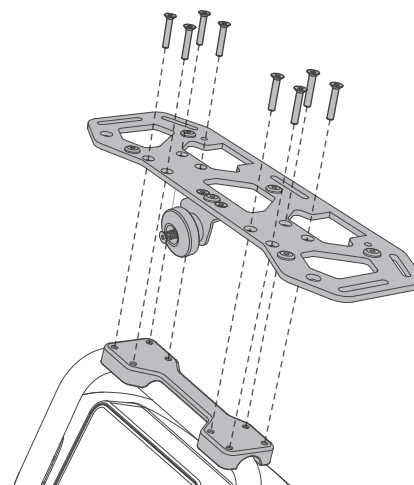
Consulte las secciones **Límites de peso** y **Peso de carga máximo permitido** (pág. 3) antes de utilizar este accesorio.



**Ilustración 8: Instalación de los ojales de goma**



**Ilustración 9: Instalación de la perilla de desmontaje rápido**



**Ilustración 10: Instalación del portacarga**

# Kit de la caja de carga impermeable y soporte de desmontaje rápido

24044-00001 (caja de carga impermeable), 24043-00001 (soporte de desmontaje rápido)

Herramientas necesarias	Piezas	
<ul style="list-style-type: none"><li>• Llave Allen de 4 mm</li><li>• Llave de apriete prefijado</li></ul>	(2) Caja impermeable	(8) Tuerca de nyloc
	(2) Soporte de desmontaje rápido	(8) Cubiertas de plástico para tuercas
	(4) Separador	
	(8) Fijación hexagonal de 20 mm	

## IMPORTANTE

Asegúrese de leer y comprender todas las advertencias (pág. 3) que se incluyen al comienzo de este Manual de instalación.

## Instalación

1. Asegúrese de que el transportador no recibe alimentación y de que está desconectado.
2. Instale un soporte de desmontaje rápido en cada caja impermeable utilizando cuatro fijaciones de 20 mm, dos separadores (entre el soporte y la caja) y cuatro tuercas de nyloc, tal y como se muestra en la **Ilustración 11**. Apriete las fijaciones a **11,0 N-m (8,1 pies-lbf)**.
3. Instale las cuatro cubiertas de plástico para tuercas sobre las cuatro tuercas de nyloc.
4. Fije la caja impermeable al portacarga utilizando el soporte de desmontaje rápido, tal y como se muestra en la **Ilustración 12**.

### NOTA

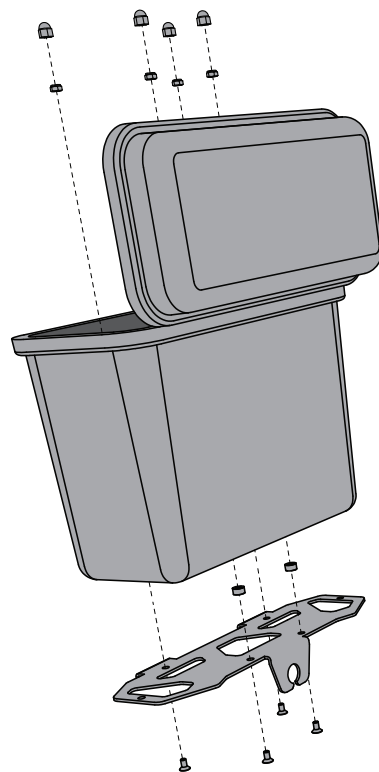
Asegúrese de que el soporte de desmontaje rápido encaja en la perilla de desmontaje rápido con firmeza y seguridad mediante un “clic” perceptible.

## Desmontaje

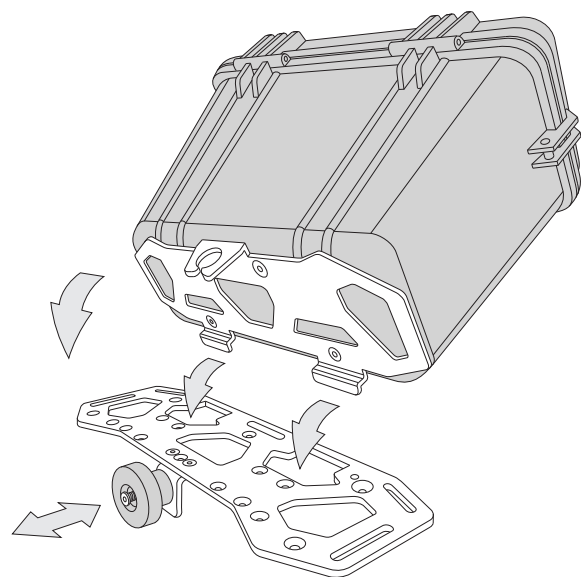
1. Asegúrese de que el transportador no recibe alimentación y de que está desconectado.
2. Extraiga la caja impermeable del portacarga tirando de la perilla de desmontaje rápido mientras inclina la caja alejándola del portacarga.

### NOTA

Consulte las secciones **Límites de peso** y **Peso de carga máximo permitido** (pág. 3) antes de utilizar este accesorio.



**Ilustración 11: Instalación del soporte de desmontaje rápido en la caja**



**Ilustración 12: Fijación de la caja impermeable al portacarga**



# Kit de la cesta de almacenaje descubierta y soporte de desmontaje rápido

24045-00001 (kit de la cesta de almacenaje descubierta), 24043-00001 (soporte de desmontaje rápido)

Herramientas necesarias	Piezas	
<ul style="list-style-type: none"><li>• Llave Allen de 4 mm</li><li>• Llave de apriete prefijado</li></ul>	(2) Cesta de almacenaje descubierta	(8) Tuerca de nyloc
	(2) Soporte de desmontaje rápido	(8) Cubiertas de plástico para tuercas
	(8) Fijación hexagonal de 12 mm	

## IMPORTANTE

Asegúrese de leer y comprender todas las advertencias (pág. 3) que se incluyen al comienzo de este Manual de instalación.

## Instalación

1. Asegúrese de que el transportador no recibe alimentación y de que está desconectado.
2. Instale un soporte de desmontaje rápido para cada cesta de almacenaje descubierta utilizando cuatro fijaciones de 12 mm y cuatro tuercas de nyloc, tal y como se muestra en la **Ilustración 13**. Apriete las fijaciones a **6,0 N-m (4,4 pies-lbf)**.
3. Instale las cuatro cubiertas de plástico para tuercas sobre las cuatro tuercas de nyloc.
4. Fije la cesta de almacenaje descubierta al portacarga utilizando el soporte de desmontaje rápido, tal y como se muestra en la **Ilustración 14**.

### NOTA

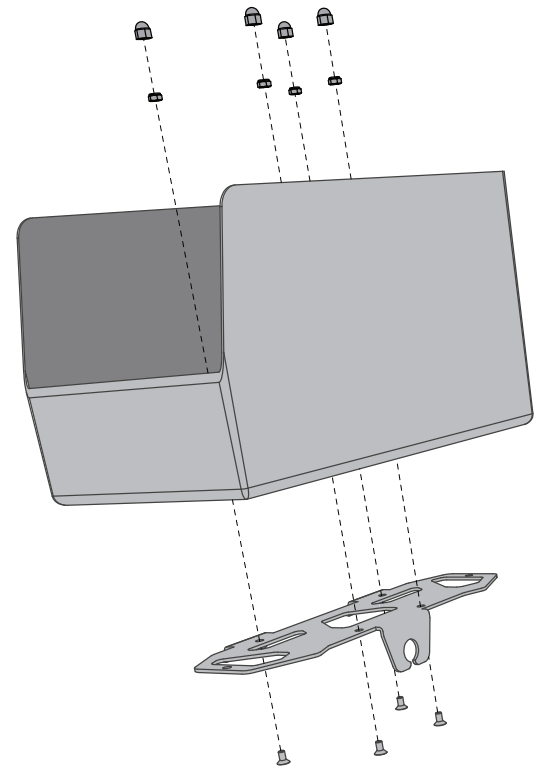
Asegúrese de que el soporte de desmontaje rápido encaja en la perilla de desmontaje rápido con firmeza y seguridad mediante un “clic” perceptible.

## Desmontaje

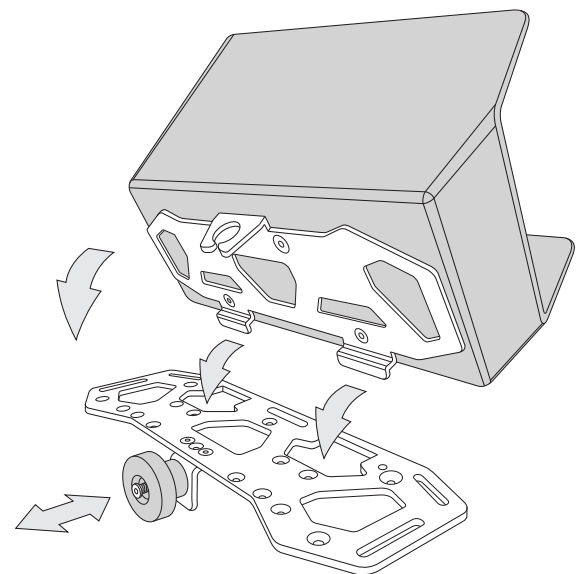
1. Asegúrese de que el transportador no recibe alimentación y de que está desconectado.
2. Extraiga la cesta de almacenaje descubierta del portacarga tirando de la perilla de desmontaje rápido mientras inclina la cesta alejándola del portacarga.

### NOTA

Consulte las secciones **Límites de peso** y **Peso de carga máximo permitido** (pág. 3) antes de utilizar este accesorio.



**Ilustración 13: Instalación del soporte de desmontaje rápido en la cesta**



**Ilustración 14: Fijación de la cesta descubierta al portacarga**

# Caja delantera estándar/caja delantera de alimentación

24046-00001 (caja delantera estándar), 24047-00001 (caja delantera de alimentación)

Herramientas necesarias	Piezas								
<ul style="list-style-type: none"><li>• Llave Allen de 4 mm</li><li>• Llave de apriete prefijado</li></ul>	<table><tbody><tr><td>(1) Caja delantera</td><td>(1) Plataforma estabilizadora</td></tr><tr><td>(2) Soporte del eje principal LeanSteer</td><td></td></tr><tr><td>(4) Junta tórica</td><td></td></tr><tr><td>(2) Fijación hexagonal de 25 mm</td><td></td></tr></tbody></table>	(1) Caja delantera	(1) Plataforma estabilizadora	(2) Soporte del eje principal LeanSteer		(4) Junta tórica		(2) Fijación hexagonal de 25 mm	
(1) Caja delantera	(1) Plataforma estabilizadora								
(2) Soporte del eje principal LeanSteer									
(4) Junta tórica									
(2) Fijación hexagonal de 25 mm									

## IMPORTANTE

Asegúrese de leer y comprender todas las advertencias (pág. 3) que se incluyen al comienzo de este Manual de instalación.

## Instalación

- ⚠ 1. Asegúrese de que el transportador no recibe alimentación y de que está desconectado.
2. Instale la caja delantera en el eje principal LeanSteer utilizando dos fijaciones de 25 mm, cuatro juntas tóricas (dos en cada lado de la plataforma estabilizadora) y dos soportes del eje principal LeanSteer, tal y como se muestra en la **Ilustración 15**. Apriete las fijaciones a **11,0 N-m (8,1 pies-lbf)**.

## NOTA

El soporte del eje principal LeanSteer más próximo al conductor cuenta con bordes biselados (redondeados) y orificios roscados. Solo para la caja delantera de alimentación: Asegúrese de instalar la caja de tal forma que pueda llegar a los interruptores de las luces y la bocina sin quitar las manos del manillar.

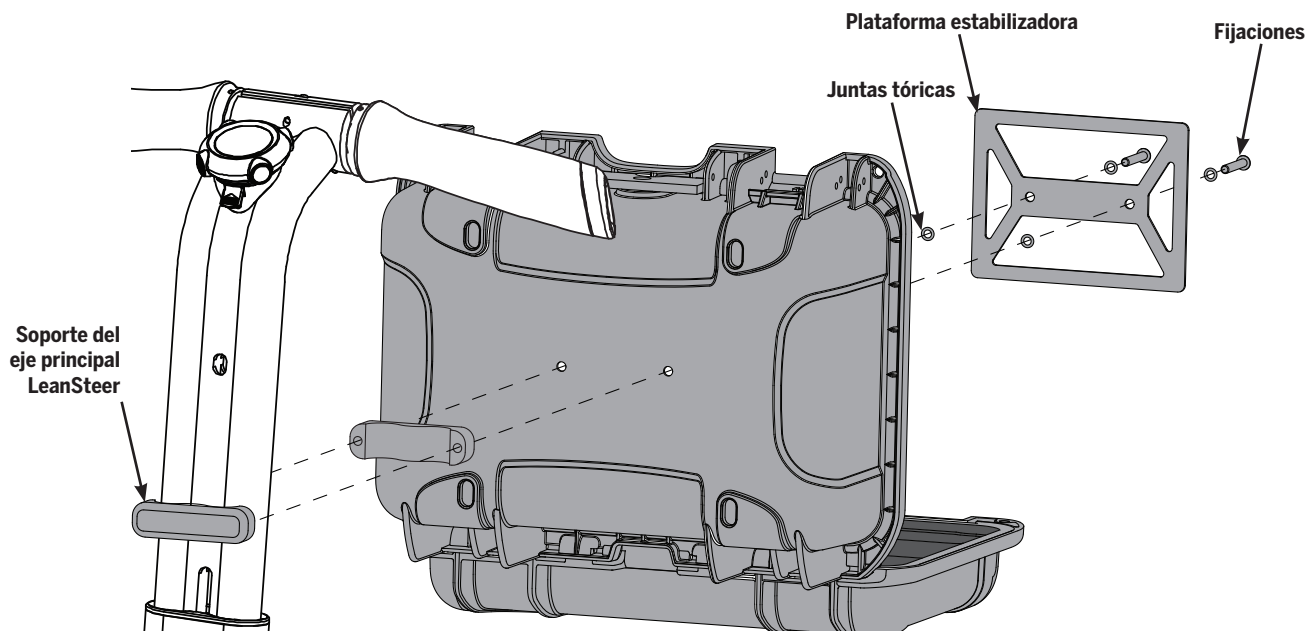
Asegúrese de comprobar periódicamente que todas las fijaciones están apretadas.

## Desmontaje

- ⚠ 1. Asegúrese de que el transportador no recibe alimentación y de que está desconectado.
2. Extraiga la caja delantera del eje principal LeanSteer siguiendo el procedimiento anterior en orden inverso.

## NOTA

Consulte las secciones **Límites de peso** y **Peso de carga máximo permitido** (pág. 3) antes de utilizar este accesorio.



**Ilustración 15: Instalación de la caja delantera en el eje principal LeanSteer**

# Base de montaje para accesorios del manillar

24048-00001

Herramientas necesarias	Piezas
<ul style="list-style-type: none"><li>• Llave Allen de 4 mm</li><li>• Llave de apriete prefijado</li></ul>	(1) Base de montaje (3) Fijación hexagonal de 35 mm (3) Separador
	(2) Bola de montaje con fijación

## IMPORTANTE

Asegúrese de leer y comprender todas las advertencias (pág. 3) que se incluyen al comienzo de este Manual de instalación.

## Instalación

- ⚠ 1. Asegúrese de que el transportador no recibe alimentación y de que está desconectado.
2. Extraiga las tres fijaciones estándar del manillar.
3. Instale las dos bolas de montaje y las fijaciones (no se muestran) en la base de montaje. Apriete las fijaciones a **6,0 N-m (4,4 pies-lbf)**.
4. Instale la base de montaje en el manillar utilizando tres fijaciones de 35 mm y tres separadores, tal y como se muestra en la **Ilustración 16**. Apriete las fijaciones a **11,0 N-m (8,1 pies-lbf)**.

### NOTA

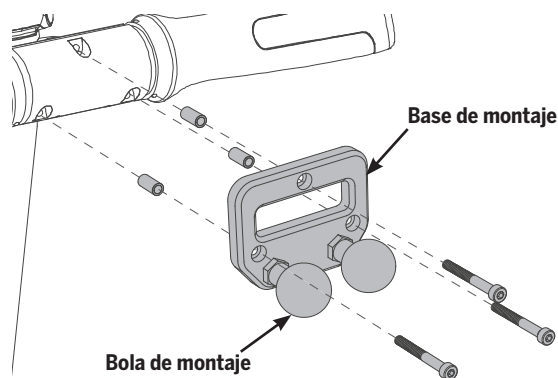
Asegúrese de comprobar periódicamente que todas las fijaciones están apretadas.

## Desmontaje

- ⚠ 1. Asegúrese de que el transportador no recibe alimentación y de que está desconectado.
2. Extraiga la base de montaje del manillar siguiendo el procedimiento anterior en orden inverso.

### NOTA

Consulte las secciones **Límites de peso** y **Peso de carga máximo permitido** (pág. 3) antes de utilizar este accesorio.



**Ilustración 16: Instalación de la base de montaje para accesorios del manillar**

# Montaje del soporte articulado para smartphone

24049-00001

## Herramientas necesarias

- Ninguna

## Piezas

- (1) Soporte para teléfono RAM® X-Grip
- (1) Brazo extensible de 13,33 cm (3 pulg.)

## IMPORTANTE

Asegúrese de leer y comprender todas las advertencias (pág. 3) que se incluyen al comienzo de este Manual de instalación.

## Instalación

- ⚠ 1. Asegúrese de que el transportador no recibe alimentación y de que está desconectado.
2. Instale el brazo extensible en la bola de montaje del soporte para teléfono y, a continuación, una dicho soporte y el brazo extensible a una de las bolas de la base de montaje para accesorios del manillar.
3. Oriente el soporte para teléfono según sus preferencias y, a continuación, apriete el brazo extensible de forma segura.

### NOTA

Asegúrese de comprobar periódicamente que todas las fijaciones y extensiones están apretadas.

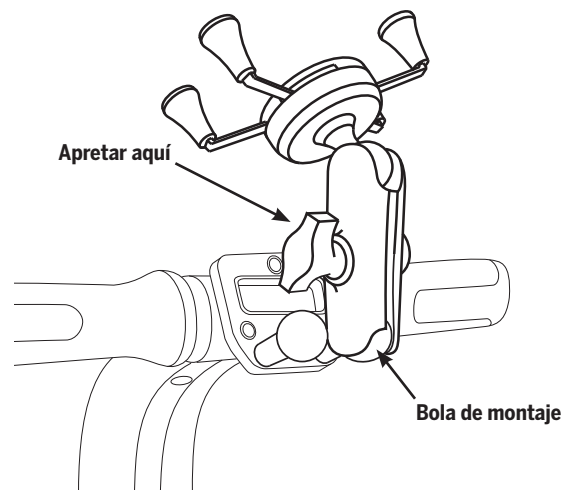
## Desmontaje

1. Suelte el brazo extensible y, a continuación, extraiga el soporte para teléfono y el brazo extensible de la base de montaje para accesorios del manillar.

### NOTA

Consulte las secciones **Límites de peso** y **Peso de carga máximo permitido** (pág. 3) antes de utilizar este accesorio.

- ⚠ No escriba mensajes mientras conduce el transportador, ya que esto puede afectar a su capacidad para controlar el entorno mientras conduce, lo que puede resultar en un mayor riesgo de lesiones graves, fallecimiento o daños a la propiedad debido a caídas o colisiones.



**Ilustración 17: Instalación del soporte para smartphone**

# Montaje del soporte articulado para tableta

24052-00001

## Herramientas necesarias

- Ninguna

## Piezas

- (1) Soporte para tableta RAM® X-Grip
- (1) Brazo extensible de 13,33 cm (5,25 pulg.)

## IMPORTANTE

Asegúrese de leer y comprender todas las advertencias (pág. 3) que se incluyen al comienzo de este Manual de instalación.

## Instalación

- ⚠ 1. Asegúrese de que el transportador no recibe alimentación y de que está desconectado.
2. Instale el brazo extensible en la bola de montaje del soporte para tableta y, a continuación, una dicho soporte y el brazo extensible a una de las bolas de la base de montaje para accesorios del manillar.
3. Oriente el soporte para tableta según sus preferencias y, a continuación, apriete el brazo extensible de forma segura.

### NOTA

Asegúrese de comprobar periódicamente que todas las fijaciones y extensiones están apretadas.

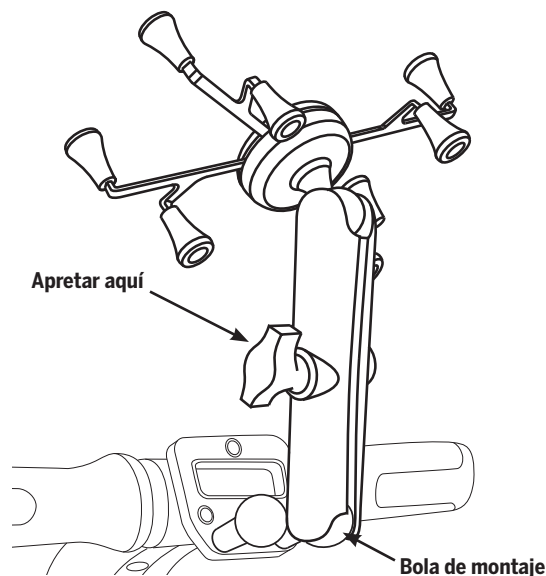
## Desmontaje

1. Suelte el brazo extensible y, a continuación, extraiga el soporte para tableta y el brazo extensible de la base de montaje para accesorios del manillar.

### NOTA

Consulte las secciones **Límites de peso** y **Peso de carga máximo permitido** (pág. 3) antes de utilizar este accesorio.

- ⚠ No utilice la tableta mientras conduce el transportador, ya que esto puede afectar a su capacidad para controlar el entorno mientras conduce, lo que puede resultar en un mayor riesgo de lesiones graves, fallecimiento o daños a la propiedad debido a caídas o colisiones.



**Ilustración 18: Instalación del soporte para tableta**

# Portapapeles con montaje articulado

24050-00001

Herramientas necesarias	Piezas
<ul style="list-style-type: none"><li>• Llave Allen de 4 mm</li><li>• Llave de apriete prefijado</li></ul>	<ul style="list-style-type: none"><li>(1) Portapapeles</li><li>(1) Brazo extensible de 13,33 cm (5,25 pulg.)</li><li>(1) Plataforma base con una bola de 2,54 cm (1 pulg.)</li><li>(3) Fijación hexagonal de 16 mm</li><li>(3) Tuerca de nyloc</li></ul>

## IMPORTANTE

Asegúrese de leer y comprender todas las advertencias (pág. 3) que se incluyen al comienzo de este Manual de instalación.

## Instalación

- ⚠ 1. Asegúrese de que el transportador no recibe alimentación y de que está desconectado.
2. Instale la plataforma base en la parte posterior del portapapeles, tal y como se muestra en la **Ilustración 19**, por medio de tres fijaciones de 16 mm y tres tuercas de nyloc. Apriete las fijaciones a **6,0 N·m (4,4 pies-lbf)**.
3. Instale el brazo extensible en la bola de montaje de la plataforma base y, a continuación, una el portapapeles y el brazo extensible a una de las bolas de la base de montaje para accesorios del manillar.
4. Oriente el portapapeles según sus preferencias y, a continuación, apriete el brazo extensible de forma segura.

## NOTA

Asegúrese de comprobar periódicamente que todas las fijaciones y extensiones están apretadas.

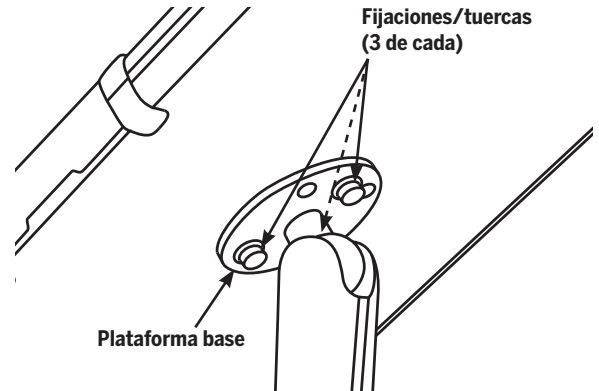
## Desmontaje

1. Suelte el brazo extensible y, a continuación, extraiga el portapapeles y el brazo extensible de la base de montaje para accesorios del manillar.

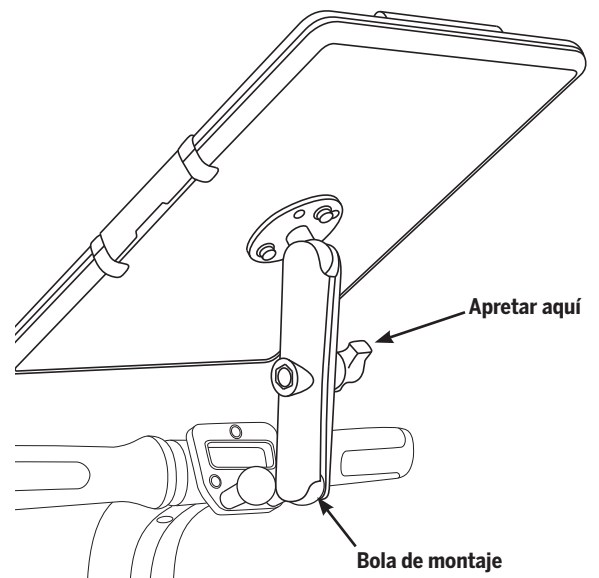
## NOTA

Consulte las secciones **Límites de peso** y **Peso de carga máximo permitido** (pág. 3) antes de utilizar este accesorio.

- ⚠ No lea los documentos del portapapeles mientras conduce el transportador, ya que esto puede afectar a su capacidad para controlar el entorno mientras conduce, lo que puede resultar en un mayor riesgo de lesiones graves, fallecimiento o daños a la propiedad debido a caídas o colisiones.



**Ilustración 19: Instalación de la plataforma base al portapapeles**



**Ilustración 20: Instalación del portapapeles**

# Soporte universal para botella de agua

24051-00001

Herramientas necesarias	Piezas
<ul style="list-style-type: none"><li>• Llave Allen de 4 mm</li><li>• Llave de apriete prefijado</li><li>• Taladro eléctrico</li><li>• Broca de 6-8 mm</li></ul>	<ul style="list-style-type: none"><li>(1) Soporte para botella de agua</li><li>(2) Cinta de velcro</li><li>(2) Fijación de 16 mm</li><li>(2) Tuerca de nyloc</li><li>(2) Arandela de sellado</li></ul>

## IMPORTANTE

Asegúrese de leer y comprender todas las advertencias (pág. 3) que se incluyen al comienzo de este Manual de instalación.

## Instalación

- ⚠ 1. Asegúrese de que el transportador no recibe alimentación y está desconectado, y de que la caja estándar o la caja de alimentación se encuentran instaladas en el eje principal LeanSteer.
2. Utilice el soporte para la botella de agua como plantilla: marque dos puntos para los orificios donde desee instalar el soporte. Utilizando una broca de 6-8 mm, perforar los orificios de montaje.

### NOTA

Asegúrese de no perforar los componentes internos de la caja de alimentación.

3. Instale el soporte para la botella de agua en la caja utilizando dos fijaciones de 16 mm, dos arandelas de sellado y dos tuercas de nyloc, tal y como se muestra en la **Ilustración 21**. Apriete las fijaciones a **6,0 N-m (4,4 pies-lbf)**.
4. Fije la botella de agua al soporte por medio de las dos cintas de velcro.

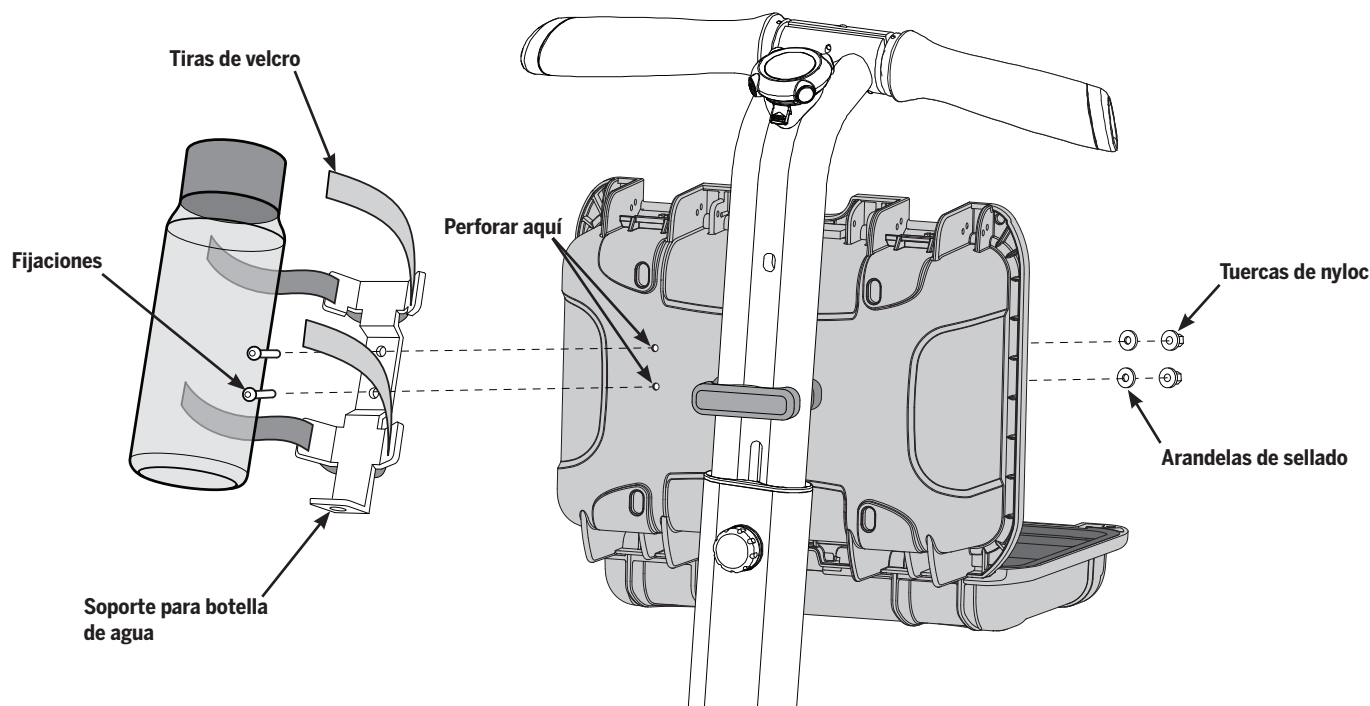
NOTA: Asegúrese de comprobar periódicamente que todas las fijaciones están apretadas.

## Desmontaje

- ⚠ 1. Asegúrese de que el transportador no recibe alimentación y de que está desconectado.
2. Extraiga las dos fijaciones de 16 mm que sujetan el soporte para la botella de agua a la caja.
3. Para conservar una estanqueidad total, vuelva a instalar las dos fijaciones de 16 mm en la caja con las dos arandelas de sellado y las tuercas de nyloc.

### NOTA

Consulte las secciones **Límites de peso** y **Peso de carga máximo permitido** (pág. 3) antes de utilizar este accesorio.



**Ilustración 21: Instalación del soporte universal para botella de agua**

**¿PREGUNTAS?**

Si le falta alguna pieza o tiene cualquier consulta, póngase en contacto con su concesionario autorizado de Segway local. Para localizar el concesionario más cercano, visite [www.segway.com](http://www.segway.com). Este documento también se encuentra disponible en [www.segway.com](http://www.segway.com).

**GARANTÍA/GARANTÍA LIMITADA**

La piezas a las que hace referencia este documento son "Accesorios" cubiertos por la Garantía/Garantía limitada del transportador personal Segway (cuya copia se facilita junto a este kit).



# 目次

Table of Contents • Table des matières • Sommario •  
Inhaltsverzeichnis • Contenidos • 目录

English.....	2
Français.....	17
Italiano.....	32
Deutsch.....	47
Español.....	62
日本語.....	77
中文.....	92

安全上の注意事項.....	78
i2 SE の下側の荷物フレーム.....	79
x2 SE サイド荷物フレーム.....	80
荷物クランプおよび荷物ラック (i2 SE).....	81
荷物ラック (x2 SE).....	82
防水荷物ケース セットとクイックリリース マウント.....	83
蓋なしストレージかごセットとクイックリリース マウント.....	84
標準フロント ケース / パワーパック フロント ケース.....	85
ハンドルバー アクセサリ取り付けベース.....	86
関節付きスマートフォンホルダー マウント.....	87
関節付きタブレットホルダー マウント.....	88
関節マウント付きクリップボード ケース.....	89
汎用水筒ホルダー マウント.....	90

# 安全上の注意事項

## ⚠ 警告

- これらの使用説明書の指示をすべてお読みください。これらの警告に従わない場合、重傷または死亡、物損につながる恐れがあります。
- これらの指示は、Segway Personal Transporter (PT) に同梱されている Segway PT ユーザーマニュアルおよび安全ビデオを補足するものです。PT に乗る前に、ユーザーマニュアルをお読みいただき内容を理解し、安全ビデオをご覧ください。
- 保守作業を行う前や、部品またはアクセサリを取り付ける前は常に、Segway PT をシャットダウンして交流電源コードのプラグを抜いてください。
- かごやケースに荷物を載せると、Segway PT の挙動が変化します。重量が重くなれば、変化も大きくなります。低速で走行し、これらの変化について習熟していただく必要があります。
- 防水荷物ケースセットおよび蓋なしストレージかごを取り付けると、搭乗者の動作範囲が狭くなり、PT の全幅が大きくなるなど、曲がったり坂道を登ったりする場合に搭乗者が横方向の安定性を維持しにくくなる場合があります。これにより、衝突のリスクが高まる恐れがあるほか、転倒、衝突、トラクションの喪失、安全シャットダウンあるいはその他の緊急時に脇へ降車することができなくなる恐れもあります。これらのアクセサリを装着して全幅が大きくなった PT の場合、出入り口の通り抜けが難しくなるほか、障害物にぶつかることによる転倒、衝突、トラクションの喪失のリスクが高まる場合もあります。これらの理由により、これらのアクセサリを装着した PT への搭乗中は、けがのリスクが高まる恐れがあります。
- アクセサリを取り付けた PT に乗る場合は、滑りやすい路面や障害物を避け、急な斜面を走行したり急旋回を行わないよう、特に注意してください。
- これらのアクセサリを取り付けた場合、Segway パーキングスタンドは使用しないでください。Segway パーキングスタンドは積荷のない PT のみの支持用として設計されており、アクセサリを取り付けた PT には対応していません。
- 荷物フレーム、プレート、ケース、かごに座ったり、その上に立ったりしないでください。開いたかご、荷物ケース、荷物フレームにお子様やペットを乗せないでください。
- PT はある程度の距離を自走しますので、けがや損傷の危険があるため、バランスモードの Segway PT から手を離さないでください。
- Segway 認定の部品、留め金具、アクセサリのみを使用し、所定のトルクで締め付けてください。
- すべての留め金具がしっかりと固定されているか定期的に確認してください。

## ⚠ 警告

搭乗者とすべてのアクセサリおよび搭乗者が携帯する、または PT に積載する荷物の合計重量が 118 kg (260 ポンド) を超えないよう注意してください。以下の重量制限を超えると、特に斜面や凸凹の路面の走行時に転倒やけがのリスクが高まります。

### 最大重量制限：

- 最大総積載重量 (搭乗者とすべての荷物)：**118 kg (260 ポンド)**
- LeanSteer の最大総積載重量 (フロント ケース、荷物、電話 / タブレット / クリップボードホルダー)：**5.4 kg (12 ポンド)**
- 各荷物フレームの最大総積載重量：**6.8 kg (15 ポンド)**

### 最大許容積載重量 (各アクセサリ)：

- 標準フロント ケース：3.4 kg (7.4 ポンド)
- パワーパックフロント ケース：2.5 kg (5.4 ポンド)
- 防水荷物ケースセット：3.2 kg (7.1 ポンド)
- 蓋なしストレージかごセット：4.6 kg (10.1 ポンド)
- スマートフォンホルダー マウント：0.23 kg (0.5 ポンド)
- タブレットホルダー マウント：0.45 kg (1 ポンド)
- クリップボードホルダー マウント：0.45 kg (1 ポンド)
- 汎用水筒マウント：1.23 kg (2.7 ポンド)

# i2 SE の下側の荷物フレーム

20412-00001

## 必要なツール

- 4 mm 六角レンチ
- 締め付けトルクレンチ

## 部品

- (2) i2 SE の下側の荷物フレーム
- (6) 28 mm 六角留め金具
- (6) 平ワッシャー

## 重要

本取り付けマニュアルの冒頭にあるすべての警告 (3 ページ) をお読みいただき、内容を理解してください。

## 取り付け

- ⚠ 1. Segway PT の電源がオフになっており、コンセントにつながっていないことを確認します。
2. 4 mm 六角レンチを使い、各ギアボックス カバーを固定している 3 本の留め金具を取り外して安全な場所に置いておきます。図 1 をご覧ください。
3. ギアボックス カバーの穴に合わせて i2 SE の下側の荷物フレームを置きます。
4. 付属の 28 mm 留め金具 3 本に付属の平ワッシャー 3 個を通し、さらに i2 SE の下側の荷物フレームとギアボックス カバーにも通し、ギアボックスに入れて締めます。留め金具を **6.0 N-m (4.4 ft-lbf)** のトルクで締め付けます。図 2 をご覧ください。

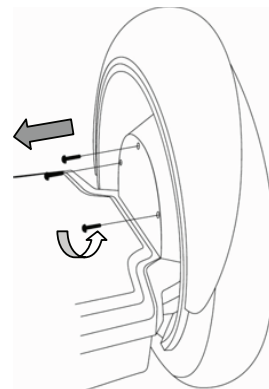


図 1. ギアボックス カバーの取り外し

## 取り外し

- ⚠ 1. Segway PT の電源がオフになっており、コンセントにつながっていないことを確認します。
2. 上記手順の逆の順番で、i2 SE の下側の荷物フレームを取り外します。

## 注意

重量制限および最大許容積荷重量 のセクション (3 ページ) を参照してからこのアクセサリを使用してください。

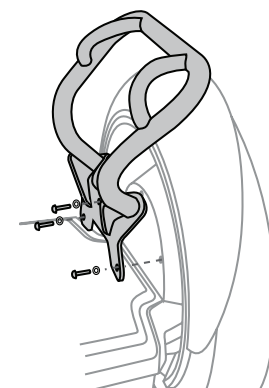


図 2. i2 の下側の荷物フレーム

# x2 SE サイド荷物フレーム

24018-00001

## 必要なツール

- 4 mm 六角レンチ
- 締め付けトルクレンチ

## 部品

- (1) x2 SE のサイド荷物フレーム

## x2 SE のフェンダー / フレームアセンブリの取り外し

- ⚠ 1. Segway PT の電源がオフになっており、コンセントにつながっていないことを確認します。
2. 4 mm 六角レンチを使って 3 個の 28 mm 留め金具を取り外し、安全な場所に置いておきます (図 3 を参照します)。
3. フェンダーとフレームアセンブリを持ち上げてホイールの取り付け面から汚れをきれいに取り除きます。
4. フェンダーからフェンダーフレームを取り外して、4 mm 六角レンチを使って 4 個の 18 mm 留め金具を取り外します (図 4 を参照します)。

## x2 SE サイド荷物フレームの取り付け

- ⚠ 1. Segway PT の電源がオフになっており、コンセントにつながっていないことを確認します。
2. 4 本の 18 mm 留め金具をフェンダーを通してサイド荷物フレームに入れて締めます。4 mm 六角レンチを使い、留め金具が安定するまで締め付けます。さらに半回転から1回転程度締め付けます。
3. 3 本の 28 mm の長い留め金具をフェンダーとフレームアセンブリを通して PT 上のギアボックスカバーに入れて締めます。
4. 4 mm の六角レンチを使って 6.0 N-m (4.4 ft-lbf) のトルクで締めます。

### 注意

重量制限および最大許容積荷重量のセクション (3 ページ) を参照してからこのアクセサリを使用してください。

### 重要

本取り付けマニュアルの冒頭にあるすべての警告 (3 ページ) をお読みいただき、内容を理解してください。

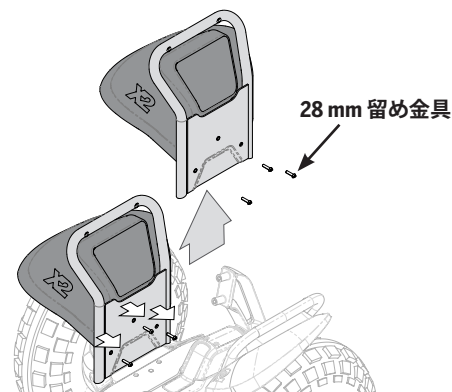


図 3. x2 SE フェンダーフレームの取り外し

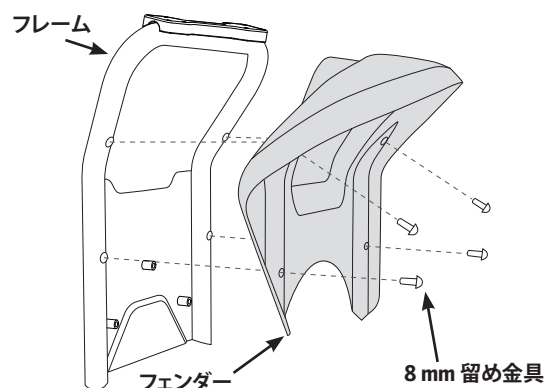


図 4. x2 SE サイド荷物フレームへのフェンダーの取り付け

# 荷物クランプおよび荷物ラック (i2 SE モデル用)

24078-00001 (荷物クランプ)、24042-00001 (荷物ラック)

## 必要なツール

- 4 mm 六角レンチ
- 締め付けトルクレンチ

## 部品

- |                   |                  |
|-------------------|------------------|
| (4) i2 SE 荷物クランプ  | (2) クイックリリースノブ   |
| (16) 35 mm 六角留め金具 | (4) 16 mm 六角留め金具 |
| (2) 荷物ラック         | (4) ナイロックナット     |
| (12) ラバーグロメット     |                  |

## 重要

本取り付けマニュアルの冒頭にあるすべての警告 (3 ページ) をお読みいただき、内容を理解してください。

## 取り付け

- ⚠ 1. Segway PT の電源がオフになっており、コンセントにつながっていないことを確認します。
2. 図 5 のように、6 個のラバーグロメットをそれぞれの荷物ラックに取り付けます。
3. 図 6 のように、2 本の 16 mm 留め金具と 2 個のナイロックナットを使って、1 つのクイックリリースノブをそれぞれの荷物ラックに取り付けます。留め金具を **6.0 N-m (4.4 ft-lbf)** のトルクで締め付けます。
4. 図のように、i2 SE の下側の荷物フレームに荷物クランプを置きます。ネジ付きクランプが、i2 SE の下側の荷物フレームの下側に来るようにしてください。図 7 をご覧ください。
5. 図 7 のように、荷物クランプに合わせて荷物ラックを置きます。
6. 付属の 35 mm 留め金具 8 本を荷物ラックを通して荷物クランプに入れて締めます。留め金具を **6.0 N-m (4.4 ft-lbf)** のトルクで締め付けます。

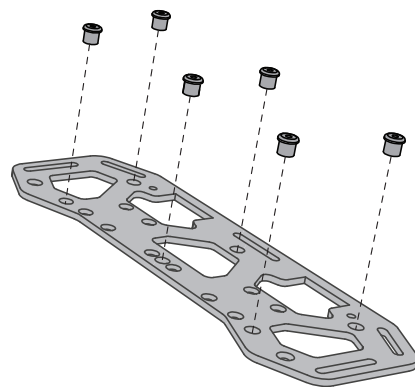


図 5. ラバーグロメットの取り付け

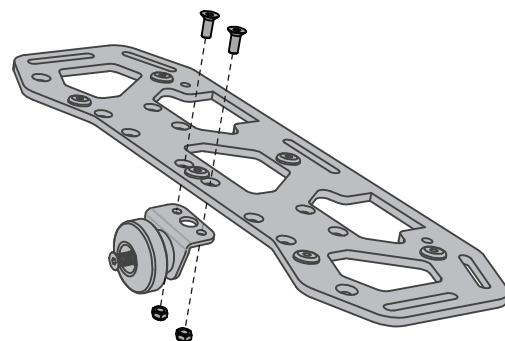


図 6. クイックリリースノブの取り付け

## 取り外し

- ⚠ 1. Segway PT の電源がオフになっており、コンセントにつながっていないことを確認します。
2. 上記手順の逆の順番で、荷物ラックと荷物クランプを取り外します。

## 注意

重量制限および最大許容積荷重量のセクション (3 ページ) を参照してからこのアクセサリを使用してください。

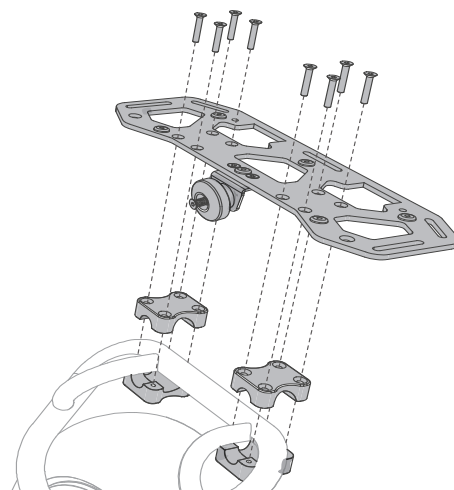


図 7. 荷物ラックへの荷物クランプの取り付け

# 荷物ラック (x2 SE モデル用)

24042-00001 (荷物ラック)

## 必要なツール

- 4 mm 六角レンチ
- 締め付けトルクレンチ

## 部品

- |                   |                  |
|-------------------|------------------|
| (2) 荷物ラック         | (4) 16 mm 六角留め金具 |
| (16) 35 mm 六角留め金具 | (4) ナイロック ナット    |
| (12) ラバー グロメット    |                  |
| (2) クイックリリース ノブ   |                  |

## 重要

本取り付けマニュアルの冒頭にあるすべての警告 (3 ページ) をお読みいただき、内容を理解してください。

## 取り付け

1. Segway PT の電源がオフになっており、コンセントにつながっていないことを確認します。
2. 図 8 のように、6 個のラバー グロメットをそれぞれの荷物ラックに取り付けます。
3. 図 9 のように、2 本の 16 mm 留め金具と 2 個のナイロック ナットを使って、1 つのクイック リリース ノブをそれぞれの荷物ラックに取り付けます。留め金具を **6.0 N-m (4.4 ft-lbf)** のトルクで締め付けます。
4. 図 10 のように、サイド荷物フレームに合わせて荷物ラックを置きます。
5. 付属の 35 mm 留め金具 8 本を荷物ラックを通してサイド荷物フレームに入れて締めます。留め金具を **6.0 N-m (4.4 ft-lbf)** のトルクで締め付けます。

## 取り外し

1. Segway PT の電源がオフになっており、コンセントにつながっていないことを確認します。
2. 上記手順の逆の順番で、荷物ラックを取り外します。

## 注意

重量制限および最大許容積荷重量 のセクション (3 ページ) を参照してからこのアクセサリを使用してください。

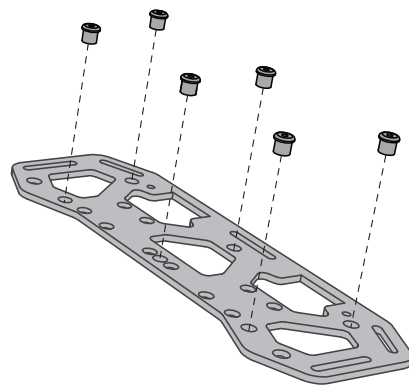


図 8. ラバー グロメットの取り付け

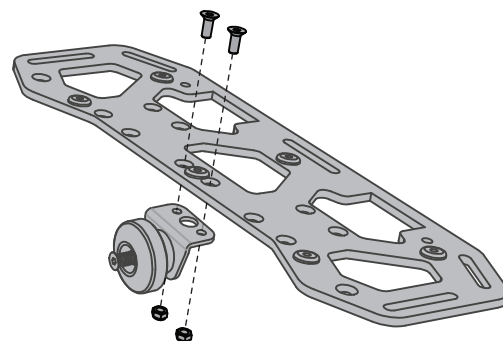


図 9. クイックリリース ノブの取り付け

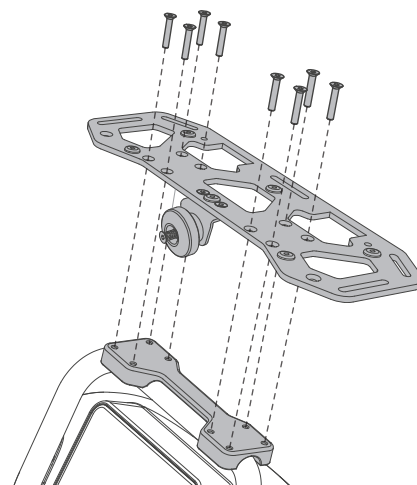


図 10. 荷物ラックの取り付け



# 防水荷物ケース セットとクイックリリース マウント

24044-00001 (防水荷物ケース)、24043-00001 (クイックリリース マウント)

## 必要なツール

- 4 mm 六角レンチ
- 締め付けトルクレンチ

## 部品

- |                      |                       |
|----------------------|-----------------------|
| (2) 防水ケース            | (8) ナイロック ナット         |
| (2) クイックリリース<br>マウント | (8) プラスチック ナット<br>カバー |
| (4) スペーサー            |                       |
| (8) 20 mm 六角留め金具     |                       |

## 重要

本取り付けマニュアルの冒頭にあるすべての警告 (3 ページ) をお読みいただき、内容を理解してください。

## 取り付け

- ⚠ 1. Segway PT の電源がオフになっており、コンセントにつながっていないことを確認します。
2. 図 11 のように、4 本の 20 mm 留め金具と、2 個のスペーサー (マウントとケースの間)、4 個のナイロック ナットを使って、クイックリリース マウントをそれぞれの防水ケースに取り付けます。留め金具を **11.0 N-m (8.1 ft-lbf)** のトルクで締め付けます。
3. 4 個のプラスチック ナット カバーを 4 個のナイロック ナットの上に取り付けます。
4. 図 12 のように、クイックリリース マウントを使って、防水ケースを荷物ラックに固定します。

## 注意

「カチッ」という音がして、クイックリリース マウントがクイックリリース ノブにしっかりはまったことを確認してください。

## 取り外し

- ⚠ 1. Segway PT の電源がオフになっており、コンセントにつながっていないことを確認します。
2. クイックリリース ノブを引っ張って、防水ケースを荷物ラックから傾け、防水ケースを荷物ラックから取り外します。

## 注意

重量制限および最大許容積荷重量のセクション (3 ページ) を参照してからこのアクセサリを使用してください。

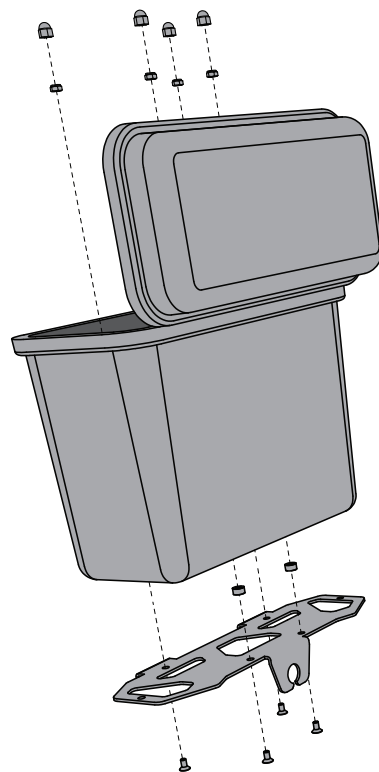


図 11. ケースへのクイックリリース マウントの取り付け

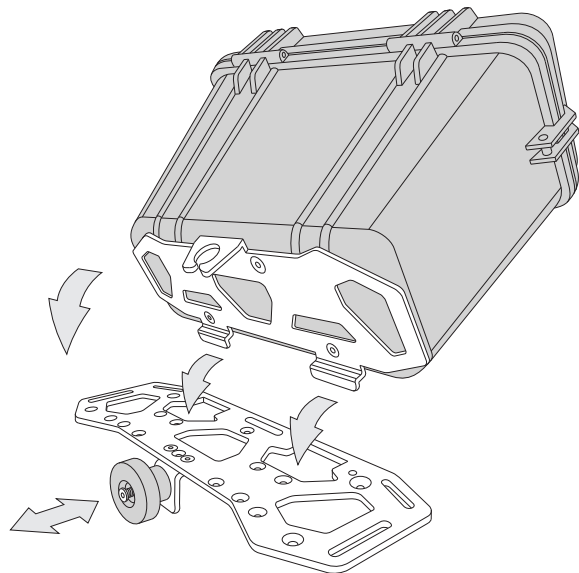


図 12. 荷物ラックへの防水ケースの固定

# 蓋なしストレージかごセットとクイックリリース マウント

24045-00001 (蓋なしストレージかごセット)、24043-00001 (クイックリリース マウント)

## 必要なツール

- 4 mm 六角レンチ
- 締め付けトルクレンチ

## 部品

- |                      |                       |
|----------------------|-----------------------|
| (2) 蓋なしストレージかご       | (8) ナイロック ナット         |
| (2) クイックリリース<br>マウント | (8) プラスチック ナット<br>カバー |
| (8) 12 mm 六角留め金具     |                       |

## 重要

本取り付けマニュアルの冒頭にあるすべての警告 (3 ページ) をお読みいただき、内容を理解してください。

## 取り付け

- ⚠ 1. Segway PT の電源がオフになっており、コンセントにつながっていないことを確認します。
2. 図 13 のように、4 本の 12 mm 留め金具と、4 個のナイロック ナットを使って、クイックリリース マウントをそれぞれの蓋なしストレージかごに取り付けます。留め金具を **6.0 N-m (4.4 ft-lbf)** のトルクで締め付けます。
3. 4 個のプラスチック ナット カバーを 4 個のナイロック ナットの上に取り付けます。
4. 図 14 のように、クイックリリース マウントを使って、蓋なしストレージかごを荷物ラックに固定します。

## 注意

「カチッ」という音がして、クイックリリース マウントがクイックリリース ノブ にしっかりはまったことを確認してください。

## 取り外し

- ⚠ 1. Segway PT の電源がオフになっており、コンセントにつながっていないことを確認します。
2. クイックリリース ノブ を引っ張って、蓋なしストレージかごを荷物ラックから傾け、蓋なしストレージかごを荷物ラックから取り外します。

## 注意

重量制限および最大許容積荷重量 のセクション (3 ページ) を参照してからこのアクセサリを使用してください。

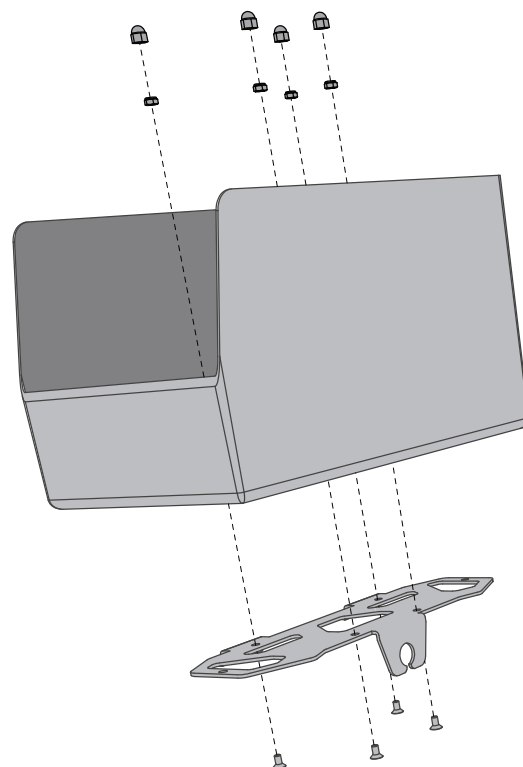


図 13. かごへのクイックリリース マウントの取り付け

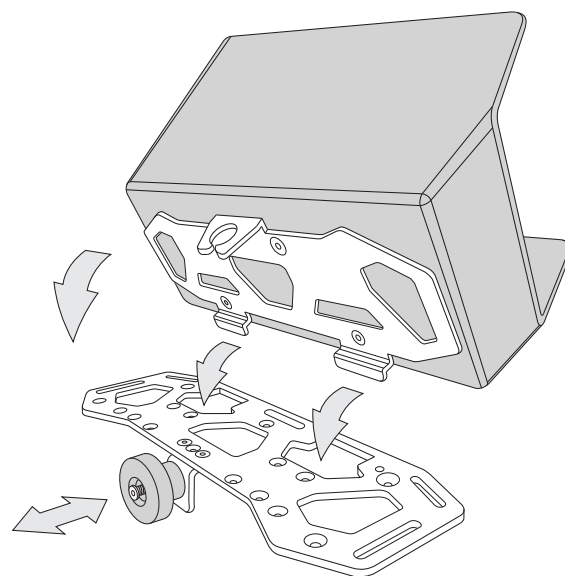


図 14. 荷物ラックへの蓋なしかごの固定



# 標準フロント ケース / パワーパックフロント ケース

24046-00001 (標準フロント ケース)、24047-00001 (パワーパックフロント ケース)

必要なツール	部品	重要
<ul style="list-style-type: none"><li>4 mm 六角レンチ</li><li>締め付けトルクレンチ</li></ul>	(1) フロント ケース (2) LeanSteer マウント (4) Oリング (2) 25 mm 六角留め金具	本取り付けマニュアルの冒頭にあるすべての警告 (3 ページ) をお読みいただき、内容を理解してください。

## 取り付け

- △ Segway PT の電源がオフになっており、コンセントにつながっていないことを確認します。
- 図 15 のように、2 本の 25 mm 留め金具、4 個の O リング (スタビライザー プレートの片側 2 個ずつ)、2 個の LeanSteer マウントを使って、フロント ケースを LeanSteer に取り付けます。留め金具を **11.0 N-m (8.1 ft-lbf)** のトルクで締め付けます。

### 注意

搭乗者に最も近い LeanSteer マウントには、面取りをした (丸い) エッジとねじ穴があります。  
パワーパック フロント ケースのみ: ハンドルバーから手を離さなくてもライト/クラクションのスイッチに手が届く場所にケースを取り付けるようにしてください。  
すべての留め金具がしっかりと固定されているか定期的に確認してください。

## 取り外し

- △ Segway PT の電源がオフになっており、コンセントにつながっていないことを確認します。
- 上記手順の逆の順番で、フロント ケースを LeanSteer から取り外します。

### 注意

重量制限および最大許容積荷重量のセクション (3 ページ) を参照してからこのアクセサリを使用してください。

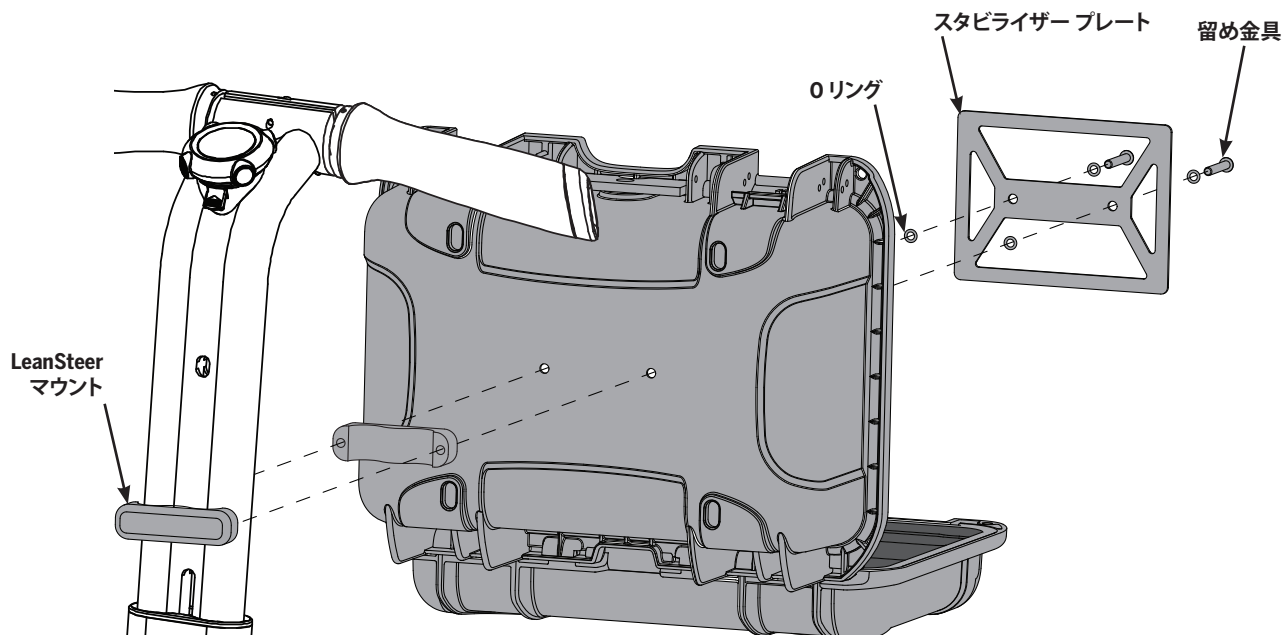


図 15. LeanSteer へのフロント ケースの取り付け

# ハンドルバー アクセサリ取り付けベース

24048-00001

必要なツール	部品
<ul style="list-style-type: none"><li>4 mm 六角レンチ</li><li>締め付けトルクレンチ</li></ul>	(1) 取り付けベース (2) 留め金具付き取り付けボール (3) 35 mm 六角留め金具 (3) スペーサー

## 重要

本取り付けマニュアルの冒頭にあるすべての警告 (3 ページ) をお読みいただき、内容を理解してください。

## 取り付け

- ⚠ Segway PT の電源がオフになっており、コンセントにつながっていないことを確認します。
- ハンドルバーから 3 本の標準留め金具を取り外します。
- 2 個の取り付けボールと留め金具 (図には記載されていない) を取り付けベースに取り付けます。留め金具を **6.0 N-m (4.4 ft-lbf)** のトルクで締め付けます。
- 図 16 のように、3 本の 35 mm 留め金具と、3 個のスペーサーを使って、取り付けベースをハンドルバーに取り付けます。留め金具を **11.0 N-m (8.1 ft-lbf)** のトルクで締め付けます。

### 注意

すべての留め金具がしっかりと固定されているか定期的に確認してください。

## 取り外し

- ⚠ Segway PT の電源がオフになっており、コンセントにつながっていないことを確認します。
- 上記手順の逆の順番で、取り付けベースをハンドルバーから取り外します。

### 注意

重量制限および最大許容積荷重量のセクション (3 ページ) を参照してからこのアクセサリを使用してください。

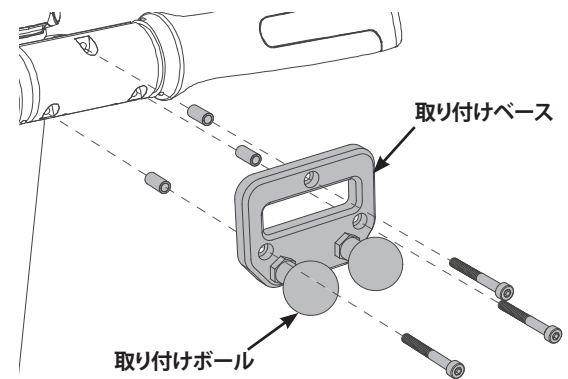


図 16. ハンドルバー アクセサリ取り付けベースの取り付け

# 関節付きスマートフォンホルダー マウント

24049-00001

## 必要なツール

- なし

## 部品

- (1) RAM® X-グリップ電話ホルダー
- (1) 3 インチのエクステンションアーム

## 重要

本取り付けマニュアルの冒頭にあるすべての警告 (3 ページ) をお読みいただき、内容を理解してください。

## 取り付け

- ⚠ Segway PT の電源がオフになっており、コンセントにつながっていないことを確認します。
- エクステンションアームを電話ホルダーの取り付けボールに取り付けてから、電話ホルダーとエクステンションアームを、ハンドルバーアクセサリ取り付けベースの取り付けボールの1つに取り付けます。
- 電話ホルダーをお好みの方向に向けてから、エクステンションアームをしっかり締め付けます。

## 注意

留め金具とエクステンションがしっかりと固定されているか定期的に確認してください。

## 取り外し

- エクステンションアームを緩めてから電話ホルダーとエクステンションアームをハンドルバーアクセサリ取り付けベースから取り外します。

## 注意

重量制限および最大許容積荷重量のセクション (3 ページ) を参照してからこのアクセサリを使用してください。

- ⚠ 乗っているときは携帯電話でメールを打たないでください。メールを使用すると、搭乗中の周辺に対する注意力が阻害され、転倒や衝突による重傷または死亡、物損のリスクが高まる恐れがあります。

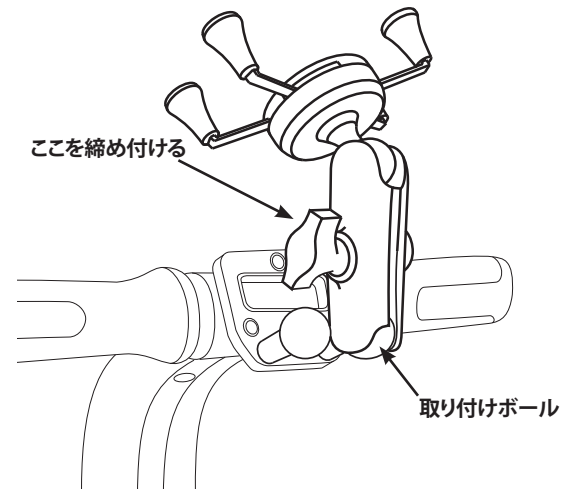


図 17. スマートフォンホルダーの取り付け

# 関節付きタブレットホルダー マウント

24052-00001

## 必要なツール

- なし

## 部品

- (1) RAM® X-グリップ タブレットホルダー
- (1) 5.25 インチのエクステンションアーム

## 重要

本取り付けマニュアルの冒頭にあるすべての警告 (3 ページ) をお読みいただき、内容を理解してください。

## 取り付け

- ⚠ Segway PT の電源がオフになっており、コンセントにつながっていないことを確認します。
- エクステンションアームをタブレットホルダーの取り付けボールに取り付けてから、タブレットホルダーとエクステンションアームを、ハンドルバーアクセサリ取り付けベースの取り付けボールの1つに取り付けます。
- タブレットホルダーをお好みの方向に向けてから、エクステンションアームをしっかりと締め付けます。

## 注意

留め金具とエクステンションがしっかりと固定されているか定期的に確認してください。

## 取り外し

- エクステンションアームを緩めてからタブレットホルダーとエクステンションアームをハンドルバーアクセサリ取り付けベースから取り外します。

## 注意

重量制限および最大許容積荷重量のセクション (3 ページ) を参照してからこのアクセサリを使用してください。

- ⚠ 乗っているときはタブレットを使用しないでください。使用すると、搭乗中の周辺に対する注意力が阻害され、転倒や衝突による重傷または死亡、物損のリスクが高まる恐れがあります。

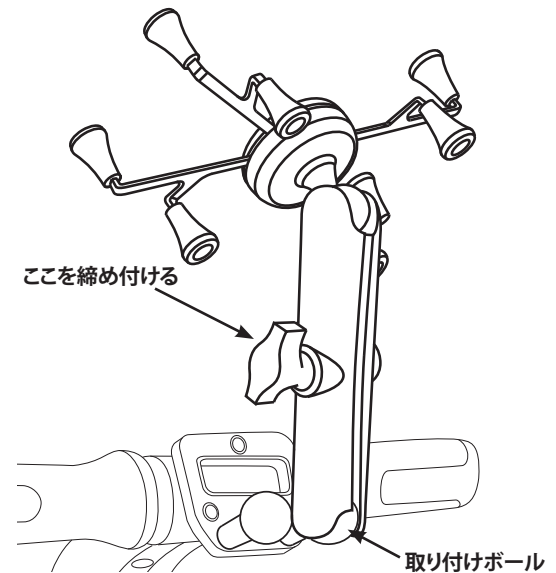


図 18. タブレットホルダーの取り付け

# 関節マウント付きクリップボード ケース

24050-00001

## 必要なツール

- 4 mm 六角レンチ
- 締め付けトルクレンチ

## 部品

- (1) クリップボード
- (1) 5.25 インチのエクステンションアーム
- (1) 1 インチのボール付きベースプレート
- (3) 16 mm 六角留め金具
- (3) ナイロックナット

## 重要

本取り付けマニュアルの冒頭にあるすべての警告 (3 ページ) をお読みいただき、内容を理解してください。

## 取り付け

- ⚠ 1. Segway PT の電源がオフになっており、コンセントにつながっていないことを確認します。
2. 図 19 に示すように、16 mm の止め金具とナイロック ナットを使用してベース プレートをクリップボードの裏側に取り付けます。留め金具を **6.0 N-m (4.4 ft-lbf)** のトルクで締め付けます。
3. エクステンション アームをベース プレートの取り付けボールに取り付けてから、クリップボードとエクステンションアームを、ハンドルバー アクセサリ取り付けベースの取り付けボールの1つに取り付けます。
4. クリップボードをお好みの方向に向けてから、エクステンションアームをしっかりと締め付けます。

## 注意

留め金具とエクステンションがしっかりと固定されているか定期的に確認してください。

## 取り外し

1. エクステンション アームを緩めてからクリップボードとエクステンションアームをハンドルバー アクセサリ取り付けベースから取り外します。

## 注意

重量制限および最大許容積荷重量のセクション (3 ページ) を参照してからこのアクセサリを使用してください。

- ⚠ 1. 乗っているときはクリップボード上にある文字を読まないでください。このような行為により 搭乗中の周辺に対する注意力が阻害され、転倒や衝突による重傷または死亡、物損のリスクが高まる恐れがあります。

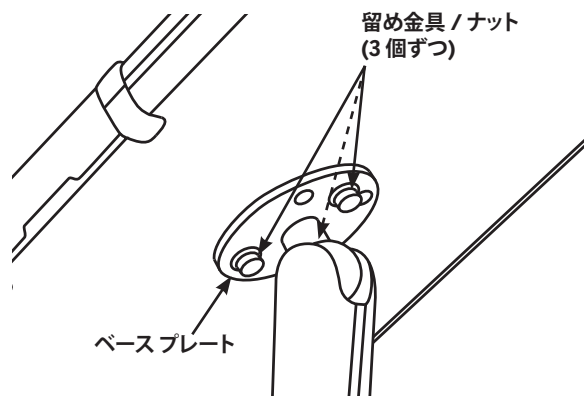


図 19. クリップボードへのベースプレートの取り付け

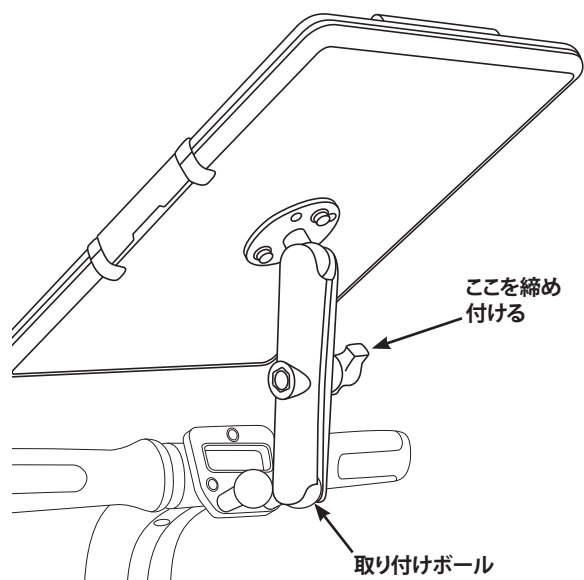


図 20. クリップボードの取り付け

# 汎用水筒ホルダー マウント

24051-00001

## 必要なツール

- 4 mm 六角レンチ
- 締め付けトルクレンチ
- 電動ドリル
- 6-8 mm ドリルビット

## 部品

- (1) 水筒ホルダー
- (2) ベルクロストラップ
- (2) 16 mm 留め金具
- (2) ナイロックナット
- (2) シーリングワッシャー

## 重要

本取り付けマニュアルの冒頭にあるすべての警告 (3 ページ) をお読みいただき、内容を理解してください。

## 取り付け

- △ Segway PT の電源がオフになっており、コンセントにつながっていないこと、LeanSteer に標準ケースまたはパワーパックケースが取り付けられていることを確認します。
- 水筒ホルダーをテンプレートとして、ホルダーを取り付ける場所の2つのドリル穴をマーキングします。6 ~ 8 mm のドリルビットを使って取り付け穴を開けます。

### 注意

パワーパックケースの内部コンポーネントに穴を開けないように注意してください。

- 図 21 のように、2 本の 16 mm 留め金具、2 個のシーリングワッシャー、2 個のナイロックナットを使って、水筒ホルダーをケースに取り付けます。留め金具を **6.0 N-m (4.4 ft-lbf)** のトルクで締め付けます。
- 水筒を 2 本のベルクロストラップでホルダーに固定します。

注意: すべての留め金具がしっかりと固定されているか定期的に確認してください。

## 取り外し

- △ Segway PT の電源がオフになっており、コンセントにつながっていないことを確認します。
- 水筒ホルダーをケースに固定している 2 本の 16 mm 留め金具を取り外します。
- 水密性を維持するために、2 本の 16 mm 留め金具を、2 個のシーリングワッシャーとナイロックナットでケースに再度取り付けます。

### 注意

重量制限および最大許容積荷重量のセクション (3 ページ) を参照してからこのアクセサリを使用してください。

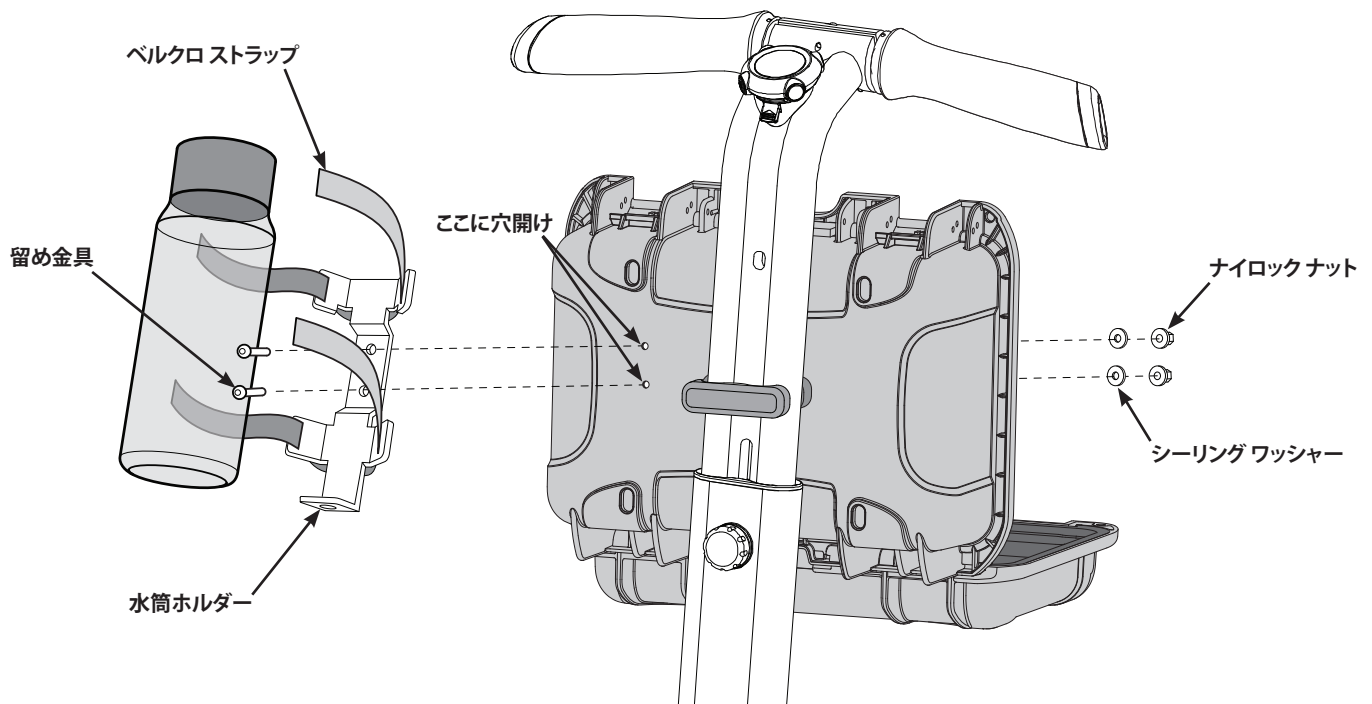


図 21. 汎用水筒ホルダー マウントの取り付け

**お問い合わせ**

部品が足りない場合や質問がある場合は、お住いの地域の Segway 認定ディーラーまでお問い合わせください。最寄りのディーラーを検索するには、[www.segway.com](http://www.segway.com) をご利用ください。この文書は、[www.segway.com](http://www.segway.com) でもご覧いただけます。

**限定保証**

本文書に記載されている部品は、Segway Personal Transporter Limited Warranty/Guarantee (パーソナルトランスポーター限定保証) の対象となる「アクセサリ」です。

# 目录

Table of Contents • Table des matières • Sommario •  
Inhaltsverzeichnis • Contenidos • 目次

English.....	2
Français.....	17
Italiano.....	32
Deutsch.....	47
Español.....	62
日本語.....	77
中文.....	92

安全.....	93
i2 SE 下部载货框架.....	94
x2 SE 载货侧框架.....	95
货物夹与货架 (i2 SE).....	96
货架 (x2 SE).....	97
防水货箱组件与快速释放底座.....	98
敞口储物箱组件与快速释放底座.....	99
标准前箱/电池前箱.....	100
操纵柄附件底座.....	101
铰接式智能手机架底座.....	102
铰接式平板电脑架底座.....	103
带有铰接底座的写字板.....	104
万能水瓶座.....	105



# 安全

## ⚠ 警告

- 所有驾驶员均应仔细阅读用户资料中的所有说明。忽视这些警告可能导致重伤、死亡或财物损失。
- 这些安装说明随附于与您的 Segway PT 一起交付的 Segway Personal Transporter (PT) 用户手册和安全视频。请务必在骑乘您的 PT 之前阅读并理解用户手册，并观看安全视频。
- 在维修或安装任何部件或配件时，务必要关闭 PT 并拔下直流电源线。
- 在货箱中携带货物会改变 Segway PT 的性能。货物重量越大，性能改变越多。您应在低速骑行中熟悉这些变化。
- 防水货箱组件和敞口储物箱组件有可能缩短骑行里程、增加 PT 的总宽度并降低驾驶员为维持侧向稳定性在转弯或上坡时倾斜的能力。这有可能增加碰撞的危险和/或妨碍驾驶员在摔倒、碰撞、失去动力、安全停车或其他紧急情况下从侧面下车。安装这些附件后，PT 的总宽度增加，通过门廊时会更加困难，有可能增加因撞上其他物体而摔倒、碰撞或失去动力的危险。因此，骑乘带有这些附件的 PT 有可能增加受伤的危险。
- 骑乘装有附件的 PT 时，驾驶员必须非常小心，避开容易打滑的表面和障碍物，不要通过陡坡，不要急转弯。
- 请勿在安装这些附件后使用 Segway 停车支架。Segway 停车支架仅用于支撑空载 PT，不能用于支撑装有附件的 PT。
- 请勿坐或站在载货框架、板、箱上。请勿将儿童或宠物放置于敞口箱、货箱中或载货框架上。
- 绝不要在 PT 处于平衡模式时将其松开，因为 PT 会自行行驶一段距离，有造成伤害或损坏的危险。
- 请仅使用 Segway 认可的零件、紧固件和附件，并拧紧至规定的扭矩。
- 请务必定期检查所有紧固件是否紧固。

## ⚠ 警告

您应检查并确认驾驶员与所有附件和货物（驾驶员携带的或 PT 上的）的总重量不超过 260 磅。超过以下重量限制会增加摔倒或受伤的危险（特别是骑行通过斜坡或崎岖表面时）。

### 重量限制：

- 最大总有效负荷（驾驶员加上所有货物的重量）：**118 公斤（260 磅）**
- 最大 Lean Steer 车架总有效负荷（包括前箱、任何货物和手机/平板电脑/写字板架）：**5.4 公斤（12 磅）**
- 每个载货框架的最大总有效负荷：**6.8 公斤（15 磅）**

### 最大允许货物重量（每个附件上）：

- 标准前箱：3.4 公斤（7.4 磅）
- 电池前箱：2.5 公斤（5.4 磅）
- 防水货箱组件：3.2 公斤（7.1 磅）
- 敞口储物箱组件：4.6 公斤（10.1 磅）
- 智能手机架底座：0.23 公斤（0.5 磅）
- 平板电脑架底座：0.45 公斤（1 磅）
- 写字板箱/底座：0.45 公斤（1 磅）
- 万能水瓶座：1.23 公斤（2.7 磅）

# i2 SE 下部载货框架

20412-00001

## 所需工具

- 4 毫米六角扳手
- 扭力扳手

## 零件

- (2) i2 SE 下部载货框架
- (6) 28 毫米六角螺丝
- (6) 平垫圈

## 重要

请务必阅读并理解本安装手册开头部分的所有警告（第 3 页）。

## 安装

- ⚠ 1. 确保 PT 已断电并已拔下电源插头。
2. 使用一把 4 毫米六角扳手拆下三个变速箱盖螺丝，将它们放置于安全位置。见图 1。
3. 放置 i2 SE 下部载货框架，使其与变速箱盖上的孔对齐。
4. 将随附的三个 28 毫米螺丝穿过三个随附的平垫圈、i2 SE 下部载货框架和变速箱盖 拧入变速箱。将螺丝拧紧至 6.0 牛米（4.4 英尺磅）。  
见图 2。

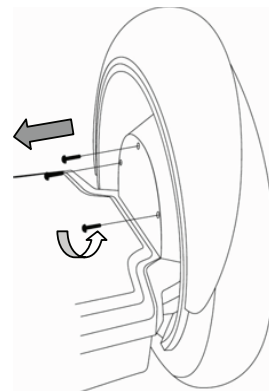


图 1. 拆卸变速箱盖

## 拆卸

- ⚠ 1. 确保 PT 已断电并已拔下电源插头。
2. 按照与上述程序相反的顺序拆下 i2 SE 下部载货框架。

## 注意

使用此附件前，请参见重量限制和最大允许货物重量部分（第 3 页）。

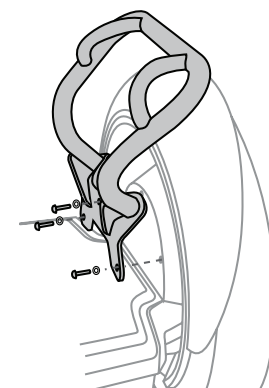


图 2. 安装 i2 下部载货框架

# x2 SE 载货侧框架

24018-00001

## 所需工具

- 4 毫米六角扳手
- 扭力扳手

## 零件

- (1) x2 SE 载货侧框架

## 重要

请务必阅读并理解本安装手册开头部分的所有警告（第 3 页）。

### 拆下 x2 SE 挡泥板/架组件：

1. 务必确保 Segway PT 电源插头已拔下并已断开电源连接。
2. 使用一把 4 毫米六角扳手拆下三个 28 毫米螺丝，将它们放置于安全位置（请参见图 3）。
3. 拿掉挡泥板和挡泥板架组件，并清理掉安装表面上的所有碎屑。
4. 若要从挡泥板架卸下挡泥板，请使用一把 4 毫米六角扳手卸下四颗 18 毫米螺丝（参见图 4）。

### 安装 x2 SE 载货侧框架：

1. 务必确保 Segway PT 电源插头已拔下并已断开电源连接。
2. 将四个 18 毫米螺丝穿过挡泥板拧入载货侧框架。使用一把 4 毫米六角扳手将螺丝拧到位。继续拧紧半圈至一整圈。
3. 将三颗 28 毫米长的螺丝穿过挡泥板和挡泥板架组件，安装到 PT 的变速箱盖上。
4. 使用一把 4 毫米六角扳手，紧固至 6.0 N·m (4.4 ft·lbf)。

#### 注意

使用此附件前，请参见重量限制和最大允许货物重量部分（第 3 页）。

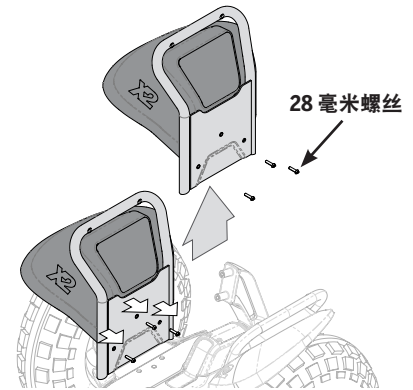


图 3. 拆下 x2 SE 挡泥板架

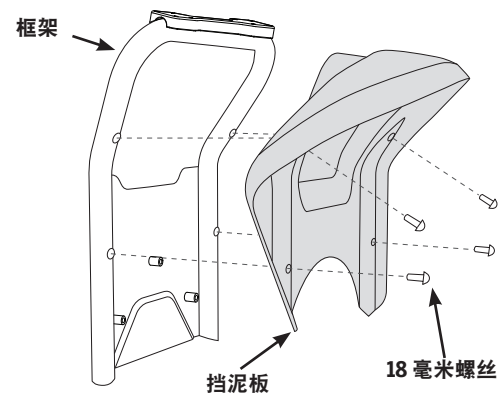


图 4. 将挡泥板安装至 x2 SE 载货侧框架

# 货物夹与货架（用于 i2 SE 型号）

24078-00001（货物夹），24042-00001（货架）

## 所需工具

- 4 毫米六角扳手
- 扭力扳手

## 零件

- |                |               |
|----------------|---------------|
| (4) i2 SE 货物夹  | (2) 快速释放钮     |
| (16) 35 毫米六角螺丝 | (4) 16 毫米六角螺丝 |
| (2) 货架         | (4) 尼龙自锁螺母    |
| (12) 橡胶套       |               |

## 重要

请务必阅读并理解本安装手册开头部分的所有警告（第 3 页）。

## 安装

1. 确保 PT 已断电并已拔下电源插头。
2. 如图 5 所示，将六只橡胶套安装至货架。
3. 如图 6 所示，使用两个 16 毫米螺丝和两个尼龙自锁螺母将一个快速释放钮安装至货架。将螺丝拧紧至 6.0 牛米（4.4 英尺磅）。
4. 如图所示，将货物夹定位于 i2 SE 下部载货框架上。带螺纹的货物夹应位于 i2 SE 下部载货框架的下侧。见图 7。
5. 如图 7 所示，放置货架，使其与货物夹对齐。
6. 将随附的八个 35 毫米螺丝穿过货架拧入货物夹。将螺丝拧紧至 6.0 牛米（4.4 英尺磅）。

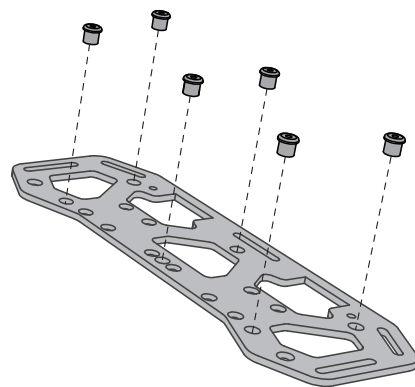


图 5. 安装橡胶套

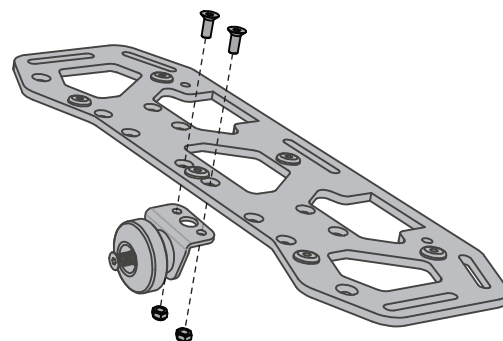


图 6. 安装快速释放钮

## 拆卸

1. 确保 PT 已断电并已拔下电源插头。
2. 按照与上述程序相反的顺序拆下货架和货物夹。

## 注意

使用此附件前，请参见重量限制和最大允许货物重量部分（第 3 页）。

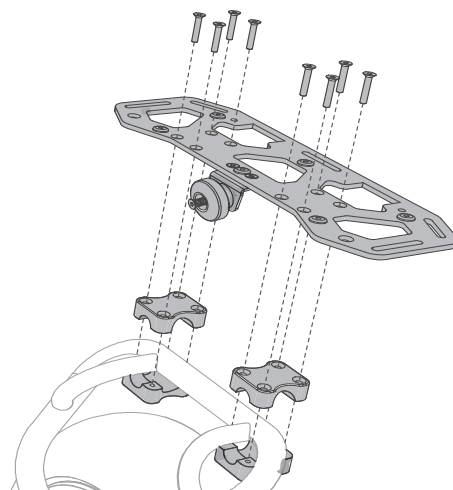


图 7. 将货物夹安装至货架

# 货架（用于 x2 SE 型号）

24042-00001（货架）

## 所需工具

- 4 毫米六角扳手
- 扭力扳手

## 零件

- |                |               |
|----------------|---------------|
| (2) 货架         | (4) 16 毫米六角螺丝 |
| (16) 35 毫米六角螺丝 | (4) 尼龙自锁螺母    |
| (12) 橡胶套       |               |
| (2) 快速释放钮      |               |

## 重要

请务必阅读并理解本安装手册开头部分的所有警告（第 3 页）。

## 安装

1. 确保 PT 已断电并已拔下电源插头。
2. 如图 8 所示，将六只橡胶套安装至货架。
3. 如图 9 所示，使用两个 16 毫米螺丝和两个尼龙自锁螺母将一个快速释放钮安装至货架。将螺丝拧紧至 6.0 牛米（4.4 英尺磅）。
4. 如图 10 所示，放置货架，使其与载货侧框架对齐。
5. 将随附的八个 35 毫米螺丝穿过货架拧入载货侧框架。将螺丝拧紧至 6.0 牛米（4.4 英尺磅）。

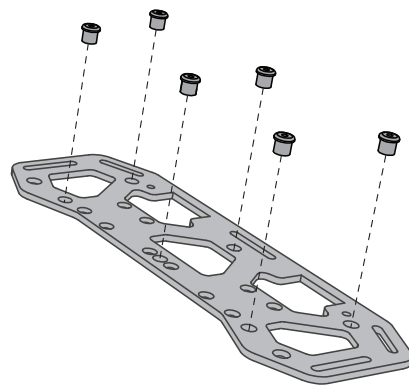


图 8. 安装橡胶套

## 拆卸

1. 确保 PT 已断电并已拔下电源插头。
2. 按照与上述程序相反的顺序拆下货架。

## 注意

使用此附件前，请参见重量限制和最大允许货物重量部分（第 3 页）。

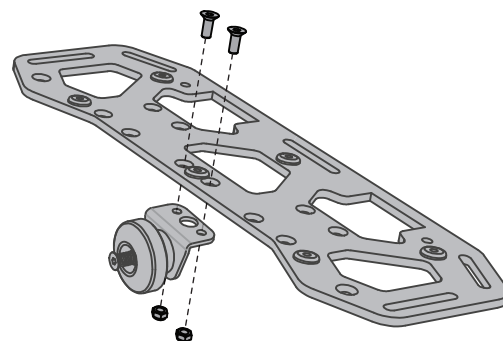


图 9. 安装快速释放钮

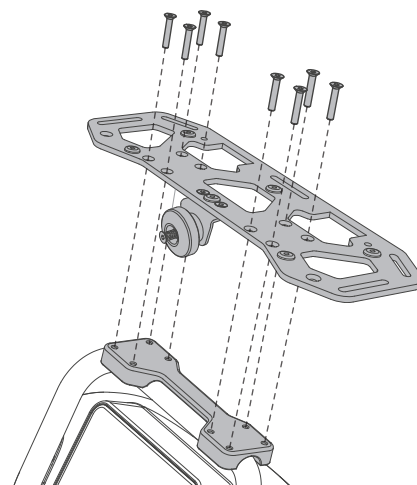


图 10. 安装货架

# 防水货箱组件与快速释放底座

24044-00001 (防水货箱), 24043-00001 (快速释放底座)

## 所需工具

- 4 毫米六角扳手
- 扭力扳手

## 零件

- |               |            |
|---------------|------------|
| (2) 防水箱       | (8) 尼龙自锁螺母 |
| (2) 快速释放底座    | (8) 塑料螺母盖  |
| (4) 隔套        |            |
| (8) 20 毫米六角螺丝 |            |

## 重要

请务必阅读并理解本安装手册开头部分的所有警告 (第 3 页)。

## 安装

1. 确保 PT 已断电并已拔下电源插头。
2. 如图 11 所示, 使用四个 20 毫米螺丝、两个隔套 (位于底座和箱体之间) 和四个尼龙自锁螺母将快速释放底座安装至防水箱。将螺丝拧紧至 11.0 牛米 (8.1 英尺磅)。
3. 将四个塑料螺母盖安装至四个尼龙自锁螺母上。
4. 如图 12 所示, 使用快速释放底座将防水箱固定至货架。

## 注意

请确保快速释放底座牢固扣上快速释放钮并发出“咔哒”声。

## 拆卸

1. 确保 PT 已断电并已拔下电源插头。
2. 拔出快速释放钮, 同时倾斜防水箱使其离开货架, 从而从货架上拆下防水箱。

## 注意

使用此附件前, 请参见重量限制和最大允许货物重量部分 (第 3 页)。

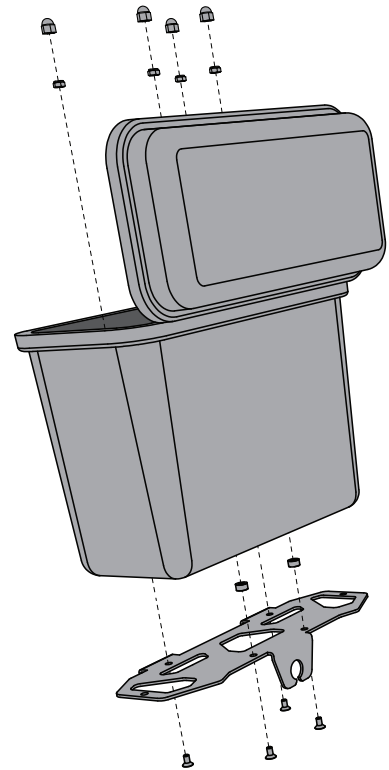


图 11. 将快速释放底座安装至防水箱

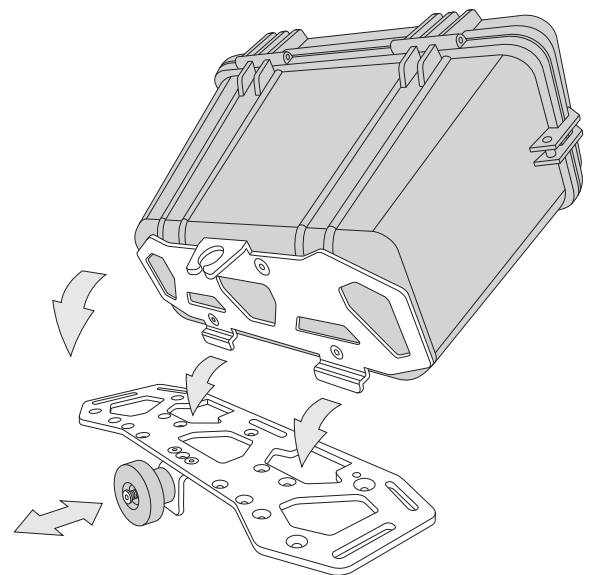


图 12. 将防水箱固定至货架

# 敞口储物箱组件与快速释放底座

24045-00001 (敞口储物箱组件), 24043-00001 (快速释放底座)

## 所需工具

- 4 毫米六角扳手
- 扭力扳手

## 零件

- |               |            |
|---------------|------------|
| (2) 敞口储物箱     | (8) 尼龙自锁螺母 |
| (2) 快速释放底座    | (8) 塑料螺母盖  |
| (8) 12 毫米六角螺丝 |            |

## 重要

请务必阅读并理解本安装手册开头部分的所有警告 (第 3 页)。

## 安装

1. 确保 PT 已断电并已拔下电源插头。
2. 如图 13 所示, 使用四个 12 毫米螺丝和四个尼龙自锁螺母将快速释放底座安装至敞口储物箱。将螺丝拧紧至 6.0 牛米 (4.4 英尺磅)。
3. 将四个塑料螺母盖安装至四个尼龙自锁螺母上。
4. 如图 14 所示, 使用快速释放底座将敞口储物箱固定至货架。

## 注意

请确保快速释放底座牢固扣上快速释放钮并发出“咔哒”声。

## 拆卸

1. 确保 PT 已断电并已拔下电源插头。
2. 拔出快速释放钮, 同时倾斜敞口储物箱使其离开货架, 从而从货架上拆下敞口储物箱。

## 注意

使用此附件前, 请参见重量限制和最大允许货物重量部分 (第 3 页)。

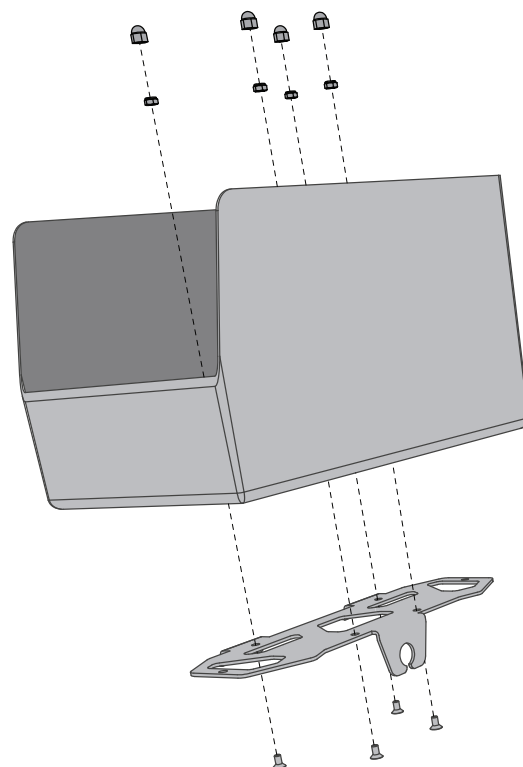


图 13. 将快速释放底座安装至敞口箱

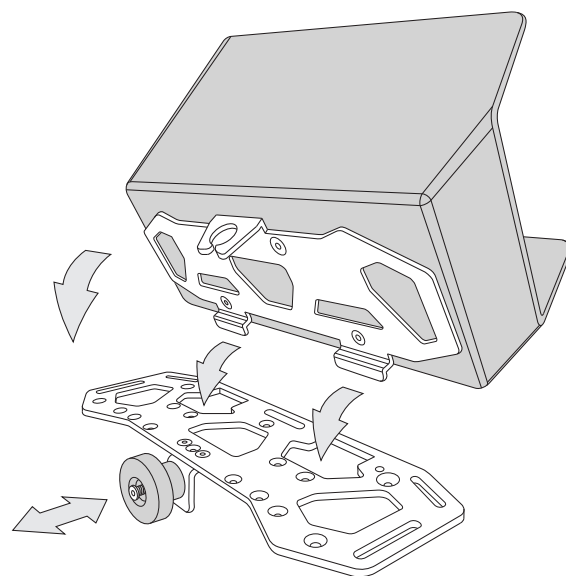


图 14. 将敞口箱固定至货架



# 标准前箱/电池前箱

24046-00001 (标准前箱), 24047-00001 (电池前箱)

## 所需工具

- 4 毫米六角扳手
- 扭力扳手

## 零件

- |                     |         |
|---------------------|---------|
| (1) 前箱              | (1) 稳定板 |
| (2) Lean Steer 车架底座 |         |
| (4) O 型圈            |         |
| (2) 25 毫米六角螺丝       |         |

## 重要

请务必阅读并理解本安装手册开头部分的所有警告 (第 3 页)。

## 安装

- ⚠ 1. 确保 PT 已断电并已拔下电源插头。
2. 如图 15 所示, 使用两个 25 毫米螺丝、四个 O 型圈 (稳定板两侧各两个) 和两个 Lean Steer 车架底座将前箱安装至 Lean Steer 车架。将螺丝拧紧至 **11.0 牛米 (8.1 英尺磅)**。

## 注意

靠近驾驶员的 Lean Steer 车架底座具有 (圆) 倒角和螺纹孔。

仅适用于电池前箱: 安装箱体时请确保您可以够及灯/喇叭开关, 而无需从操纵柄上移开双手。  
请务必定期检查所有紧固件是否紧固。

## 拆卸

- ⚠ 1. 确保 PT 已断电并已拔下电源插头。
2. 按照与上述程序相反的顺序从 Lean Steer 车架上拆下前箱。

## 注意

使用此附件前, 请参见重量限制和最大允许货物重量部分 (第 3 页)。

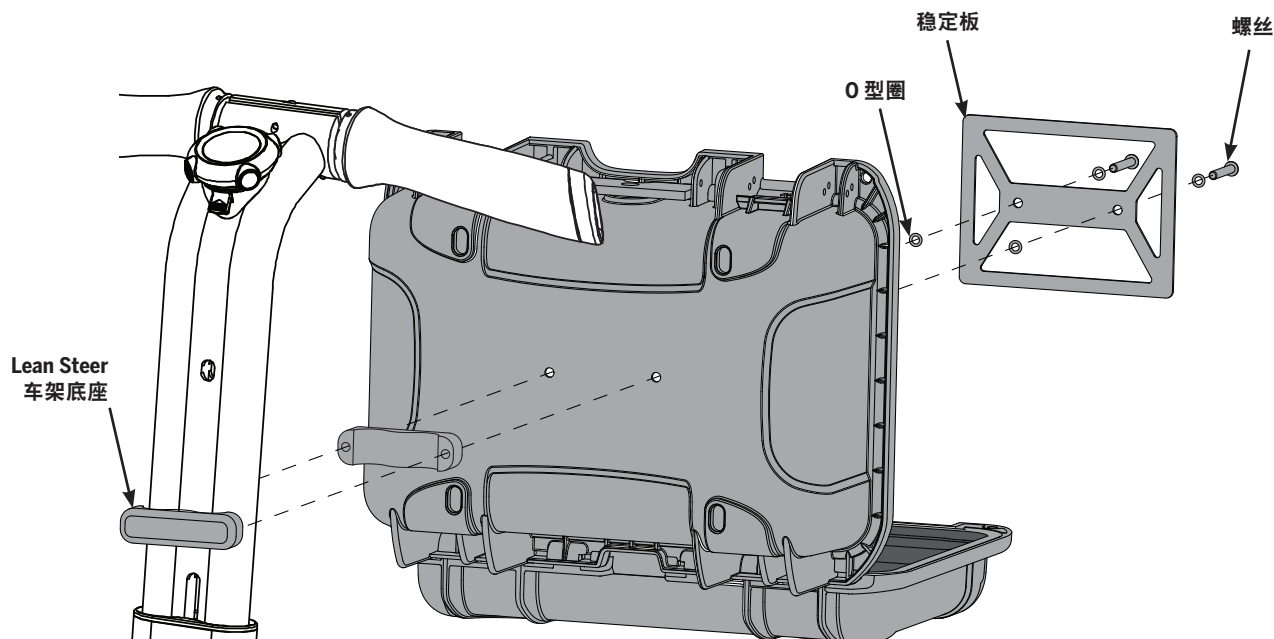


图 15. 将前箱安装至 Lean Steer 车架



# 操纵柄附件底座

24048-00001

## 所需工具

- 4 毫米六角扳手
- 扭力扳手

## 零件

- (1) 底座
- (2) 安装球头与螺丝
- (3) 35 毫米六角螺丝
- (3) 隔套

## 重要

请务必阅读并理解本安装手册开头部分的所有警告（第 3 页）。

## 安装

1. 确保 PT 已断电并已拔下电源插头。
2. 从操纵柄上拆下三个标准螺丝。
3. 将两个安装球头与螺丝（图中未显示）安装至底座。将螺丝拧紧至 **6.0 牛米（4.4 英尺磅）**。
4. 如图 16 所示，使用三个 35 毫米螺丝和三个隔套将底座安装至操纵柄。将螺丝拧紧至 **11.0 牛米（8.1 英尺磅）**。

## 注意

请务必定期检查所有紧固件是否紧固。

## 拆卸

1. 确保 PT 已断电并已拔下电源插头。
2. 按照与上述程序相反的顺序从操纵柄上拆下底座。

## 注意

使用此附件前，请参见重量限制和最大允许货物重量部分（第 3 页）。

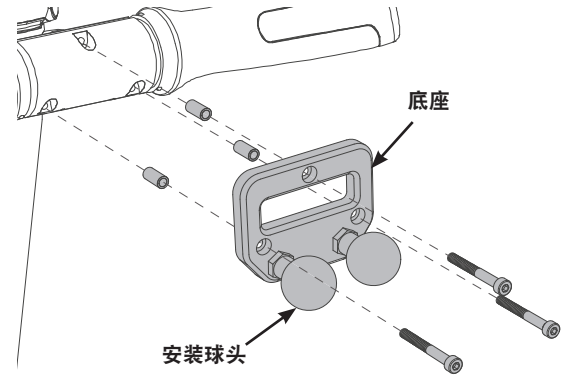


图 16. 安装操纵柄附件底座

# 铰接式智能手机架底座

24049-00001

## 所需工具

- 无

## 零件

- (1) RAM® X 支座手机架
- (1) 3 英寸延长杆

## 重要

请务必阅读并理解本安装手册开头部分的所有警告（第 3 页）。

## 安装

- ⚠ 1. 确保 PT 已断电并已拔下电源插头。
2. 将延长杆安装至手机架安装球头，然后将手机架和延长杆安装至操纵柄附件底座的一个安装球头。
3. 将手机架朝向您偏好的方向，然后将延长杆牢固拧紧。

### 注意

请务必定期检查所有螺丝和延长杆是否紧固。

## 拆卸

1. 松开延长杆，然后从操纵柄附件底座上拆下手机架和延长杆。

### 注意

使用此附件前，请参见重量限制和最大允许货物重量部分（第 3 页）。

- ⚠ 1. 请勿在骑行中发送短信。这会干扰您在骑行中观察周围情况的能力，从而增加因摔倒或碰撞而导致严重伤害、死亡或损坏财物的危险。

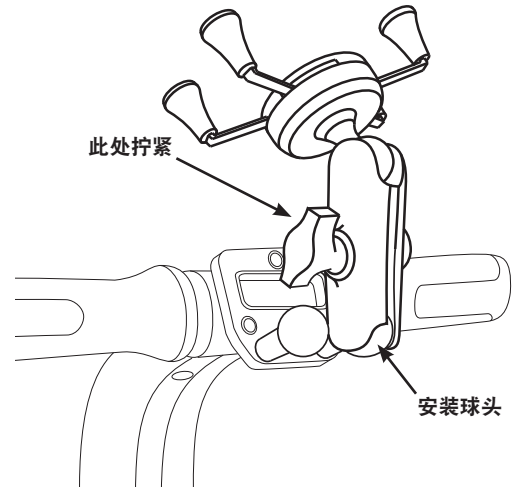


图 17. 安装智能手机架

# 铰接式平板电脑架底座

24052-00001

## 所需工具

- 无

## 零件

- (1) RAM® X 支座平板电脑架
- (1) 5.25 英寸延长杆

## 重要

请务必阅读并理解本安装手册开头部分的所有警告（第 3 页）。

## 安装

1. 确保 PT 已断电并已拔下电源插头。
2. 将延长杆安装至平板电脑架安装球头，然后将平板电脑架和延长杆安装至操纵柄附件底座的一个安装球头。
3. 将平板电脑架朝向您偏好的方向，然后将延长杆牢固拧紧。

## 注意

请务必定期检查所有螺丝和延长杆是否紧固。

## 拆卸

1. 松开延长杆，然后从操纵柄附件底座上拆下平板电脑架和延长杆。

## 注意

使用此附件前，请参见重量限制和最大允许货物重量部分（第 3 页）。

1. 请勿在骑行中使用平板电脑。这会干扰您在骑行中观察周围情况的能力，从而增加因摔倒或碰撞而导致严重伤害、死亡或损坏财物的危险。

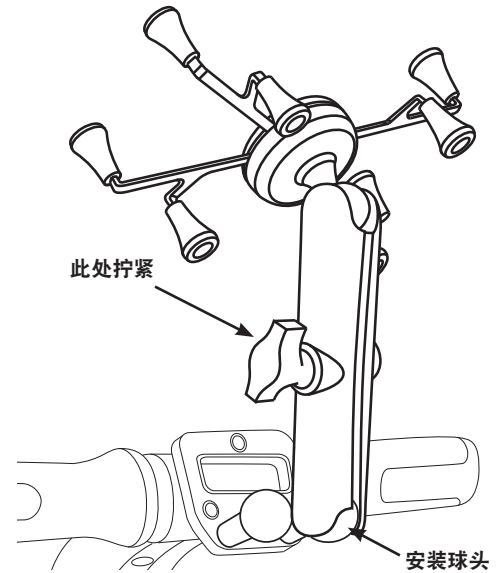


图 18. 安装平板电脑架

# 带有铰接底座的写字板

24050-00001

## 所需工具

- 4 毫米六角扳手
- 扭力扳手

## 零件

- (1) 写字板
- (1) 5.25 英寸延长杆
- (1) 带有 1 英寸球头的底座
- (3) 16 毫米六角螺丝
- (3) 尼龙自锁螺母

## 重要

请务必阅读并理解本安装手册开头部分的所有警告（第 3 页）。

## 安装

1. 确保 PT 已断电并已拔下电源插头。
2. 如图 19 所示，使用三个 16 毫米螺丝和三个尼龙自锁螺母将底座安装至写字板背面。将螺丝拧紧至 6.0 牛米（4.4 英尺磅）。
3. 将延长杆安装至底座安装球头，然后将写字板和延长杆安装至操纵柄附件底座的一个安装球头。
4. 将写字板朝向您偏好的方向，然后将延长杆牢固拧紧。

## 注意

请务必定期检查所有螺丝和延长杆是否紧固。

## 拆卸

1. 松开延长杆，然后从操纵柄附件底座上拆下写字板和延长杆。

## 注意

使用此附件前，请参见重量限制和最大允许货物重量部分（第 3 页）。

1. 请勿在骑行中阅读写字板上的内容。这会干扰您在骑行中观察周围情况的能力，从而增加因摔倒或碰撞而导致严重伤害、死亡或损坏财物的危险。

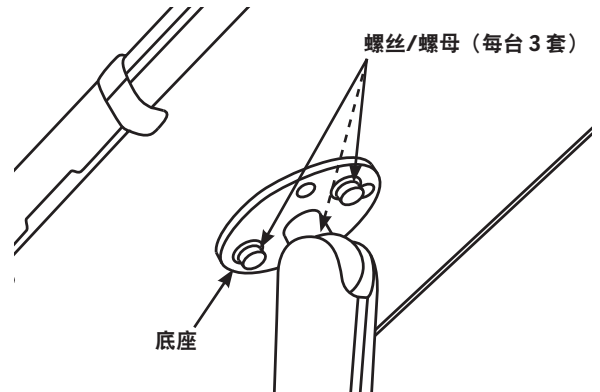


图 19. 将底座安装至写字板

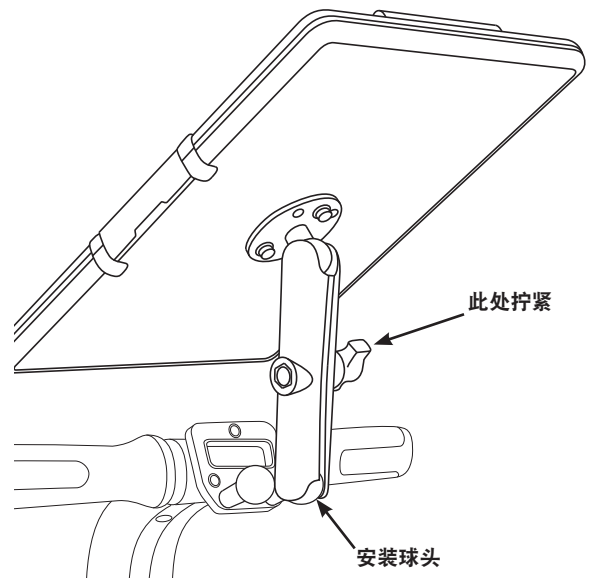


图 20. 安装写字板

# 万能水瓶座

24051-00001

所需工具	零件
<ul style="list-style-type: none"><li>• 4 毫米六角扳手</li><li>• 扭力扳手</li><li>• 电钻</li><li>• 6-8 毫米钻头</li></ul>	<ul style="list-style-type: none"><li>(1) 水瓶架</li><li>(2) 自粘带</li><li>(2) 16 毫米螺丝</li><li>(2) 尼龙自锁螺母</li><li>(2) 密封垫圈</li></ul>

## 重要

请务必阅读并理解本安装手册开头部分的所有警告（第 3 页）。

## 安装

1. 确保 PT 已断电并已拔下电源插头，并且标准箱或电池箱已安装至 Lean Steer 车架。
2. 以水瓶架为模板，标出安装水瓶架的两个钻孔位置。使用 6-8 毫米钻头钻出安装孔。

### 注意

请确保不要钻入任何电池箱内部组件。

3. 如图 21 所示，使用两个 16 毫米螺丝、两个密封垫圈和两个尼龙自锁螺母将水瓶架安装至箱体。将螺丝拧紧至 6.0 牛米（4.4 英尺磅）。
4. 使用两条自粘带将您的水瓶固定至水瓶架。

注意：请务必定期检查所有紧固件是否紧固。

## 拆卸

1. 确保 PT 已断电并已拔下电源插头。
2. 拆下将水瓶架固定于箱体的两个 16 毫米螺丝。
3. 为了保持防水性，请将两个 16 毫米螺丝和两个密封垫圈与尼龙自锁螺母重新装回箱体。

### 注意

使用此附件前，请参见重量限制和最大允许货物重量部分（第 3 页）。

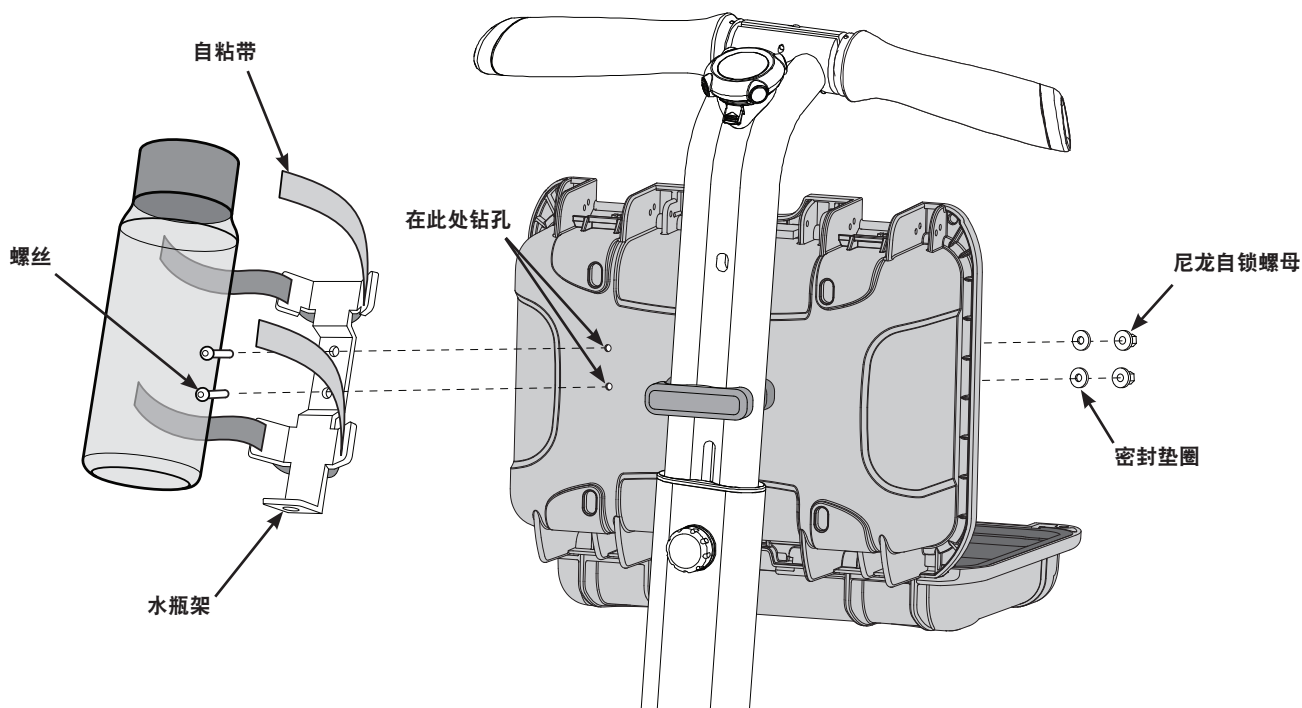


图 21. 安装万能水瓶座

**有疑问？**

如果您遗失了某个部件或有任何疑问，请联系您所在地区的 Segway 授权经销商。欲找到您附近的经销商，请登录 [www.segway.com](http://www.segway.com)。您也可在 [www.segway.com](http://www.segway.com) 网站获取本文件。

**有限质量保证/担保**

本文件中列出的零件属于“附件”，由 Segway Personal Transporter 提供有限质量保证/担保（文件随套件交付）。



